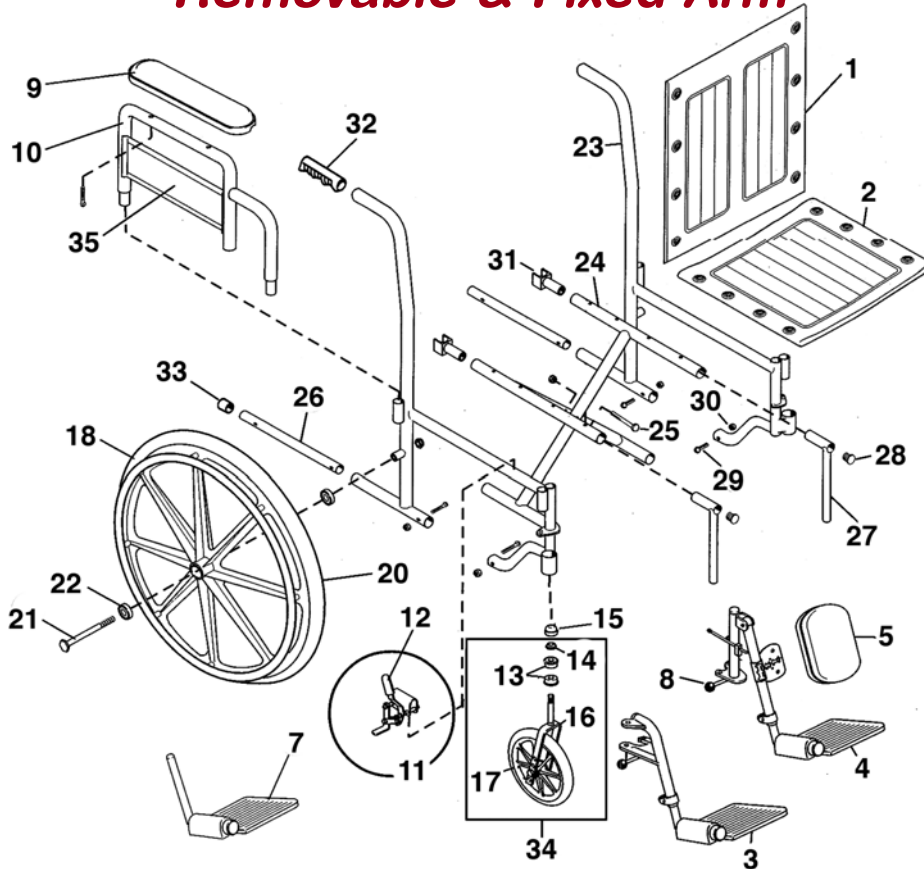




# E&J Vista Wheelchair— Removable & Fixed Arm

Everest & Jennings®



### Wheel Lock



AL-347R \$12.95  
AL-347L \$12.95

### Legrest



AL-408SR \$59.00  
AL-408SL \$59.00

### Footrest



AL-104R \$34.95  
AL-104L \$34.95

**When Ordering, Specify Left (L) or Right (R)—Sitting in Chair**

Fig.	Description	ALCO Part No.	Price Each
1	Standard Back, 16"W	AL-792*	\$37.95
	Standard Back, 18"W	AL-794*	\$37.95
2	Standard Seat, 16"W	AL-825*	\$37.95
	Standard Seat, 18"W	AL-827*	\$37.95
3	Footrest Assembly (Pair)	AL-64426	\$59.00
3	Footrest Assy w/432/Heel Loop (Pair)	AL-58073	\$89.95
4	Legrest Assembly (Pair)	AL-64417BK*	\$114.95
5	Legrest Panel - Black Base (Pair)	AL-66068BK*	\$24.95
8	Release, Left	AL-461L	\$5.95
	Release, Right	AL-461R	\$5.95
9	Full Length, Black Base	AL-135BK*	\$11.95
	Desk Length, Black Base	AL-145BK*	\$11.95
	Full Length, Plastic Grey (GY) or Black (BK)	AL-131	\$6.95
	Desk Length, Plastic Grey (GY) or Black (BK)	AL-141	\$6.95
10	Detach Fixed Height Arm Assembly Full, Black Padded Arm pads (Chrome)** (Pair)	AL-70042	\$59.95
	Desk, Black Padded Arm pads (Chrome)** (Pair)	AL-70045	\$59.95
N/S	Padded Arm Screw (10-32 x 1-1/4")	AL-45504	\$0.39
	Padded Arm Screw (10-24 x 1-1/4")	AL-67099	\$0.49
11	Wheel Lock, Push to Lock RT	AL-347R	\$12.95
	Wheel Lock, Push to Lock LF	AL-347L	\$12.95
12	Rubber Tip, Wheel Lock	AL-376B	\$1.45
13	Caster Stem Bearing	AL-261	\$2.99
14	Nut, 1/2"	AL-1374	\$0.95
15	Caster Stem Cap, Black	AL-78459	\$1.95
	Caster Stem Cap, Grey	AL-247	\$1.95
16	Fork, Chrome, 8" Casters Only	AL-2279	\$16.95
	Caster Wheels 8" x 1", Solid (Std) Black	AL-305MB	\$16.95
	Caster Wheels 8" x 1", Solid (Std) Grey	AL-305M	\$16.95

Fig.	Description	ALCO Part No.	Price Each
18	Wheel Blk (Intregal Handrim)	AL-78475	\$49.00
20	Tire (snap on) Flat Base 24"	AL-50156A	\$19.95
21	Axle 7/16" x 5-1/4" w/Locknut	AL-689	\$2.95
22	Bearing for 24" wheel	AL-264	\$3.95
22	Bearing 5/8 for Integral Handrim	AL-59705	\$9.95
22	Bearing 7/16 for Integral Handrim	AL-59705A	\$7.95
NS	Hub Cap for 24" wheels, Grey	AL-241	\$2.95
	Hub Cap for 24" wheels, Black	AL-241B	\$2.95
23	Sideframe, Detachable Arm, RT**	AL-58489	Call
	Sideframe, Detachable Arm, LF**	AL-58490	Call
	Sideframe, Fixed-Fixed, RT**	AL-58491	Call
24	Sideframe, Fixed-Fixed, LF**	AL-58492	Call
	Crossbrace, RT, 16***	AL-58493	Call
	Crossbrace, RT, 18***	AL-58494	Call
25	Crossbrace, LF, 16***	AL-58495	Call
	Crossbrace, LF, 18***	AL-58496	Call
	Crossbrace Bolt w/Nut	AL-45910	\$4.95
26	Bottom Inner Rail Kit	AL-45911	\$28.95
27	Slide 16" W & 18" W (VISTA) (Pair)	AL-49966	\$20.95
	Slide 16" W & 18" W (VISTA II) (Pair)	AL-75389	\$20.95
	Slide 16" W & 18" W (VISTA IC) (Pair)	AL-75390	\$20.95
28	Plug	AL-231B	\$0.95
31	SeatRail Guide, Fixed Arm, White	AL-182	\$1.95
	SeatRail Guide, Fixed Arm, Black	AL-182B	\$1.95
	SeatRail Guide, Detachable Arm, White	AL-184	\$1.95
31	SeatRail Guide, Detachable Arm, Black	AL-184B	\$1.95
	Grip, Black	AL-370B	\$1.95
32	Grip, Grey	AL-370	\$1.95
	Sleeve, Black	AL-1741B	\$1.95
33	Sleeve, Grey	AL-1741	\$1.95
34	Complete 8" Grey Caster Assembly	AL-126M	\$34.95
	Complete 8" Black Caster Assembly	AL-126MB	\$34.95
35	Arm Panel, Fixed Arm	AL-152	\$16.95
	Arm Panel, Detachable Full Arm	AL-158	\$16.95
	Arm Panel Detachable Desk Arm	AL-155	\$16.95

\*Specify color. See inside front cover for color choices

\*\*Serial number and/or model number needed

\*\*\*Must pull out spring lock to work

EP4