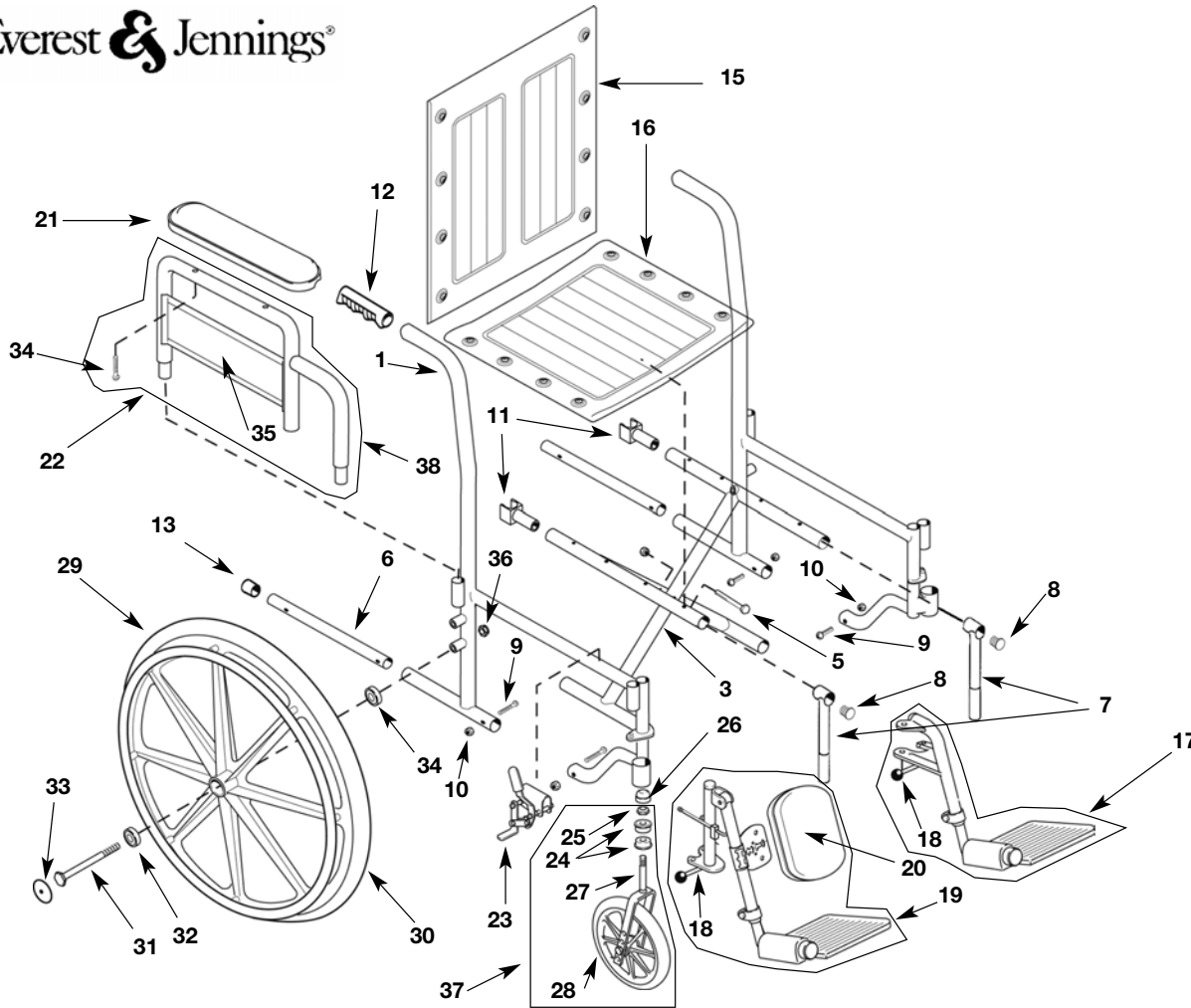


# E&J New Traveler—Removable Arm

Everest & Jennings®

Buy 11  
**FREE**  
Get 1



### Wheel Lock



### Legrest



### Footrest



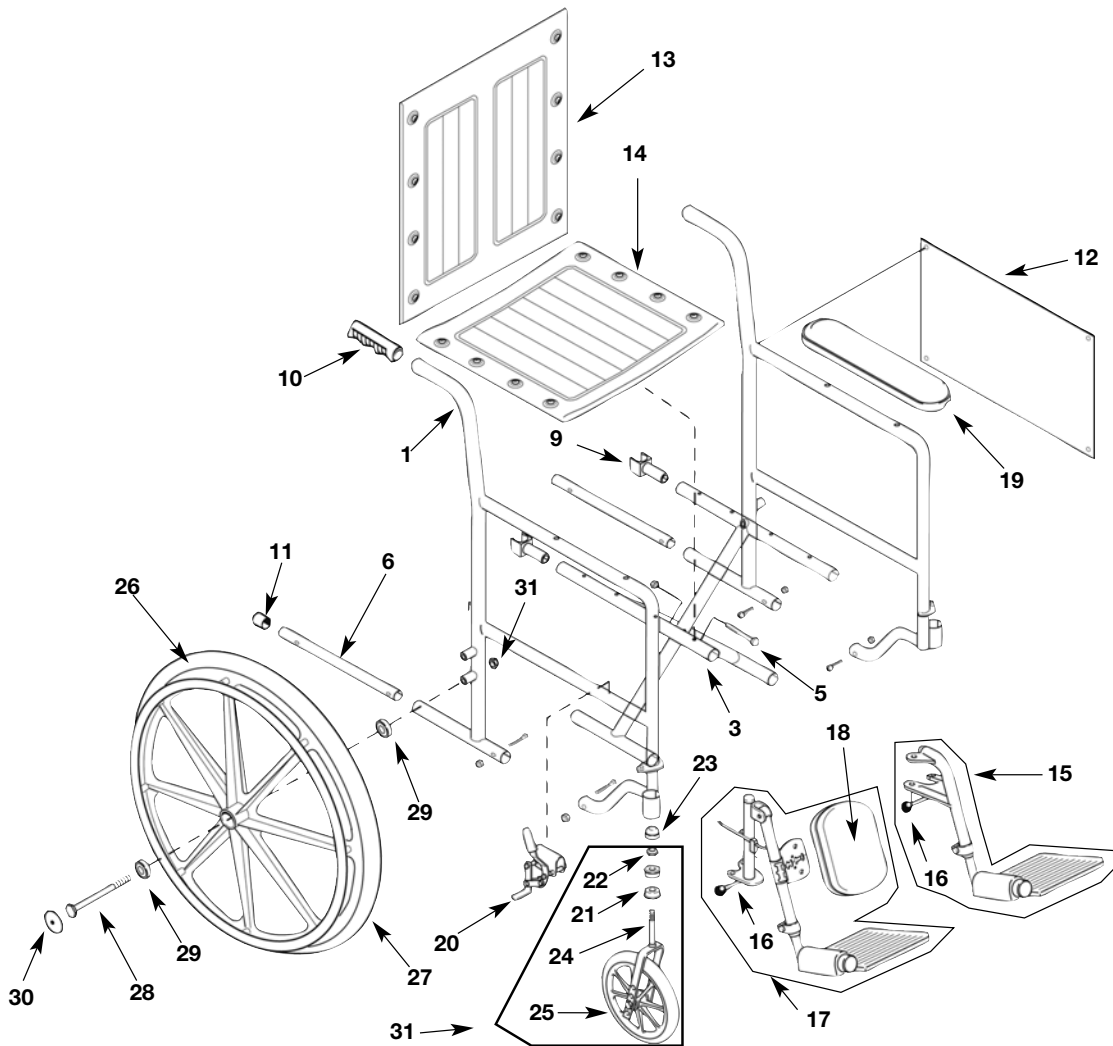
## When Ordering, Specify Left (L) or Right (R)—Sitting in Chair

Fig	Description	ALCO Part No.	Price Each	Fig	Description	ALCO Part No.	Price Each	Fig	Description	ALCO Part No.	Price Each
1	Sideframe, 16" & 18"W (Pair)**	AL-65984	Call	17	Footrest Assembly (Pair)	AL-64426	\$59.00	25	Nut, 1/2"	AL-1374	\$0.95
3	Crossbrace, 16"W (Pair)**	AL-65981	Call	18	Release Assembly, Left	AL-461L	\$5.95	26	Caster Stem Cap, Black	AL-78459	\$1.95
	Crossbrace, 18"W (Pair)**	AL-65982	Call	19	Release Assembly, Right	AL-461R	\$5.95		Caster Stem Cap, Grey	AL-247	\$1.95
	Crossbrace, 20"W (Pair)**	AL-65983	Call	20	Legrest Assembly (Pair)	AL-64417BK*	\$114.95		Caster Stem Cap, New Style fits inside tube	AL-70120	\$4.95
5	Crossbrace Bolt w/Nut	AL-45910	\$4.95	21	Legrest Panel, Black Base	AL-66068BK*	\$24.95	27	Fork, Chrome, 8" Casters Only	AL-2279	\$16.95
6	Bottom Inner Rail Kit	AL-45911	\$28.95	22	Armpad, Upholstery Full Length, Black Base	AL-135BK*	\$11.95	28	Caster Wheels 8" x 1", Solid (Std) Black	AL-305MB	\$16.95
7	Slide 16"W & 18"W (Pair)	AL-49966	\$20.95		Desk Length, Black Base	AL-145BK*	\$11.95		Grey	AL-305M	\$16.95
	Slide 20"W, 22"W & 24"W (Telescoping) (Pair)	AL-49967	\$17.00	23	Padded Arm Screw (10-24 x 1-1/4")	AL-67099	\$0.49	29	Wheel Blk (integral handrim)	AL-73334	\$69.00
8	Plug	AL-231B	\$0.95	24	Detach Fixed Height Arm Assembly			30	Tire (snap on) Flat Base 24"	AL-50156A	\$19.95
9	Screw	AL-1070	\$0.95	25	Full, Black Padded Armpads (Chrome)** (Pair)	AL-70042	\$59.95	31	Axle w/Locknut	AL-689	\$2.95
10	Nut	AL-1071	\$0.95	26	Desk, Black Padded Armpads (Chrome)** (Pair)	AL-70045	\$59.95	32	Bearing for 24" wheel	AL-264	\$3.95
11	Seat Rail Guide, White	AL-184	\$1.95	27	Wheel Lock, Push to Lock RT	AL-347R	\$12.95		Bearing 5/8 for Integral Rim	AL-59705	\$9.95
	Seat Rail Guide, Black	AL-184B	\$1.95	28	Wheel Lock, Push to Lock LF	AL-347L	\$12.95		Bearing 7/16 for Integral Rim	AL-59705A	\$7.95
12	Grip, Black	AL-370B	\$1.95	29	Caster Stem Bearing	AL-261	\$2.99	33	Hub Cap for 24" wheels, Grey	AL-241	\$2.95
	Grip, Grey	AL-370	\$1.95	30	Caster Stem Bearing, New Style, No Flange	AL-252	\$4.95		Hub Cap for 24" wheels, Black	AL-241B	\$2.95
13	Sleeve, Black	AL-1741B	\$1.95	31				34	Padded Arm Screw (10-32x1/4")	AL-45504	\$0.39
	Sleeve, Grey	AL-1741	\$1.95	32				35	Side Panel Det. Desk Length	AL-155	\$16.95
15	Narrow Back 16"W	AL-792*	\$37.95	33				36	Side Panel Det. Full Length	AL-158	\$16.95
	Standard Back 18"W	AL-794*	\$37.95	34				37	Nut 7/16	AL-1400	\$0.90
	Wide Back 20"W	AL-795*	\$46.95	35				38	8" Grey Caster Assy Complete	AL-126M	\$34.95
	Wide Back 22"W	AL-796*	\$59.95	36					8" Black Caster Assy Complete	AL-126MB	\$34.95
16	Narrow Seat 16"W	AL-825*	\$37.95	37					Spring Lock	AL-45728	\$6.95
	Standard Seat 18"W	AL-827*	\$37.95								
	Wide Seat 20"W	AL-828*	\$46.95								
	Wide Seat 22"W	AL-829*	\$59.95								

\*Specify color. See inside front cover for color choices

\*\*Serial number and/or model number needed

\*\*\*Must pull out spring lock to work



**Wheel Lock**

AL-349R \$12.95  
AL-349L \$12.95

**Legrest**

AL-408SR \$59.00  
AL-408SL \$59.00

**Footrest**

AL-104R \$34.95  
AL-104L \$34.95

**When Ordering, Specify Left (L) or Right (R)—Sitting in Chair**

Fig	Description	ALCO Part No.	Price Each
1	Sideframe, 16" & 18" W (Pair)**	AL-65980	Call Pr.
3	Crossbrace, 16" W (Pair)**	AL-65981	Call Pr.
3	Crossbrace, 18" W (Pair)**	AL-65982	Call Pr.
3	Crossbrace, 20" W (Pair)**	AL-65983	Call Pr.
5	Crossbrace Bolt	AL-44910E	\$0.90
5	Locknut	AL-2278	\$0.90
6	Bottom Inner Rail Kit	AL-45911	\$28.95
9	Seat Rail Guide, White	AL-182	\$1.95
9	Seat Rail Guide, Black	AL-182B	\$1.95
11	Sleeve, Black	AL-1741B	\$1.95
11	Sleeve, Grey	AL-1741	\$1.95
10	Grip, Black	AL-370B	\$1.95
10	Grip, Grey	AL-370	\$1.95
12	Side Panel, Fixed Arm	AL-152	\$16.95
13	Narrow Back 16" W	AL-792*	\$37.95
13	Standard Back 18" W	AL-794*	\$37.95
13	Wide Back 20" W	AL-795*	\$46.95
13	Wide Back 22" W	AL-796*	\$59.95

Fig	Description	ALCO Part No.	Price Each
14	Narrow Seat 16" W	AL-825*	\$37.95
14	Standard Seat 18" W	AL-827*	\$37.95
14	Wide Seat 20" W	AL-828*	\$46.95
14	Wide Seat 22" W	AL-829*	\$59.95
15	Footrest Assembly, (Pair)	AL-64426	\$59.00 Pr.
15	Footrest Assy w/heel Loop (Pair)	AL-58073	\$89.95 Pr.
16	Release Assembly, Left	AL-461L	\$5.95
16	Release Assembly, Right	AL-461R	\$5.95
17	Legrest Assembly, (Pair)	AL-64417BK*	\$114.95 Pr.
18	Legrest Panel, Black Base	AL-66068BK*	\$24.95 Pr.
19	Armpad, Uph., Full Length with Black Base	AL-135BK*	\$11.95
N/S	Padded Arm Screw (10-32 x 1-1/4")	AL-45504	\$0.39
N/S	Padded Arm Screw (10-24 x 1-1/4")	AL-67099	\$0.49
20	Wheel Lock, Push to Lock Fixed Arm, RT	AL-349R	\$12.95
20	Wheel Lock, Push to Lock Fixed Arm, LF	AL-349L	\$12.95

Fig	Description	ALCO Part No.	Price Each
21	Caster Stem Bearing	AL-261	\$2.99
21	Caster Stem Bearing New Style, No Flange	AL-252	\$4.95
22	Nut, 1/2"	AL-1374	\$0.95
23	Caster Stem Cap, Black	AL-78459	\$1.95
23	Caster Stem Cap, Grey	AL-247	\$1.95
23	Caster Stem Cap, New Style, fits inside tube	AL-70120	\$4.95
24	Fork, Chrome, 8" Casters Only	AL-2279	\$16.95
25	Caster Wheels 8" x 1", Solid (Std) Black Hub	AL-305MB	\$16.95
25	Caster Wheels 8" x 1", Solid Grey Hub	AL-305M	\$16.95
26	Wheel Blk (integral handrim)	AL-78475	\$49.00
27	Tire (snap on) Flat Base 24"	AL-50156A	\$19.95
28	Axle with Locknut	AL-686	\$2.95
29	Bearing for 24" wheel, 7/16"	AL-264	\$3.95
29	Bearing 5/8" for Integral Rim	AL-59705	\$9.95
29	Bearing 7/16" for Integral Rim	AL-59705A	\$7.95
30	Hub Cap for 24" wheel, Grey	AL-241	\$2.95
30	Hub Cap for 24" wheel, Blk	AL-241B	\$2.95
31	8" Grey, Caster Assy Comp.	AL-126M	\$34.95
31	8" Black, Caster Assy Comp.	AL-126MB	\$34.95

\*Specify color. See inside front cover for color choices.

\*\*Serial number and/or model number needed