

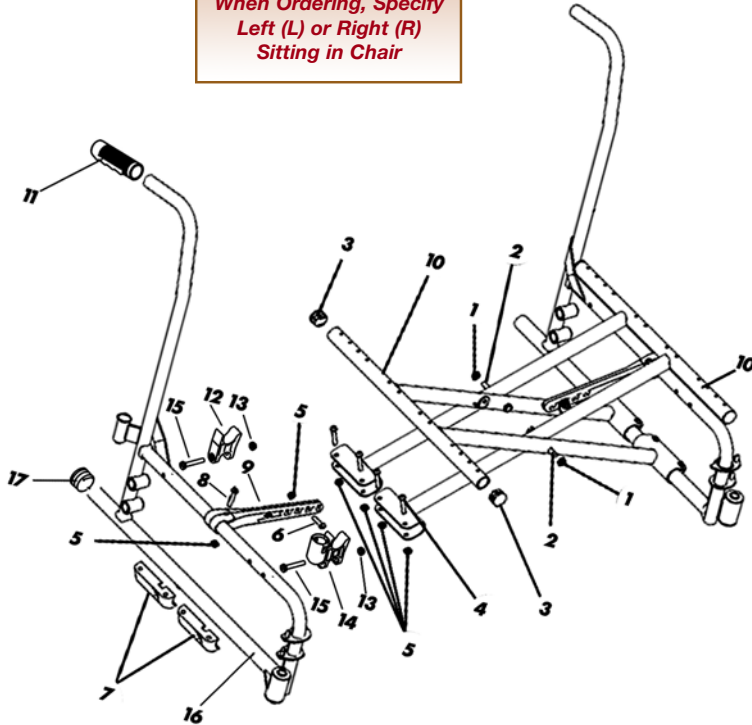


Tracer IV (After 10/1/03) by Invacare

NOTE: For serial numbers beginning with 03J and later (03J, 03K, 03L, 04A, etc.)
For serial numbers 03I and earlier (03I, 03H, 03G, etc.) please call.



When Ordering, Specify
Left (L) or Right (R)
Sitting in Chair



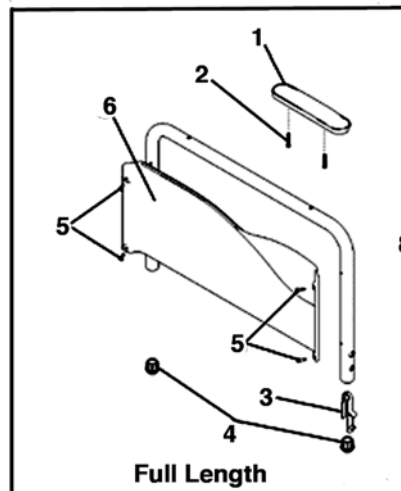
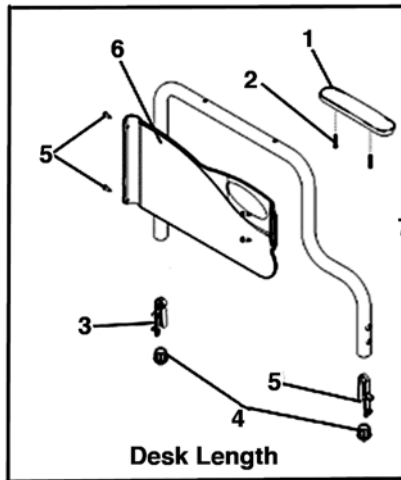
Crossbraces, Frame & Hardware

Item No.	Description	ALCO Part No.	Price Each
1	Locknut	AL-2209	\$7.95
2	Screw, Hex Head Cap	AL-45874	\$7.95
3	Plug Button (7/8")	AL-231B	\$0.95
4	Screw, Button Head Cap	AL-64579	\$8.95
5,13	Locknut	AL-53240	\$8.95
6	Screw, Socket Button Head	AL-64623	\$7.95
7	Clamp, Saddle	AL-64624	\$8.95
8	Screw, Button Head Socket	AL-64625	\$8.95
9	Link, Pivot (18-24"W), Black	AL-64626	\$8.95
10	Crossbrace, (18")	AL-64627	Call
	Crossbrace, (20")	AL-64628	Call
	Crossbrace, (22")	AL-64629	Call
	Crossbrace, (24")	AL-64630	Call
N/S	Hardware, X-Brace 18-24"	AL-64631	Call
11	Hand Grip	AL-370B	\$1.95
12	H-Block	AL-64618	\$1.95
14	H Block w/Socket Cup	AL-64617	\$1.95
15	Screw, Hex Head Cap	AL-64633	\$8.95
16	Frame Side, Left	AL-64634	Call
	Frame Side, Right	AL-64635	Call
17	Plug Button, (1") Black	AL-58533B	\$0.95
N/S	Anti-Rattle	AL-64637	\$7.95
N/S	Hardware, Frame Side	AL-64638	\$48.95

Conventional Fixed Height Armrest & Hardware

Item No.	Description	ALCO Part No.	Price Each
1	Armpad, Full Length	AL-135BK*	\$11.95
	Armpad, Desk Length	AL-145BK*	\$11.95
2	Padded Arm Screw (10-32 x 1-1/4")	AL-45504	\$0.39
	Padded Arm Screw (10-24 x 1-1/4")	AL-67099	\$0.49
3	Spring Button	AL-64642	\$7.95
4	Plug, Arm Tube 3/4	AL-64643	\$7.95
5	Screw, Self Tapping	AL-64644	\$7.95
6	Clothing Guard, Desk Length, Left	AL-64645	\$24.95
	Clothing Guard, Desk Length, Right	AL-64646	\$24.95
	Clothing Guard, Full Length, Left	AL-64648	\$22.95
	Clothing Guard, Full Length, Right	AL-64649	\$22.95
7	Armrest, Desk Length, Left (Includes Black Pad)	AL-64653	\$79.95
	Armrest, Desk Length, Right (Includes Black Pad)	AL-64654	\$79.95
8	Armrest, Full Length, Left (Includes Black Pad)	AL-64655	\$79.95
	Armrest, Full Length, Right (Includes Black Pad)	AL-64656	\$79.95

*Specify color. See inside front cover for color choices.



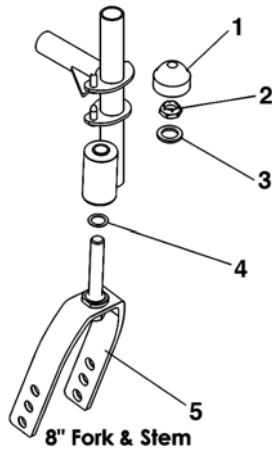
EP4



Tracer IV (After 10/01/03) by Invacare



NOTE: For serial numbers beginning with 03J and later (03J, 03K, 03L, 04A, etc.)
For serial numbers 03I and earlier (03I, 03H, 03G, etc.) please call

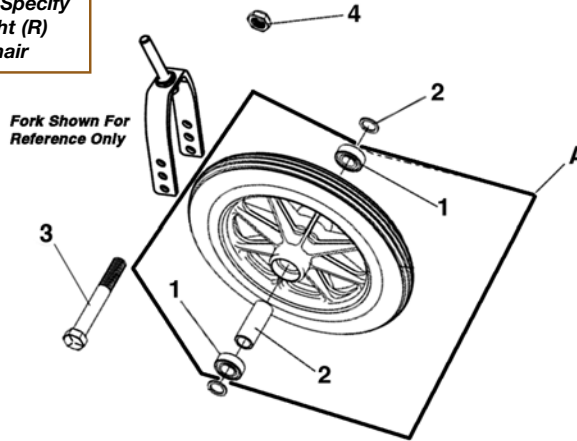


8" Fork & Stem

When Ordering, Specify
Left (L) or Right (R)
Sitting in Chair

Forks and Hardware			
Item No.	Description	ALCO Part No.	Price Each
1	Cap, Head Tube	AL-1740B	\$1.95
2	Locknut	AL-64657	\$7.95
3	Washer, Nylon	AL-65258	\$7.95
4	Washer, Steel	AL-64659	\$7.95
5	Fork & Stem, Aluminum, Black	AL-64660	\$59.95
	Bearing, Flange (1/2")	AL-263	\$3.95
	Hardware, Fork (Includes items 1-4)	AL-64662	\$8.95

Casters & Hardware			
Item No.	Description	ALCO Part No.	Price Each
A	Complete Composite Urethane Caster	AL-64679	\$29.95
1	Bearing	AL-259F	\$3.95
2	Hub Spacer	AL-50837	\$8.95
3	Front Axle	AL-1406	\$3.95
4	Locknut, Axle	AL-64680	\$1.95

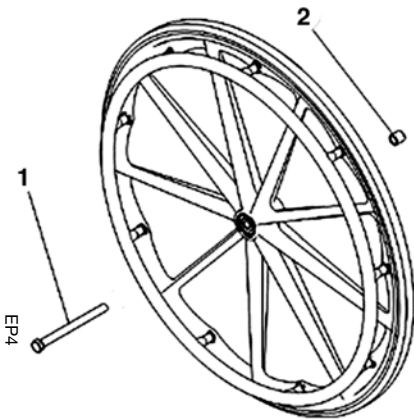


Fork Shown For Reference Only

Tracer IV

Fork and Caster

Tracer IV
Aluminum, Black
AL-72956 \$51.95



Wheel Shown For Reference Only

Rear Wheels & Hardware			
Item No.	Description	ALCO Part No.	Price Each
	Complete Composite Corded Urethane Rear Wheel	AL-2718MB	\$89.95
	Tire	AL-50156A	\$19.95
	Bearing	AL-2228	\$4.95
	Bearing Spacer	AL-64674	\$9.95
1	Axle	AL-2856	\$8.95
2	Spacer	AL-64675	\$8.95
N/S	Locknut	AL-64676	\$1.95
	Rear Wheel Hardware	AL-64677	\$15.95
	Handrim	AL-25014	\$34.95
	Handrim Attaching Hardware Kit	AL-64678	\$29.95
	Hub Cap	AL-45558	\$2.95

Front Riggings			
Description	ALCO Part No.	Price Each	
Complete (Pair)	AL-64414*	\$119.00	Pr.
Complete (Pair)	AL-64424	\$69.95	Pr.

*Specify color. See Inside Front Cover for color choices.

Wheel Lock			
Item No.	Description	ALCO Part No.	Price Each
1	Wheel Lock, Push to Lock, Left	AL-64663	\$49.95
	Wheel Lock, Push to Lock, Right	AL-64664	\$49.95
2	Tip, Wheel Lock Handle	AL-64667	\$10.95
3	Nut, Hex Flanged	AL-64668	\$7.95
4	Bolt, Carriage	AL-64669	\$7.95
	Handle, Wheel Lock Extensions, 8"	AL-45585	\$9.95

Upholstery—Before 10/1/03		
Description	ALCO Part No.	Price Each
Seat – 20" Wide	AL-64830*	\$39.95
Seat – 22" Wide	AL-64831*	\$49.95
Seat – 24" Wide	AL-64832*	\$49.95
Back – 20" Wide	AL-765*	\$41.95
Back – 22" Wide	AL-766*	\$51.95
Back – 24" Wide	AL-767*	\$59.95
Calf Pads	AL-422UBK*	\$15.95
Armpads	AL-145BK*	\$11.95
Armpads	AL-135BK*	\$11.95
Padded Arm Screw (10-32 x 1-1/4")	AL-45504	\$0.39
Padded Arm Screw (10-24 x 1-1/4")	AL-67099	\$0.49

Upholstery—After 10/1/03		
Description	ALCO Part No.	Price Each
Seat – 20" Wide	AL-67411*	\$49.95
Seat – 22" Wide	AL-67412*	\$59.95
Seat – 24" Wide	AL-67413*	\$59.95

*Specify color. See inside front cover for color choices.

*Specify color. See Inside Front Cover for color choices.