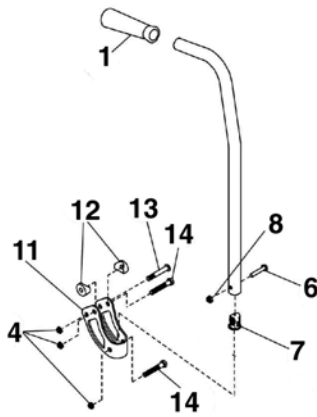




# 9000SL Standard Back Cane with Grip



After 7/11/99

Fig	Description	ALCO Part No.	Each Each
1	Grip, Hand, Foam (4-3/4")	AL-81712	\$7.95
4	Locknut (1/4-20)	AL-53240	\$8.95
6	Screw, Hex Head (1/4-20 x 1-1/4")	AL-64605	\$8.95
7	Insert	AL-64604	\$8.95
8	Locknut (1/4-20)	AL-64603	\$8.95
11	Bracket, Armrest	AL-81683	\$7.95
12	Spacer, Coved (1/4 x 3/4 x 11/32")	AL-81714	\$7.95
13	Screw, Socket Button Head (1/4-20 x 1-7/16")	AL-53245	\$8.95
14	Screw, Hex Head (1/4-20 x 1-3/4")	AL-81715	\$7.95

# 9000XT Recliner Back Canes and Hardware

Back Tube Assembly

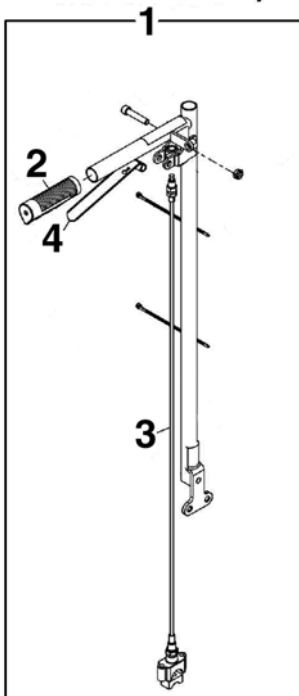


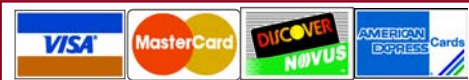
Fig	Description	ALCO Part No.	Each Each
1	Recliner Back Assembly	AL-82730	Call
2	Grip	AL-370B	\$1.95
3	Cable and Housing Assembly	AL-65267	\$29.95
4	Lever, Brake Release, Black	AL-45827	\$8.95

Visit our new website  
[www.alcosales.com](http://www.alcosales.com)



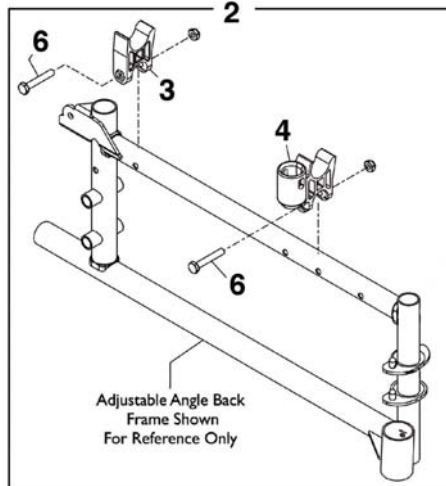
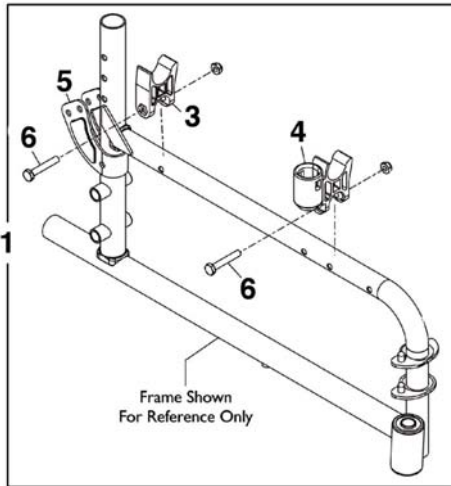
Check out our variety of virtual Online Catalogs available for page-by-page viewing!

WE ACCEPT





# 9000SL Frame Hardware

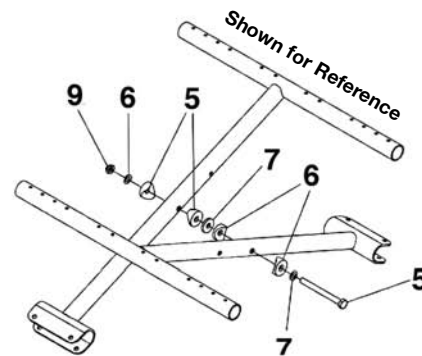
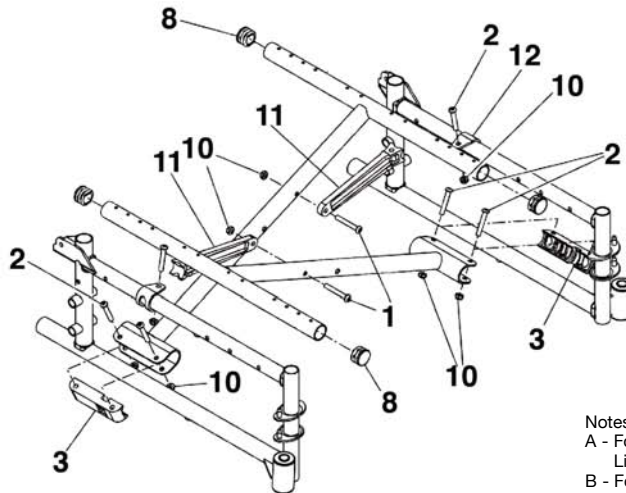


Frame Hardware—9000SL Notes  
 C - Not Shown  
 D - To be used on Conventional Style Arms  
 E - To be used on Space Saver Arms  
 F - For attaching hardware, see category titled "Back Canes and Hardware"  
 G - Due to design change, H-Blocks should be ordered in pairs for chairs built before 6/1/02

Fig	Description	ALCO Part No.	Each Each	
1	Kit, Side Frame Hardware, Chrome, (Includes 2-6) (Pair)	AL-81678	\$20.95	Pr.
1	Kit, Side Frame Hardware, Black, (Includes 2-8) (Pair)	AL-81679	\$44.95	Pr.
2	Kit, Side Frame Hardware (14" D), (Includes 2, 3,5-8) (Pair)	AL-81680	\$35.95	Pr.
3	H-Block, (note G)	AL-64618	\$1.95	
4	H-Block with Socket Cup	AL-64617	\$1.95	
5	Bracket, Armrest, Chrome, ((note F)	AL-81683	\$7.95	
5	Bracket, Armrest, Black, (note F)	AL-81684	\$7.95	

Fig	Description	ALCO Part No.	Each Each
6	Screw, Hex Head (1/4-20 x 1-1/2")	AL-64633	\$8.95
N/S	Kit, Armrest Hardware, (note C,D), Locknut (1/4-20) Cup, Socket Pivot Screw, Hex Head (1/4-20 x 1-3/8")	AL-81688	\$15.95
N/S	Hardware, Armrest, (note C,E), Spacer, Coved (1/4 x 3/4 x 11/32") NLA - Screw, Socket Button Head (1/4-20 x 1-7/16") Screw, Hex Head (1/4-20 x 1-1/2") Locknut (1/4-20)	AL-81689	\$37.95

## 9000SL Crossbrace Hardware Before 7/12/99



Notes:  
 A - For use on chairs manufactured 4/1/03 thru 1/23/05 with two piece Pivot Link and Pivot Bracket design. Pivot Link and Bracket sold separately.  
 B - For use on chairs manufactured before 4/1/03 and after 1/23/05 with one piece Pivot Link design.

Fig	Description	ALCO Part No.	Each Each
1	Screw, Socket Button Head (1/4-20 x 1-3/4")	AL-64577	\$8.95
2	Screw, Socket Button Head (1/4-20 x 1-1/2")	AL-64579	\$8.95
3	Clamp, Saddle	AL-64624	\$8.95
4	Screw, Hex Head (5/16-24 x 3-1/4")	AL-64581	\$8.95
5	Spacer, Coved (3/4 x 1 x 1/2")	AL-64582	\$8.95
6	Washer, Nylon (5/16 x 7/8 x 1/8")	AL-64583	\$8.95
7	Washer (5/16 x 9/16 x 1/32")	AL-64584	\$8.95
8	Plug Button (1")	AL-71617	\$7.95
9	Locknut (5/16-24)	AL-2209	\$7.95

Fig	Description	ALCO Part No.	Each Each
10	Locknut (1/4-20)	AL-53240	\$8.95
11	Link, Pivot (14 - 15" W) (Note A)	AL-81702	\$8.95
	Link, Pivot (14 - 15" W) (Note B)	AL-64588	\$8.95
	Link, Pivot (16 - 18" W) (Note A)	AL-81703	\$8.95
	Link, Pivot (16 - 18" W) (Note B)	AL-64589	\$8.95
	Link, Pivot (19" W)	AL-81704	\$8.95
	Link, Pivot (20 - 22" W) (Note A)	AL-81705	\$8.95
12	Link, Pivot (20 - 22" W) (Note B)	AL-64590	\$8.95
12	Bracket, Pivot	AL-65017	\$7.95

EP4



# Forks and Hardware 9000SL/9000XT/9000XT Recliner

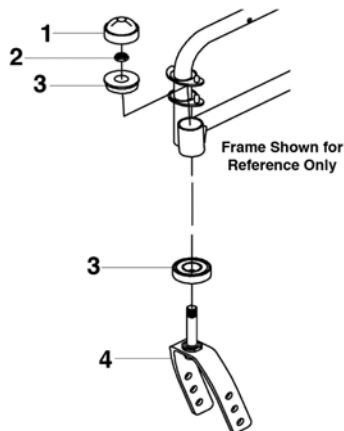


Fig	Description	ALCO Part No.	Each Each
1	Cap, Head Tube	AL-1740B	\$1.95
	Package, Head Tube Cap	AL-81728	\$34.95
2	Locknut (1/2-20)	AL-64657	\$7.95
3	Bearing, Flange (1/2")	AL-263	\$3.95
4	Fork and Stem Assembly (6 x 1" Caster) (Note A)	AL-64293	\$45.95
	Fork and Stem Assembly (8" & 6 x 2" Caster)	AL-81716	\$42.95

NOTE: A - Not available for 9000XT Recliner.

## Forks and Hardware 9000XDT - Adult/Hemi and Tall When converting from an Adult/Hemi seat to floor to a Tall seat to floor wheelchair, you must also replace the Side Frames

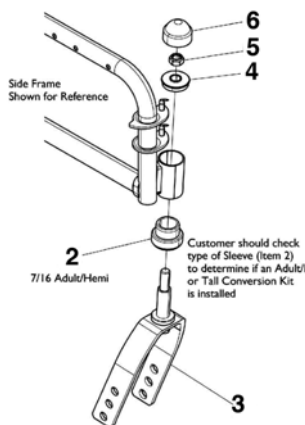


Fig	Description	ALCO Part No.	Each Each
1	Kit, Conversion, Adult/ Hemi to Tall (Pair) (Note A,D)	AL-81717	\$147.95
	Kit, Conversion, Adult/ Hemi to Tall (Pair) (Note A,E)	AL-81718	\$147.95
2	Sleeve w/Bearing, Tall (Note B,D)	AL-81719	\$21.95
	Sleeve w/Bearing, Tall (Note B,E)	AL-81720	\$26.95
	Sleeve w/Bearing, Adult/Hemi (Note C)	AL-81721	\$9.95
3	Fork and Stem Assembly, Adult/Hemi	AL-81722	\$58.95
	Fork and Stem Assembly, Tall (Note B)	AL-81723	\$56.95
4	Bearing, Flange (1/2") (Note B)	AL-263	\$3.95
	Bearing, Flange (7/16") (Note C)	AL-81724	\$9.95
5	Locknut (1/2-20) (Note B)	AL-64657	\$7.95
	Locknut (7/16-20) (Note C)	AL-81687	\$8.95
6	Cap, Head Tube	AL-1740B	\$1.95
	Kit, Wheel Lock Shoe Spacer, 22" Rear Wheels (Pair)		
N/S	Spacer, Wheel Lock Shoe (1-45/64")	AL-81726	\$27.95
	Screw, Set Socket Cup Point (#8-32 x 3/16")		

### Notes

A - Includes items 2 - 6 and Instruction Sheet. The side frames also need to be changed when converting from an adult/hemi seat to floor to the tall seat to floor.

B - Used with Tall Chairs only.

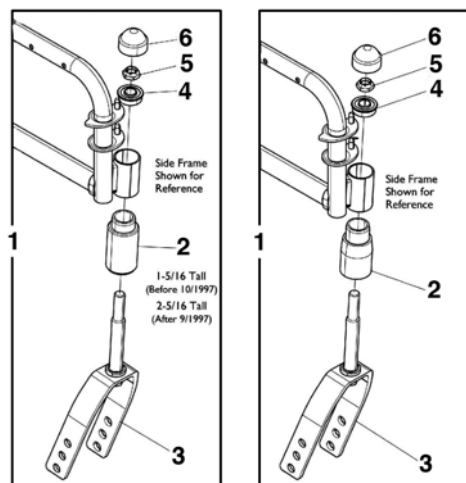
C - Used with Adult/Hemi Chairs only.

D - Before 10/1997

E - After 9/1997

NOTE: After 9/1997 a product improvement was made to the Sleeve w/Bearing and Black was discontinued and replaced with a Chrome finish. Chairs with U2222 Rear Wheels will also need Wheellock Shoe Spacers w/Hardware Part Number 1037422.

### Adult/Hemi Fork and Hardware



Adult/Hemi to Tall Conversion Kit (After 9/1997)  
Tall Fork and Hardware Only (After 9/1997)

Adult/Hemi to Tall Conversion Kit (Before 10/1997)  
Tall Fork and Hardware Only (Before 10/1997)

Visit our new website  
[www.alcosales.com](http://www.alcosales.com)



Check out our variety of virtual Online  
Catalogs available for page-by-page viewing!

**Buy 11  
FREE  
Get 1**

# Attendant Operated Wheel Locks

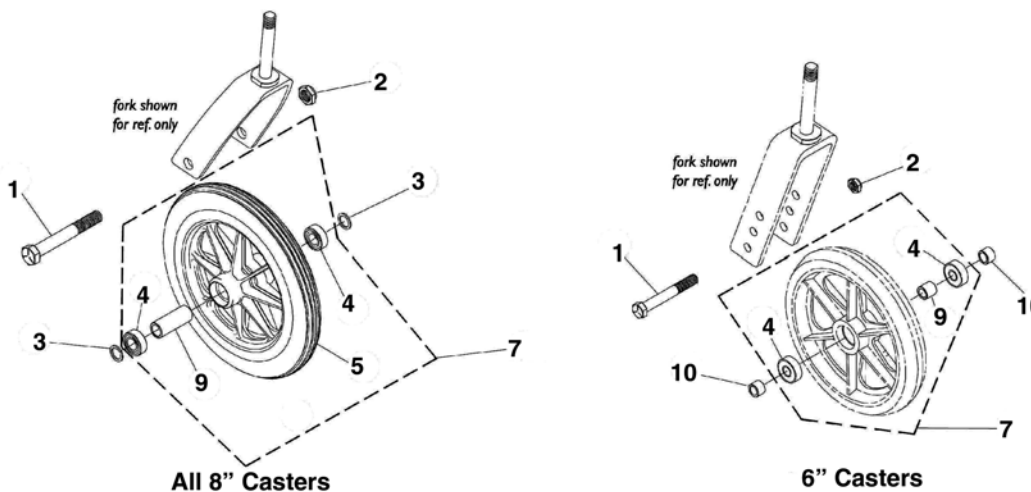


**BUY 11 GET 1 FREE!**



Fig.	Description	ALCO Part No.	Price Each
<b>Wheel Lock, Chrome Chairs (before 9/1/05)</b>			
16	Wheel Lock Assembly, Adult (Push To Lock), Left	AL-45575	\$13.95
	Wheel Lock Assembly, Adult (Push To Lock), Right	AL-45574	\$13.95
	Brake Tip	AL-45566	\$1.95
<b>Wheel Lock, Disk Style (between 8/15/03-8/31/05)</b>			
17	Wheel Lock, Push To Lock, Left	AL-64663	\$49.95
	Wheel Lock, Push To Lock, Right	AL-64664	\$49.95
	Brake Tip	AL-64667	\$8.95
<b>Wheel Lock, High Mount (after 9/1/05)</b>			
18	Wheel Lock, Push To Lock, Left	AL-77655	\$49.95
	Wheel Lock, Push To Lock, Right	AL-77656	\$49.95
	Brake Tip	AL-45566	\$1.95
<b>Wheel Lock, Clamp On (after 9/1/05)</b>			
19	Wheel Lock, Pull To Lock, Right	AL-81657	\$49.95
	Wheel Lock, Pull To Lock, Left	AL-81658	\$49.95
	Brake Tip	AL-45566	\$1.95
<b>Attendant Operated Wheel Lock, 9RC</b>			
19	Wheel Lock, Right	AL-81659R	\$49.95
	Wheel Lock, Left	AL-81659L	\$49.95
<b>Patient Operated Style Wheel Locks 9696R/1245, Conventional Arm, 9RC</b>			
20	Wheel Lock Assembly, Push to Lock—Right	AL-78321R	\$45.95
	Wheel Lock Assembly, Push/Lock—Left	AL-78321L	\$45.95
	Wheel Lock Assembly, Pull/Lock—Right	AL-78320R	\$45.95
	Wheel Lock Assembly, Pull/Lock—Left	AL-78320L	\$45.95

## Front Casters and Mounting Hardware



EP4

Fig.	Description	Composite Light Grey Urethane 6 x 1"		Composite Dark Grey Urethane 6 x 1"		Composite Urethane 8 x 1-1/4"		Composite Solid Rubber 8 x 1"	
1	Front Axle	AL-81731	\$32.95	AL-81731	\$32.95	AL-81686	\$6.95	AL-81686	\$6.95
2	Axle Locknut	AL-81729	\$32.95	AL-81729	\$32.95	AL-81687	\$8.95	AL-81694	\$5.95
3	Axle Washer	N/A	N/A	N/A	N/A	AL-81690	\$32.95	AL-81695	\$8.95
4	Bearing	AL-81681	\$9.95	N/A	N/A	AL-259F	\$3.95	AL-259F	\$3.95
5	Tire	N/A	N/A	N/A	N/A	AL-81691	\$36.95	AL-81696	\$36.95
7	Wheel Assembly	AL-81685	\$29.95	AL-64204	\$29.95	AL-64679	\$29.95	AL-56371	\$29.95
9	Hub Spacer	AL-81968	\$8.95	N/A	N/A	AL-81693	\$5.95	N/A	N/A
10	Axle Spacer	AL-81682	\$8.95	AL-81682	\$8.95	N/A	N/A	N/A	N/A