

Experience the

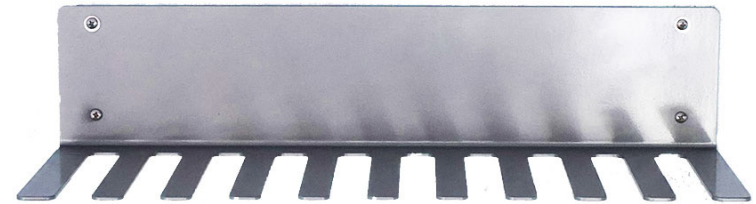
## Benefits

of our Crutch Rack.



## Installation & Usage

for the AL-89976 Crutch Rack



### Space Saver:

The compact, raised and vertical assembly of your crutches opens up floor space.



### Sanitary:

Decrease disease transmission by storing your folding walkers off the ground.



### Productive:

Save time and money when therapists spend less time searching and sanitizing.



**i** For Junior and Standard size crutches - not suitable for Bariatric crutches.

Materials Included:

 x 4	 x 4	 x 4
Screws	Washers	Drywall Anchors

# Installation Guide

## Tools Needed:

**i** If mounting rack to concrete or block surface, concrete screws will be needed.

- Pencil
- Drill: 3/16 bit
- Phillips head screw driver
- Level
- Tape measure

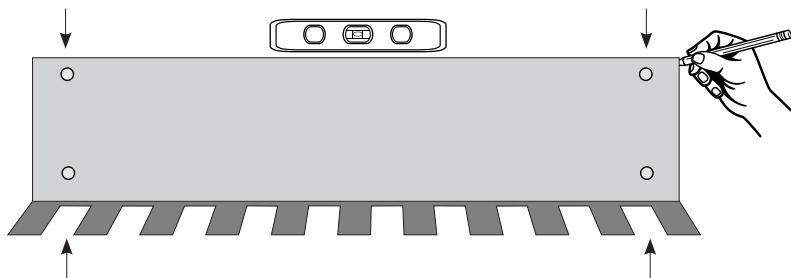


The AL-89976 Crutch Rack is designed for **Junior** and **Standard** sized crutches. Mount the rack high enough so your crutches do not touch the ground, and low enough for all staff to reach.

## Step 1: Level

**Tools:** Pencil, level.

Hold the rack against the wall. Place your level on the top ledge and level your rack. Use your pencil to mark the locations of each mounting hole (2 on top, 2 on bottom).

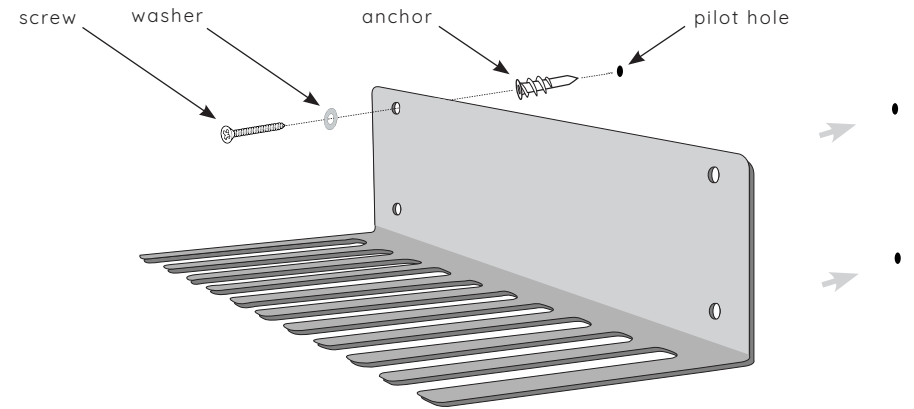


## Step 2: Mount

**Tools:** Drill (3/16 bit), Phillips Head Screwdriver.

**Materials:** 4 Anchors, 4 Washers, 4 Screws.

1. With a 3/16 bit, drill a hole on each pencil mark from Step 2. You should have 4 drilled pilot holes per rack.
2. Insert one self-drilling anchor into each pilot hole.<sup>1</sup>
3. Holding the rack against the wall, align the pre-drilled mounting holes with the anchors.
4. Slide one washer onto the screw. Insert screw through the mounting hole and into the anchor.
5. Use your Phillips head screwdriver to drive the screw into the wall.
6. Repeat step 4 and 5 for each mounting hole to complete the installation.



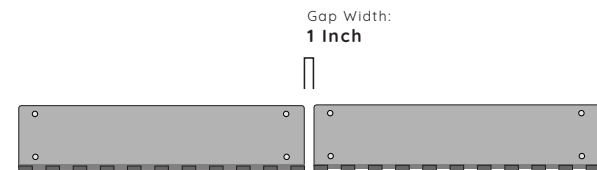
<sup>1</sup> If any of the rack holes line up with a wall support member, i.e. wood or metal stud, a drywall anchor is not needed. Proceed with use of screw and washer only.

## Step 3: Measure

**Tools:** Tape measure, pencil.

When mounting Crutch Racks side-by-side, leave a 1-inch gap between them.

Using a tape measure and pencil, mark the wall 1 inch from the edge of the mounted rack in the direction you are hanging your next Crutch Rack.



Repeat steps 1 and 2 using the mark as a guide for the edge of your second rack.