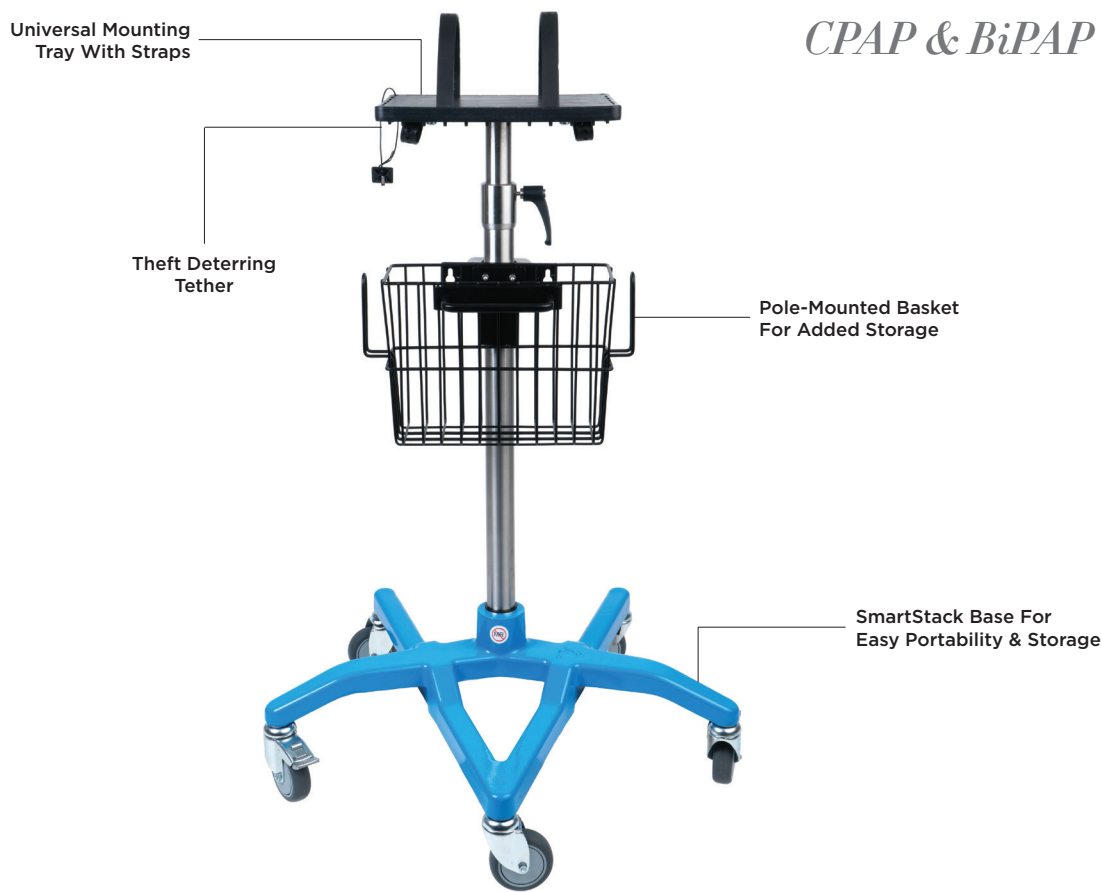


# Universal Equipment Stand

## AL-89975

*"Accommodates most  
CPAP & BiPAP units"*



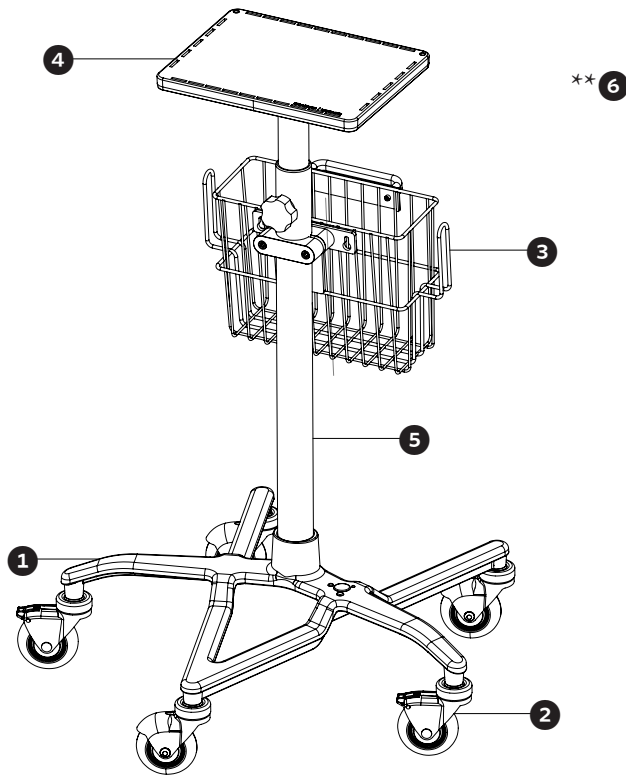
*\*Everything pictured is included*

## A UNIVERSAL EQUIPMENT STAND

The **SmartStack** universal equipment stand comes equipped with a heavy-duty, universal mounting plate, which is designed to accommodate most CPAP and BiPAP units. Its specially-designed cast aluminum base provides extra support and durability. Its patented interlocking design nests neatly with other **SmartStack** bases for ease of portability and storage. The **SmartStack** equipment stand also includes a pole-mounted basket for added storage.

## PART NUMBERS

Universal Equipment Stand . . . . . AL-89975



**1. SmartStack Base**

*Durable Aluminum Base*

**2. Locking Casters**

*Large, Smooth-Rolling Casters With 2 Wheel Locks*

**3. Wire Basket**

*Guidance Handle & Cord Hooks*

**4. Heavy Duty Universal Mounting Tray (8.5" x 11")**

*Securely Mount CPAP & BiPAP Units to Stand With Straps (Straps Included)*

**5. Chrome Plated Pole**

*1.75" Stainless Steel Pole*

**6. \*\*Mounting Hardware**

*Straps & Other Misc. Mounting Methods Included (listed below at bottom of page)*

**Specifications**

Collapsed Height:	34" (Measured from floor to mounting plate)
Extended Height:	45" (Measured from the floor to the mounting plate)
Castors:	Neoprene Tread, Chrome Steel, 3" QTY: 5, 2 Locking, 3 Non-Locking
Weight Capacity	30 lbs total
Wheel Base Diameter	22"
Nesting Base	8" center to center
Weight	20 lbs
Shipping Weight	12 lbs (Pole, basket, plate) 12 lbs (Base and casters)
Pole Diameter	1.75" (Bottom portion) 1.5" (Upper Portion)
Base Material	Powder Coated Aluminum
Pole Material	Stainless Steel
Restrictions	Not MRI Compatible
Warranty	48 Months
Mounting Tray Dimensions	8.5" X 11"

*\*\*Universal Equipment Stand comes equipped with Universal Mounting Tray, screws to mount tray to SmartStack Equipment Stand and means to secure equipment to tray: elastomeric straps, velcro, lanyard and adhesive pad, and a drill template on which mounting locations of the equipment may be marked and transferred to the tray for drilling holes for equipment mounting screws.*