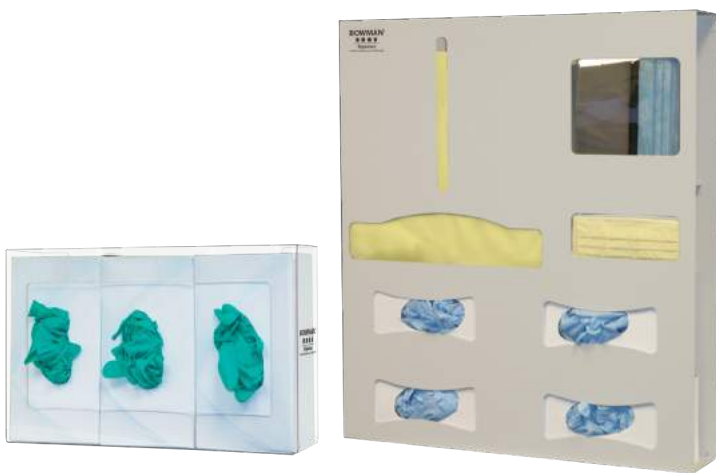




MADE
IN THE **USA**

Companion Products (sold separately):

- Glove Box Dispenser - Triple
- Protection System - Quad Glove - 4" Deep



Product Description:

- Face Mask Dispenser - 4" Deep
- Holds contents of one box of earloop face masks in bulk
- Hingeless lid
- 4" depth meets guidelines set by ADA and CMS
- Keyholes for wall mounting
- Made of Clear PETG Plastic

Primary Area for Product Usage:

- Any patient care areas; e.g., patient rooms, exam rooms, surgical areas, interventional radiology, areas with a scrub sink
- Emergency and admitting departments, all ports of entry, outpatient radiology/MRI, outpatient labs and pharmacies

Dispenses:

- Most manufacturers' standard earloop face masks in bulk

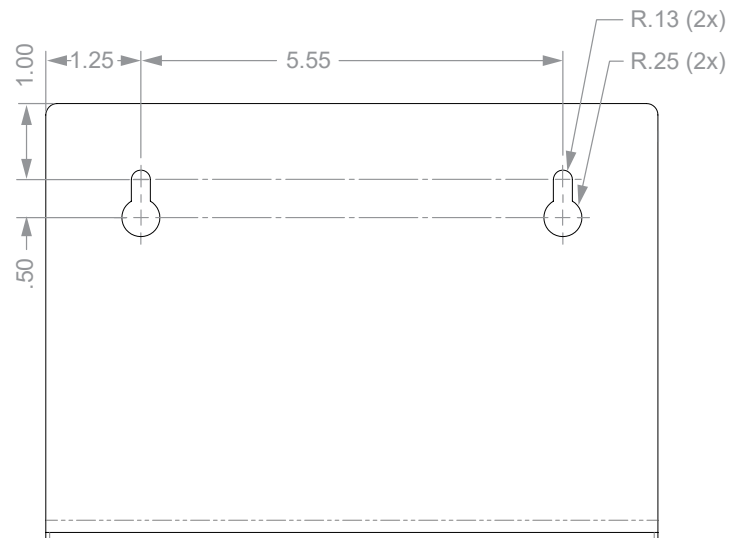
Package Specifications:

- Package Quantity: 12 per case
- 18"W x 16"H x 10"D (45.7 cm x 40.6 cm x 25.4 cm)
- 12.0 lbs (5.4 kg) - approximated

Product Specifications (overall external dimensions):

- 8.25"W x 5.63"H x 4.00"D (21.0 cm x 14.3 cm x 10.2 cm)
- 0.8 lbs (0.4 kg) - approximated

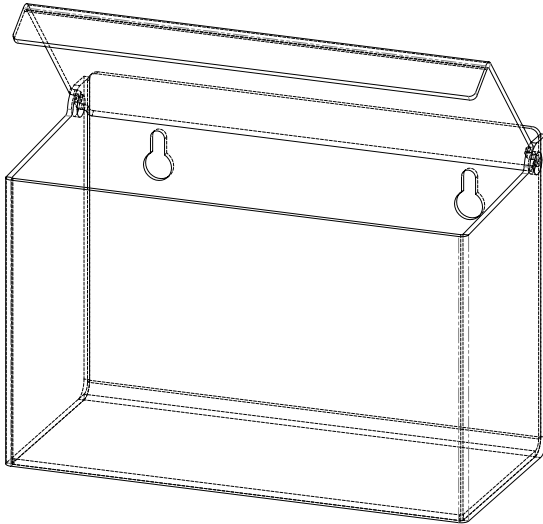
Mounting Specifications:



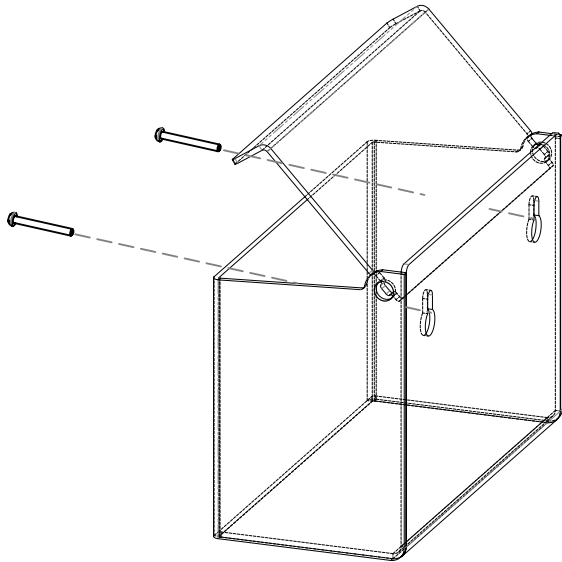
Installation

Always mount dispensers securely *prior* to loading with product.

- Clear design enables view of contents and supply level.
- Hingeless lid protects contents from dust and debris.



- Mount securely to a wall with screws approved and supplied by building maintenance.



Parts included:

- Dispenser

Tools Required:

- No tools required to assemble dispenser

Care and Construction

PETG Plastic

Material Characteristics

Designed for Long-Term Heavy-Duty Applications

Copolyester resin is designed for heavy-duty applications. We never use acrylic in our products.

Copolyester (PETG) is typically 15-20 times tougher than general purpose acrylic. PETG is made to withstand handling and reduce losses due to breakage.

PETG resists a variety of chemicals and commonly used cleaning agents. It is tough and durable (not brittle), providing years of trouble-free functionality and long life.

Clear optical characteristics mean the viewer can see the content, read text, and see true colors through the material. It complies with FDA regulations for food contact.

Care and Cleaning

Most cleaning chemicals do not weaken the surface or cause damage to the material. Suggested cleaning method is to use a soft cloth, warm water, and mild soap.