



MADE
IN THE **USA**

Product Description:

- Face Mask Dispenser - Earloop Style
- Holds one box of earloop style face masks
- Keyholes for wall mounting
- White Powder-Coated Steel

Primary Area for Product Usage:

- Anywhere protective equipment is needed

Dispenses:

- Box(es) no larger than 7.50"W x 6.25"H x 4.00"D (19.1 cm x 15.9 cm x 10.2 cm)
- Box(es) no smaller than 7.25"W x 3.75"H x 3.75"D (18.4 cm x 9.5 cm x 9.5 cm)

Package Specifications:

- Package Qty 12 per case
- 14"W x 12"H x 9"D (35.6 cm x 30.5 cm x 21.6 cm)
- 11.0 lbs (5.0 kg) - approximated

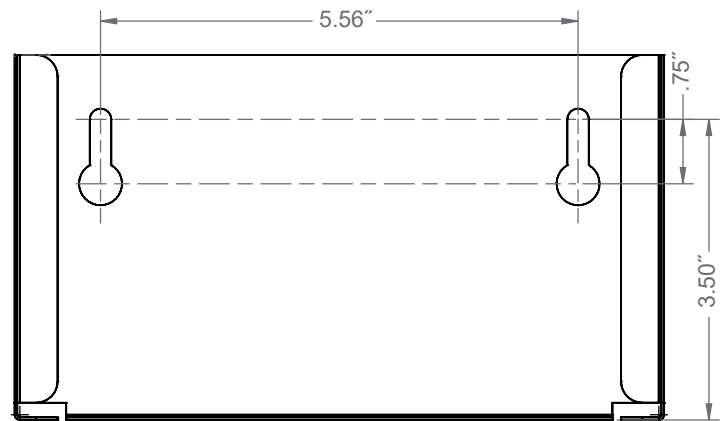
Product Specifications (overall external dimensions):

- 7.56"W x 4.25"H x 4.13"D (19.2 cm x 10.8 cm x 10.5 cm)
- 0.7 lb (0.3 kg) - approximated

Mounting Specifications:

Related Products (each sold separately):

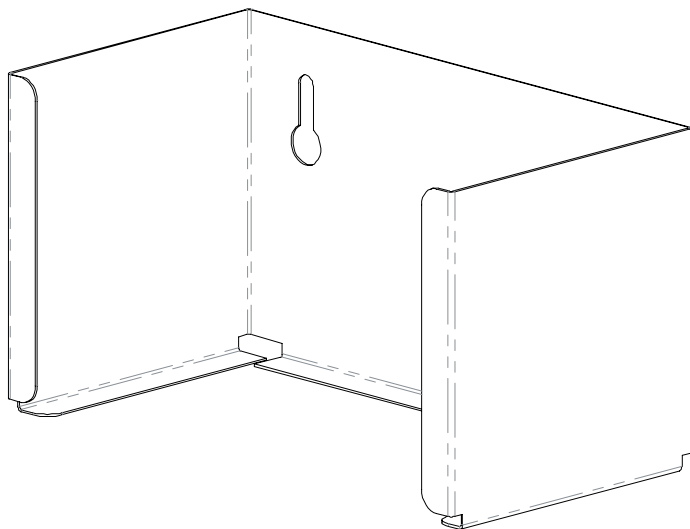
- AL-89813-T: Face Mask Dispenser - Tie Style (shown below)
- AL-89813-S: Face Mask Dispenser - Shield Style



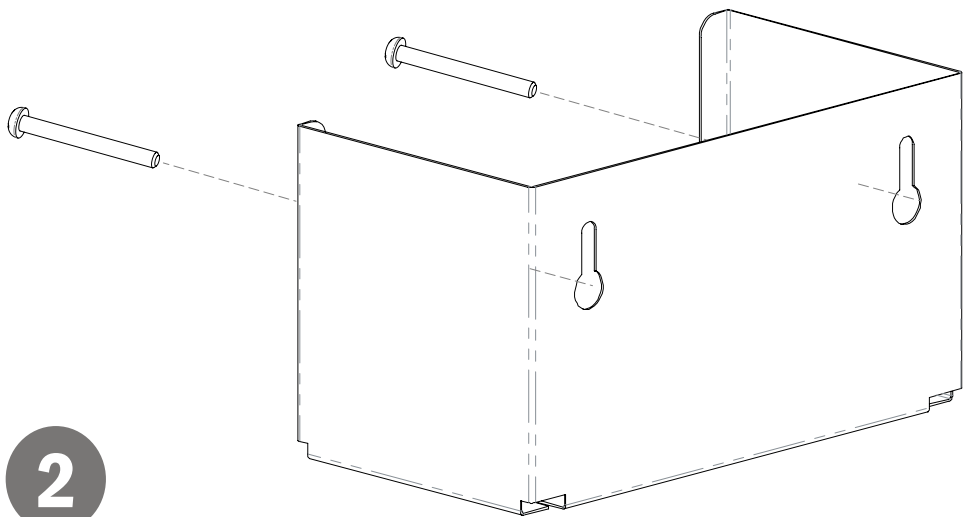
Installation

Always mount dispensers securely *prior* to loading with product.

- Custom fit sizing with short flanges mean there is maximum exposure of the box.
- Boxes may dispense from the top or front as fit provides.



- Mount securely to a wall with screws approved and supplied by building maintenance.



Parts included:

- Dispenser

Tools Required:

- No tools required to assemble dispenser

Care and Construction Powder-Coated Steel

Material Characteristics

Designed for Long-Term, Heavy-Duty Applications

Dispensers and stands made of powder coated steel are both attractive and functional, providing years of service. Our powder coated steel dispensers and stands provide long-lasting products that hold up well in tough environments.

Powder coated steel is ideal for dispensers used in a healthcare or an industrial setting. It is impact resistant and is not effected by extremes in temperature.

Care and Cleaning

The powder coated finish resists common chemicals and cleaning agents and can be easily wiped clean with soap and water.



MADE
IN THE **USA**

Related Products (each sold separately):

- AL-89813-T: Face Mask Dispenser - Tie (shown below)
- AL-89813-E: Face Mask Dispenser - Earloop



Product Description:

- Face Mask Dispenser - Shield
- Holds one box of face shields
- Keyholes for wall mounting
- White Powder-Coated Steel

Primary Area for Product Usage:

- Anywhere face masks are needed

Dispenses:

- Box(es) no larger than 9.00"W x 9.50"H x 4.00"D (22.9 cm x 24.1 cm x 10.2 cm)
- Box(es) no smaller than 8.75"W x 5.50"H x 3.75"D (22.2 cm x 14.0 cm x 9.5 cm)

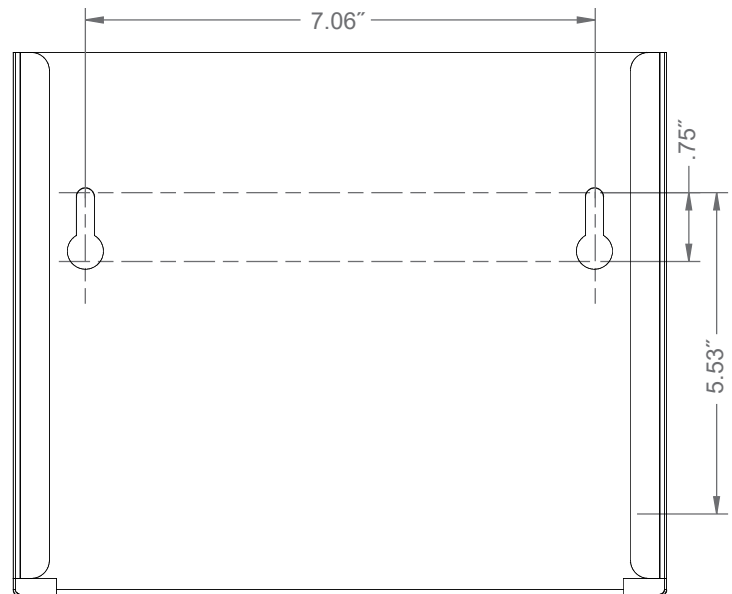
Package Specifications:

- Package Qty 12 per case
- 16"W x 12"H x 12"D (40.6 cm x 30.5 cm x 30.5 cm)
- 17.0 lbs (7.7 kg) - approximated

Product Specifications (overall external dimensions):

- 9.06"W x 7.53"H x 4.06"D (23.0 cm x 19.1 cm x 10.3 cm)
- 1.2 lbs (0.5 kg) - approximated

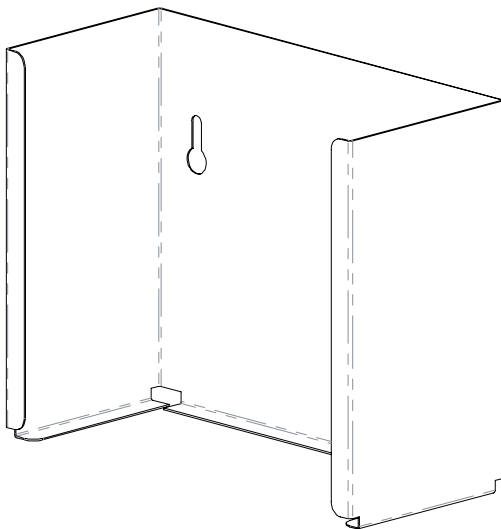
Mounting Specifications:



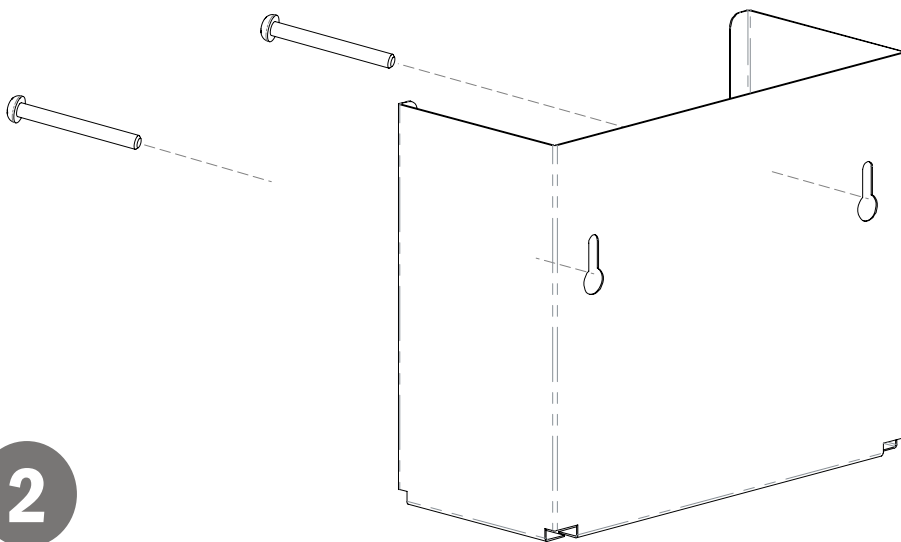
Installation

Always mount dispensers securely *prior* to loading with product.

- Custom fit sizing with short flanges means there is maximum exposure of the box.
- Boxes may dispense from the top or front as fit provides.



- Dispenser can be mounted onto a door or wall hanger through the cutout in the back.



Parts included:

- Dispenser

Tools Required:

- No tools required to assemble dispenser

Care and Construction

Powder-Coated Steel

Material Characteristics

Designed for Long-Term, Heavy-Duty Applications

Dispensers and stands made of powder coated steel are both attractive and functional, providing years of service. Our powder coated steel dispensers and stands provide long-lasting products that hold up well in tough environments.

Powder coated steel is ideal for dispensers used in a healthcare or an industrial setting. It is impact resistant and is not effected by extremes in temperature.

Care and Cleaning

The powder coated finish resists common chemicals and cleaning agents and can be easily wiped clean with soap and water.



MADE IN THE USA

Product Description:

- Face Mask Dispenser - Tie
- Holds one box of tie face masks
- Two-way keyholes for dual position wall mounting
- White Powder-Coated Steel

Primary Area for Product Usage:

- Surgical areas, interventional radiology, areas with a scrub sink

Dispenses:

- Box(es) no larger than 7.38"W x 6.75"H x 4.75"D (18.7 cm x 17.1 cm x 12.1 cm)
- Box(es) no smaller than 6.63"W x 3.25"H x 4.00"D (16.8 cm x 8.3 cm x 10.2 cm)

Package Specifications:

- Package Qty 12 per case
- 16"W x 12"H x 12"D (40.6 cm x 30.5 cm x 30.5 cm)
- 13.0 lbs (5.9 kg) - approximated

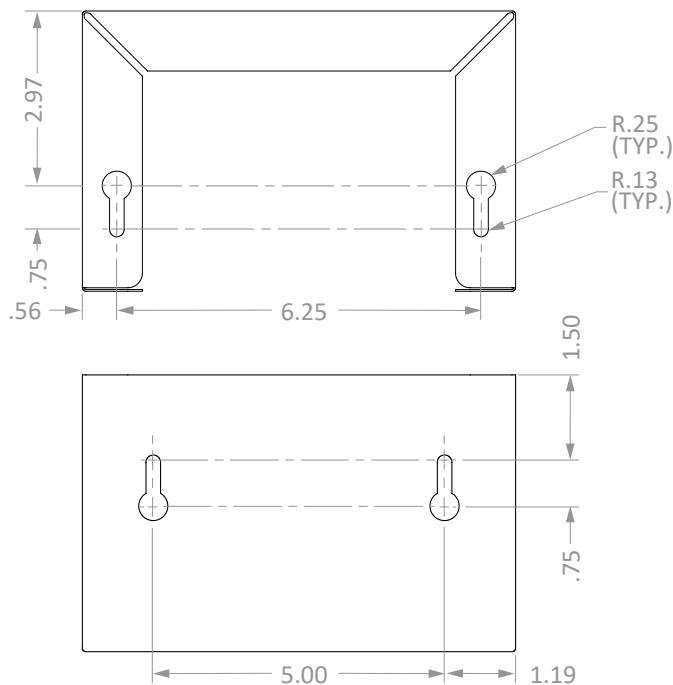
Product Specifications (overall external dimensions):

- 7.44"W x 4.75"H x 4.81"D (18.9 cm x 12.1 cm x 12.2 cm)
- 0.9 lbs (0.4 kg) - approximated

Mounting Specifications:

Related Products (each sold separately):

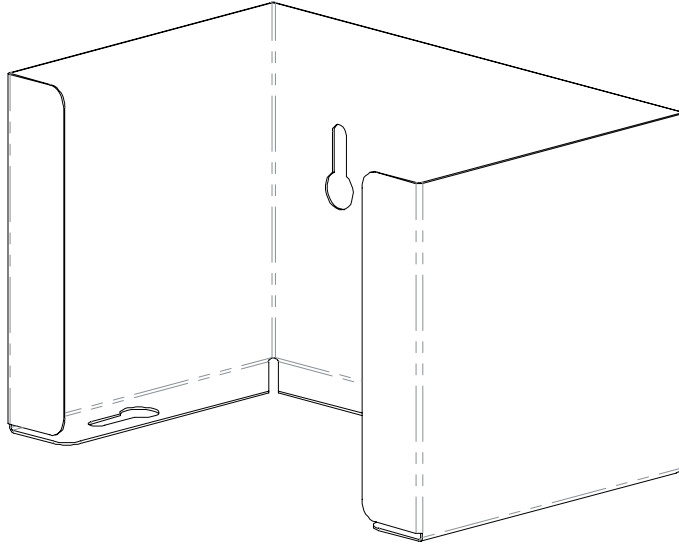
- AL-89813-E: Face Mask Dispenser - Earloop (shown below)
- AL-89813-S: Face Mask Dispenser - Shield



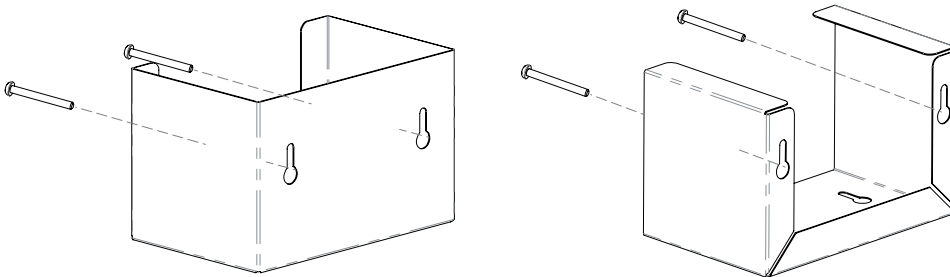
Installation

Always mount dispensers securely *prior* to loading with product.

- Wide flanges on all sides hold a variety of box sizes.



- Mount securely to a wall with screws approved and supplied by building maintenance.



Parts included:

- Dispenser

Tools Required:

- No tools required to assemble dispenser

Care and Construction Powder-Coated Steel

Material Characteristics

Designed for Long-Term, Heavy-Duty Applications

Our steel dispensers and stands are coated with polyester powders which makes them highly resistant to corrosion.

Powder-coated steel is ideal for dispensers used in a healthcare or an industrial setting because it is impact resistant and is not effected by extremes in temperature.

Dispensers and stands made of powder-coated steel are both attractive and functional, providing years of service.

Care and Cleaning

For best results, clean by washing the surface with a diluted solution of a mild, non-abrasive detergent in cold or warm water and a non-abrasive cloth. Standard hospital cleaning supplies can be used.

Dry with a soft cloth. Do not use any solvent-based materials, abrasives (e.g. Scotch-brite, steel wool), or apply excessive force during cleaning.