



MADE IN THE USA

### Product Description:

- Bulk Dispenser - Single - Tall
- Holds a variety of protective apparel, including gloves, bouffant caps, shoe covers, etc., or other miscellaneous items in a bulk compartment
- Top loading, front dispensing
- Hinged lid
- Keyholes for wall mounting
- Stainless Steel

### Primary Area for Product Usage:

- O.R. dressing areas, outside O.R. rooms, emergency rooms, operating rooms, labor and delivery, and burn units
- Surgical areas, interventional radiology, areas with a scrub sink
- Clean rooms, food service areas, or anywhere bulk items are needed

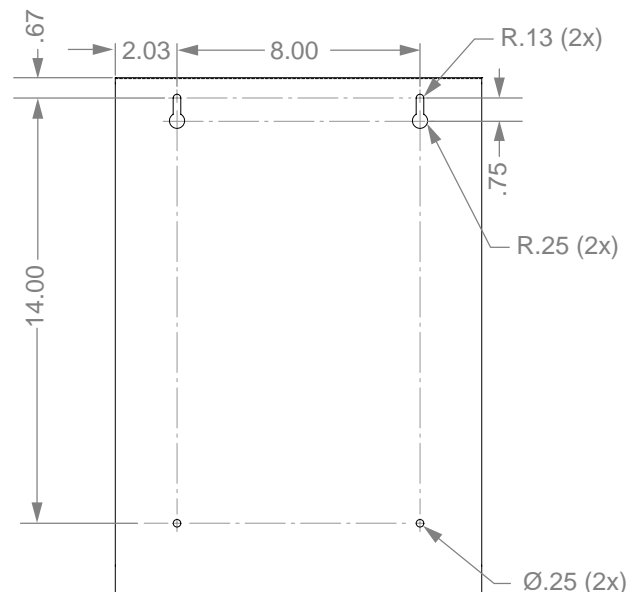
### Dispenses:

- Fits miscellaneous bulk items up to 12.00"W x 15.80"H x 5.43"D (30.5 cm x 40.1 cm x 13.8 cm)

### Product Specifications (overall external dimensions):

- 12.21"W x 17.07"H x 5.76"D (31.0 cm x 43.4 cm x 14.6 cm)
- 7.5 lbs (3.4 kg) - approximated

### Mounting Specifications:



### Alternative Products (each sold separately):

- AL-89809: Bulk Dispenser - Single - Short (not pictured)
- AL-89808-02: Bulk Dispenser - Double - Tall
- AL-89808-03: Bulk Dispenser - Triple - Tall
- AL-89808-04: Bulk Dispenser - Quad - Tall (not pictured)



AL-89808-02



AL-89808-03

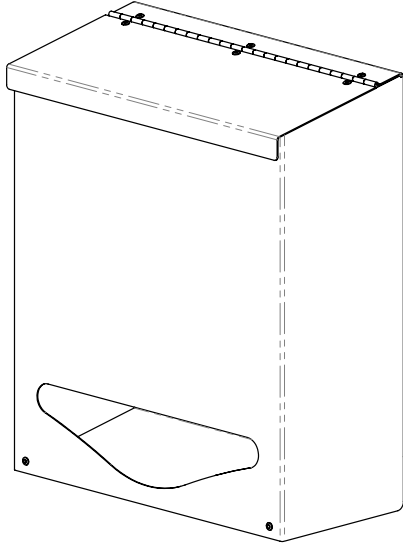
### Package Specifications:

- Package Quantity: 1 per case
- 24"L x 16"W x 6"H (61.0 cm x 40.6 cm x 15.2 cm)
- 10.0 lbs (4.5 kg) - approximated

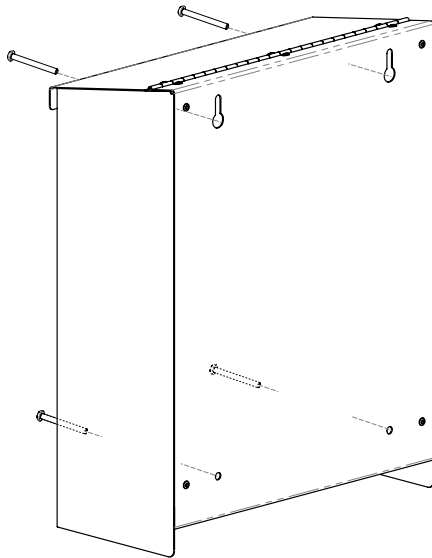
## Installation

Always mount dispensers securely *prior* to loading with product.

- Product is loaded from the top, then can be dispensed through the top or bottom front.



- Mount securely to a wall with screws approved and supplied by building maintenance.



### Parts included:

- Dispenser

### Tools Required:

- No tools required to assemble dispenser

## Care and Construction

### Stainless Steel

### Material Characteristics

### Designed for Long-Term Heavy-Duty Applications

Stainless steel is used overwhelmingly for its corrosion and oxidation resistance characteristics. Along with being sturdy, stainless steel is also fire and heat resistant.

The work-hardening properties of stainless steel gives the material a great strength-to-weight advantage over other materials. It also provides impact resistance and high toughness in extreme temperatures.

Stainless steel has a bright, stain resistant surface and pleasing aesthetic appearance.

### Care and Cleaning

Stainless steel resists a variety of common chemicals and cleaning agents. Clean using warm water, a gentle detergent, and soft cloth.

Standard hospital cleaning supplies are approved for use on our stainless steel products. Dry thoroughly to avoid spotting. Do not use steel wool.



MADE IN THE USA

### Product Description:

- Bulk Dispenser - Tall Double Bin
- Holds a variety of protective apparel or other miscellaneous items in two compartments
- Top loading, front dispensing
- Hinged lid
- Keyholes for wall mounting
- Made of Stainless Steel

### Primary Area for Product Usage:

- O.R. dressing areas, outside O.R. rooms, emergency rooms, operating rooms, labor and delivery, and burn units
- Surgical areas, interventional radiology, areas with a scrub sink
- Clean rooms, food service areas, or anywhere bulk items are needed

### Dispenses:

- Fits miscellaneous bulk items in each compartment, up to 6.00"W x 15.80"H x 5.43"D (15.2 cm x 40.1 cm x 13.8 cm)

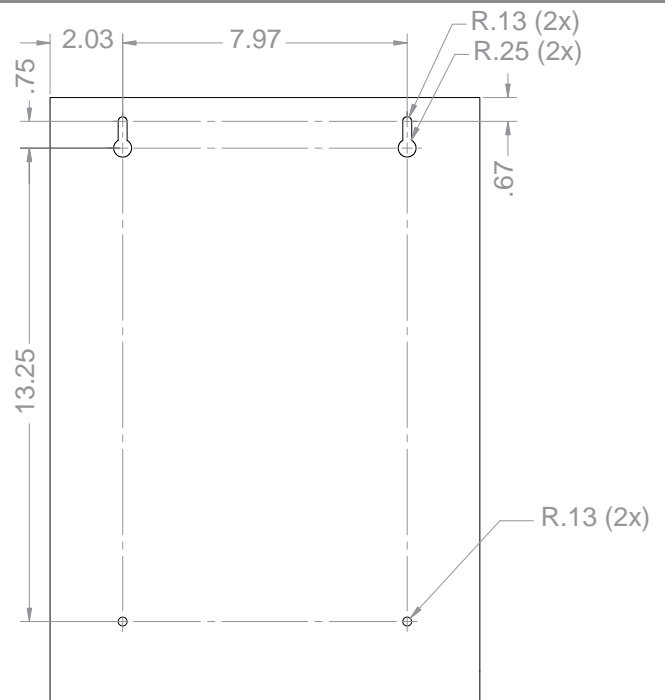
### Package Specifications:

- Package Quantity: 1 per case
- 24"L x 16"W x 6"H (61.0 cm x 40.6 cm x 15.2 cm)
- 9.0 lbs (4.1 kg) - approximated

### Product Specifications (overall external dimensions):

- 12.18"W x 17.04"H x 5.75"D (30.9 cm x 43.3 cm x 14.6 cm)
- 7.0 lbs (3.2 kg) - approximated

### Mounting Specifications:



### Alternative Products (each sold separately):

- AL-89808-01, Bulk Dispenser - Tall Single Bin
- AL-89808-03, Bulk Dispenser - Tall Triple Bin
- AL-89808-04, Bulk Dispenser - Tall Quad Bin (not pictured)



AL-89808-01

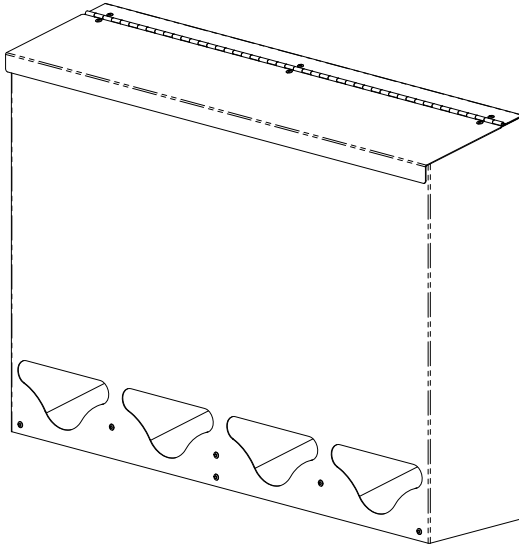


AL-89808-03

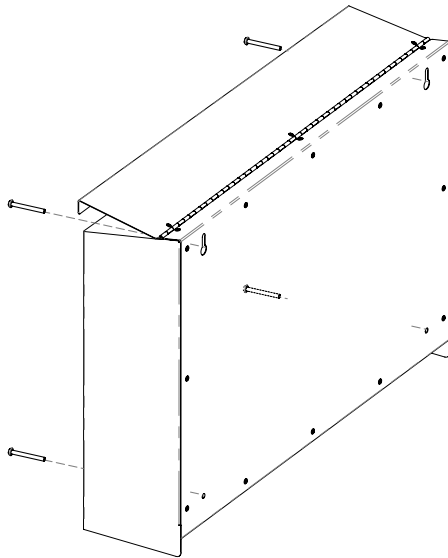
## Installation

Always mount dispensers securely *prior* to loading with product.

- Product is loaded from the top, then can be dispensed through the top or bottom front.



- Mount securely to a wall with screws approved and supplied by building maintenance.



### Parts included:

- Dispenser

### Tools Required:

- No tools required to assemble dispenser

## Care and Construction

### Stainless Steel

### Material Characteristics

### Designed for Long-Term Heavy-Duty Applications

Stainless steel is used overwhelmingly for its corrosion and oxidation resistance characteristics. Along with being sturdy, stainless steel is also fire and heat resistant.

The work-hardening properties of stainless steel gives the material a great strength-to-weight advantage over other materials. It also provides impact resistance and high toughness in extreme temperatures.

Stainless steel has a bright, stain resistant surface and pleasing aesthetic appearance.

### Care and Cleaning

Stainless steel resists a variety of common chemicals and cleaning agents. Clean using warm water, a gentle detergent, and soft cloth.

Standard hospital cleaning supplies are approved for use on our stainless steel products. Dry thoroughly to avoid spotting. Do not use steel wool.



MADE IN THE USA

### Product Description:

- Bulk Dispenser - Tall Triple Bin
- Holds a variety of protective apparel or other miscellaneous items in three compartments
- Top loading, front dispensing
- Hinged lid
- Keyholes for wall mounting
- Made of Stainless Steel

### Primary Area for Product Usage:

- O.R. dressing areas, outside O.R. rooms, emergency rooms, operating rooms, labor and delivery, and burn units
- Surgical areas, interventional radiology, areas with a scrub sink
- Clean rooms, food service areas, or anywhere bulk items are needed

### Dispenses:

- Fits miscellaneous bulk items in each compartment, up to 6.00"W x 15.80"H x 5.43"D (15.2 cm x 40.1 cm x 13.8 cm)

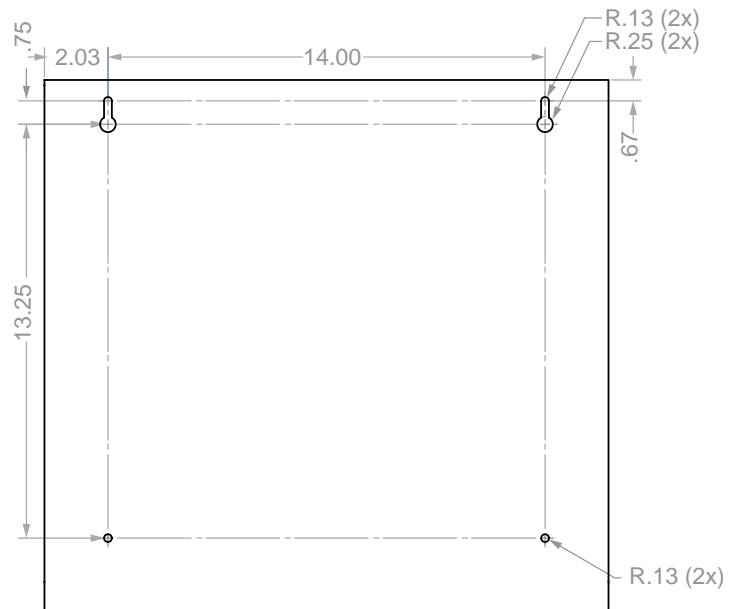
### Package Specifications:

- Package Quantity: 1 per case
- 24"L x 8"W x 24"H (61.0 cm x 20.3 cm x 61.0 cm)
- 12.0 lbs (5.4 kg) - approximated

### Product Specifications (overall external dimensions):

- 18.21"W x 17.04"H x 5.75"D (46.2 cm x 43.3 cm x 14.6 cm)
- 9.8 lbs (4.4 kg) - approximated

### Mounting Specifications:



### Alternative Products (each sold separately):

- AL-89808-01, Bulk Dispenser - Tall Single Bin
- AL-89808-02, Bulk Dispenser - Tall Double Bin
- AL-89808-04, Bulk Dispenser - Tall Quad Bin (not pictured)



AL-89808-01

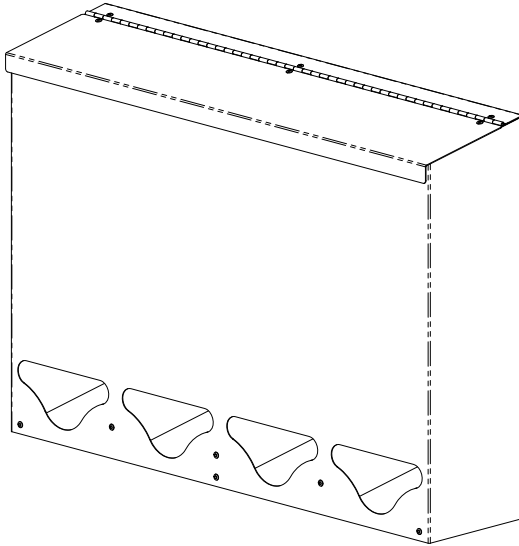


AL-89808-02

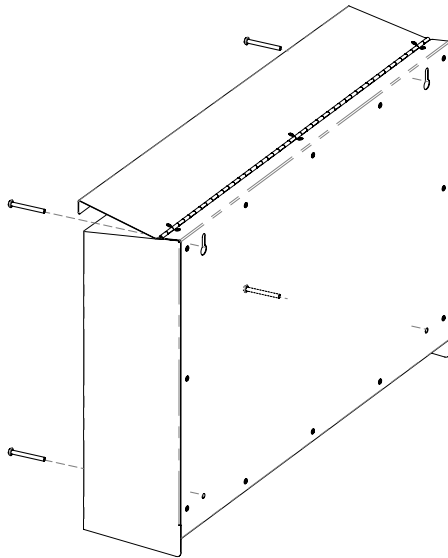
## Installation

Always mount dispensers securely *prior* to loading with product.

- Product is loaded from the top, then can be dispensed through the top or bottom front.



- Mount securely to a wall with screws approved and supplied by building maintenance.



### Parts included:

- Dispenser

### Tools Required:

- No tools required to assemble dispenser

## Care and Construction

### Stainless Steel

### Material Characteristics

### Designed for Long-Term Heavy-Duty Applications

Stainless steel is used overwhelmingly for its corrosion and oxidation resistance characteristics. Along with being sturdy, stainless steel is also fire and heat resistant.

The work-hardening properties of stainless steel gives the material a great strength-to-weight advantage over other materials. It also provides impact resistance and high toughness in extreme temperatures.

Stainless steel has a bright, stain resistant surface and pleasing aesthetic appearance.

### Care and Cleaning

Stainless steel resists a variety of common chemicals and cleaning agents. Clean using warm water, a gentle detergent, and soft cloth.

Standard hospital cleaning supplies are approved for use on our stainless steel products. Dry thoroughly to avoid spotting. Do not use steel wool.





### Product Description:

- Bulk Dispenser - Tall Quad Bin
- Holds a variety of protective apparel or other miscellaneous items in four compartments
- Top loading, front dispensing
- Hinged lid
- Keyholes for wall mounting
- Made of Stainless Steel

### Primary Area for Product Usage:

- O.R. dressing areas, outside O.R. rooms, emergency rooms, operating rooms, labor and delivery, and burn units
- Surgical areas, interventional radiology, areas with a scrub sink
- Clean rooms, food service areas, or anywhere bulk items are needed

### Dispenses:

- Fits miscellaneous bulk items in each compartment, up to 6.00"W x 15.80"H x 5.43"D (15.2 cm x 40.1 cm x 13.8 cm)

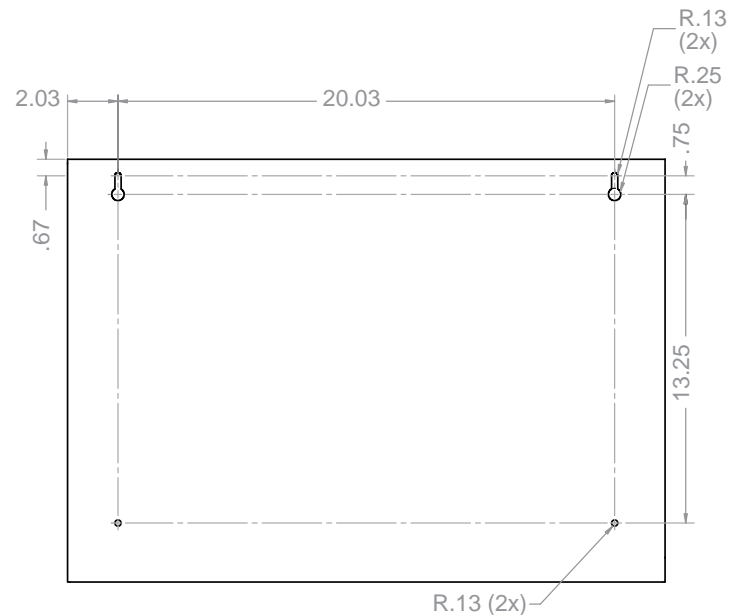
### Package Specifications:

- Package Quantity: 1 per case
- 30"L x 20"W x 9"H (76.2 cm x 50.8 cm x 22.9 cm)
- 16.0 lbs (7.3 kg) - approximated

### Product Specifications (overall external dimensions):

- 24.16"W x 17.91"H x 5.75"D (61.4 cm x 45.5 cm x 14.6 cm)
- 12.7 lbs (5.7 kg) - approximated

### Mounting Specifications:



### Alternative Products (each sold separately):

- AL-89808-01, Bulk Dispenser - Tall Single Bin (not pictured)
- AL-89808-02, Bulk Dispenser - Tall Double Bin
- AL-89808-03, Bulk Dispenser - Tall Triple Bin



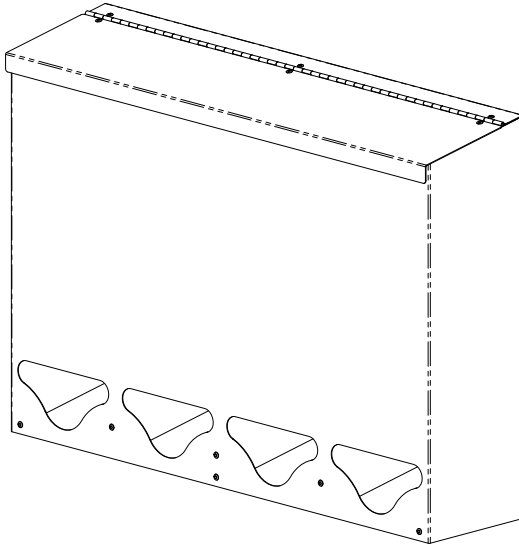
AL-89808-02

AL-89808-03

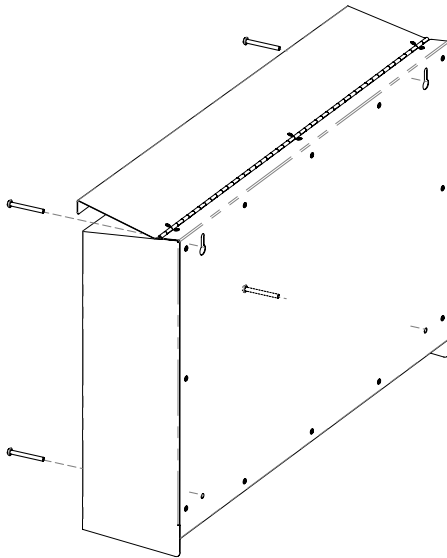
## Installation

Always mount dispensers securely *prior* to loading with product.

- Product is loaded from the top, then can be dispensed through the top or bottom front.



- Mount securely to a wall with screws approved and supplied by building maintenance.



### Parts included:

- Dispenser

### Tools Required:

- No tools required to assemble dispenser

## Care and Construction

### Stainless Steel

### Material Characteristics

### Designed for Long-Term Heavy-Duty Applications

Stainless steel is used overwhelmingly for its corrosion and oxidation resistance characteristics. Along with being sturdy, stainless steel is also fire and heat resistant.

The work-hardening properties of stainless steel gives the material a great strength-to-weight advantage over other materials. It also provides impact resistance and high toughness in extreme temperatures.

Stainless steel has a bright, stain resistant surface and pleasing aesthetic appearance.

### Care and Cleaning

Stainless steel resists a variety of common chemicals and cleaning agents. Clean using warm water, a gentle detergent, and soft cloth.

Standard hospital cleaning supplies are approved for use on our stainless steel products. Dry thoroughly to avoid spotting. Do not use steel wool.