

MADE IN THE USA

Product Description:

- Sign Holder - Clip-On
- Holds 8.5" x 11" signage vertically
- Clips onto the front of protection organizers and systems
- Made of Clear PETG Plastic

Primary Area for Product Usage:

- Anywhere signage is needed for isolation precautions
- Especially useful at procedural or notification stations

Dispenses:

- 8.5" x 11" (21.6 cm x 27.9 cm) vertical signage

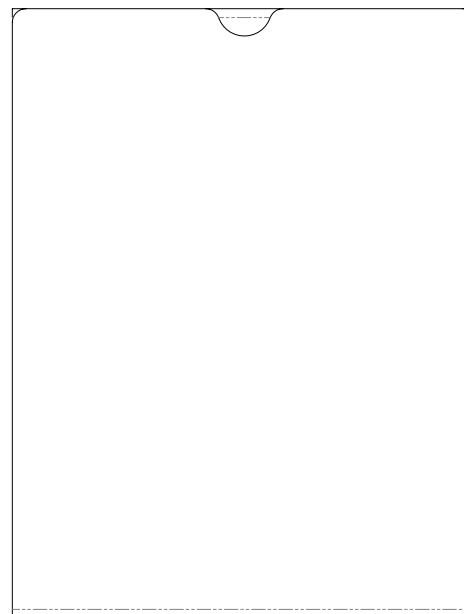
Package Specifications:

- Package Quantity: 12 per case
- 14"L x 12"W x 8.5"H (35.6 cm x 30.5 cm x 21.6 cm)
- 12.0 lbs (5.4 kg) - approximated

Product Specifications (overall external dimensions):

- 8.5"W x 11.2"H x 0.6"D (21.6 cm x 28.4 cm x 1.6 cm)
- 0.8 lbs (0.3 kg) - approximated

Mounting Specifications:



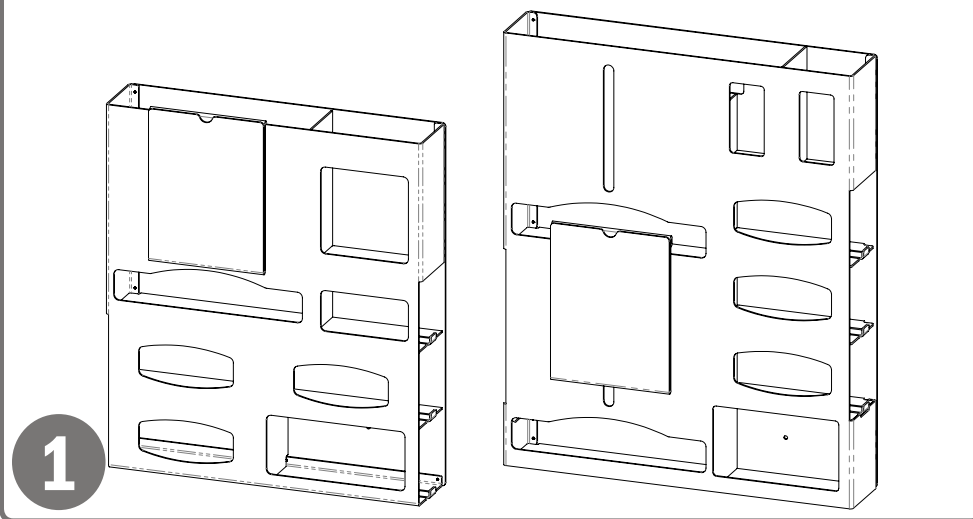
Related Products (sold as kits):

- AL-89805-0212, Protection System Isolation Kit
 - AL-89806-0212, Protection System, Quartz Beige
 - AL-89807, Sign Holder - Clip-On
- AL-89805-0223, Protection System Isolation Kit
 - AL-89806-0223, Protection System, Maple
 - AL-89807, Sign Holder - Clip-On
- AL-89805-0233, Protection System Isolation Kit
 - AL-89806-0233, Protection System, Cherry
 - AL-89807, Sign Holder - Clip-On
- Protection System Isolation Kit
 - AL-89806-0223, Protection System, Quartz Beige
 - AL-89807, Sign Holder - Clip-On
 - Hanger - Door - Standard
- Protection System Isolation Kit
 - Protection System - Double Gown
 - AL-89807, Sign Holder - Clip-On
 - Hanger - Door - Standard
- Protection System Isolation Kit
 - Protection System - Double Gown
 - AL-89807, Sign Holder - Clip-On
- Protection System Isolation Kit
 - Protection System
 - AL-89807, Sign Holder - Clip-On
 - Hanger - Door - Standard
- Protection System Isolation Kit
 - Protection System
 - AL-89807, Sign Holder - Clip-On

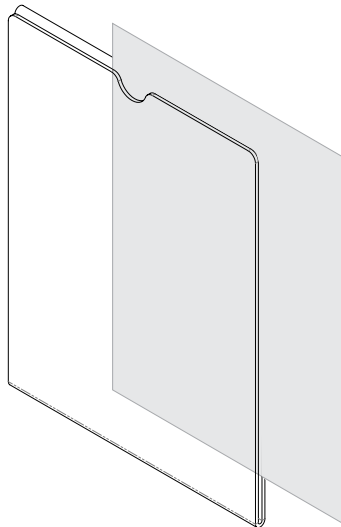
Installation

Always mount dispensers securely *prior* to loading with product.

- Clip over the top edge of a dispenser over any horizontal opening that is wider than 9.00".



- Insert signage through side or top.
- Signs are easily removed using thumb cut out.



Parts included:

- Sign Holder

Tools Required:

- No tools required to assemble sign holder

Care and Construction

PETG Plastic

Material Characteristics

Designed for Long-Term Heavy-Duty Applications

Copolyester resin is designed for heavy-duty applications. We never use acrylic in our products.

Copolyester (PETG) is typically 15-20 times tougher than general purpose acrylic. PETG is made to withstand handling and reduce losses due to breakage.

PETG resists a variety of chemicals and commonly used cleaning agents. It is tough and durable (not brittle), providing years of trouble-free functionality and long life.

Clear optical characteristics mean the viewer can see the content, read text, and see true colors through the material. It complies with FDA regulations for food contact.

Care and Cleaning

Most cleaning chemicals do not weaken the surface or cause damage to the material. Suggested cleaning method is to use a soft cloth, warm water, and mild soap.