



### Product Description:

- Protection System
- Holds disposable or reusable gowns, aprons, or coveralls/jumpsuits, three - four boxes of gloves, one box of earloop masks, one box of face shields, and miscellaneous items
- Keyholes for wall mounting, or door hanger cut out for use with wall or door hanger
- Clear PETG Plastic

### Primary Area for Product Usage:

- Anywhere personal protection equipment is needed

### Dispenses:

- Top left: Gowns, aprons, or coveralls/jumpsuits no larger than 14.90"W x 4.50"D (37.8 cm x 11.4 cm)
- Top right: Box(es) no larger than 8.10"W x 9.90"H x 4.50"D (20.6 cm x 25.1 cm x 11.4 cm)
- Middle right: Box(es) no larger than 8.00"W x 5.30"H x 4.50"D (20.3 cm x 13.5 cm x 11.4 cm)
- Bottom: Box(es) up to 11.50"W x 5.50"H x 4.50"D (29.2 cm x 14.0 cm x 11.4 cm), and/or miscellaneous items

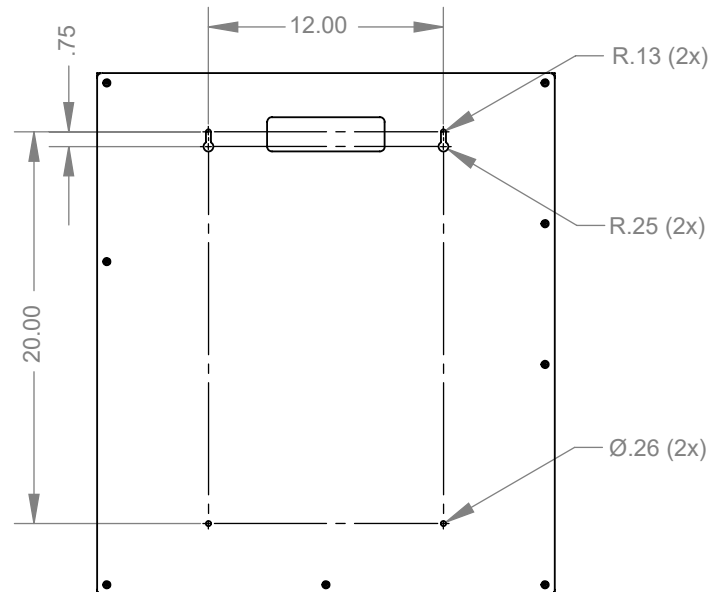
### Package Specifications:

- 26"L x 6"W x 32"H (66.0 cm x 15.2 cm x 81.3 cm)
- 12.0 lbs (5.4 kg) - approximated

### Product Specifications (overall external dimensions):

- 23.38"W x 26.63"H x 4.75"D (59.4 cm x 67.6 cm x 12.1 cm)
- 3.1 lbs (1.4 kg) - approximated

### Mounting Specifications:



### Accessories (each sold separately):

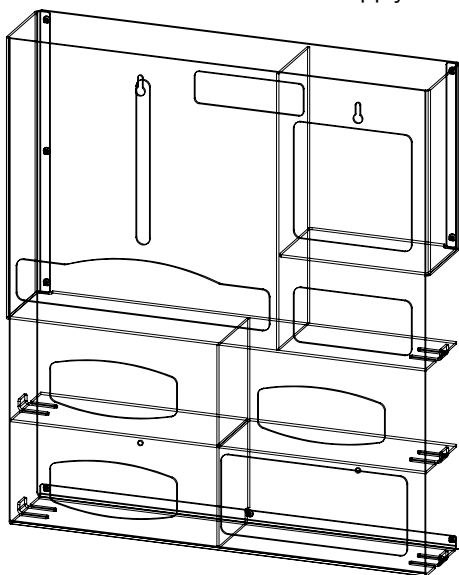
- Clip-On Caddy Dispensers
- Sign Holder (AL-89807)



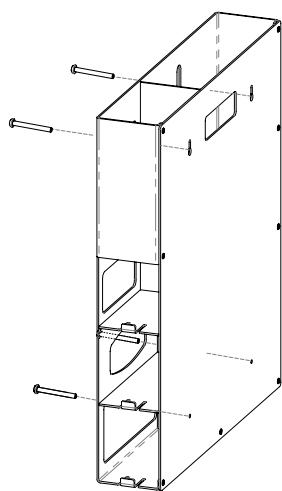
### Installation

Always mount dispensers securely *prior* to loading with product.

- Clear material allows full view of all contents and supply levels.



- Mount securely to a wall with screws approved and supplied by building maintenance.



#### Parts included:

- Dispenser

#### Tools Required:

- No tools required to assemble dispenser

### Care and Construction PETG Plastic

#### Material Characteristics

#### Designed for Long-Term, Heavy-Duty Applications

Copolyester resin is designed for heavy-duty applications. We never use acrylic in our products.

Copolyester (PETG) is typically 15-20 times tougher than general purpose acrylic. PETG is made to withstand handling and reduce losses due to breakage.

PETG resists a variety of chemicals and commonly used cleaning agents. It is tough and durable (not brittle), providing years of trouble-free functionality and long life.

Clear optical characteristics mean the viewer can see the content, read text, and see true colors through the material. It complies with FDA regulations for food contact.

#### Care and Cleaning

Most cleaning chemicals do not weaken the surface or cause damage to the material. Suggested cleaning method is to use a soft cloth, warm water, and mild soap.



MADE  
IN THE **USA**

### Accessories (each sold separately):

- Clip-On Caddy Dispensers
- Sign Holder (AL-89807)



### Product Description:

- Protection System
- Holds disposable or reusable gowns, aprons, or coveralls/jumpsuits, three - four boxes of gloves, one box of earloop masks, one box of face shields, and miscellaneous items
- Keyholes for wall mounting, or door hanger cut out for use with wall or door hanger
- Quartz Beige ABS Plastic

### Primary Area for Product Usage:

- Anywhere personal protection equipment is needed

### Dispenses:

- Top left: Gowns, aprons, or coveralls/jumpsuits no larger than 14.90"W x 4.50"D (37.8 cm x 11.4 cm)
- Top right: Box(es) no larger than 8.10"W x 9.90"H x 4.50"D (20.6 cm x 25.1 cm x 11.4 cm)
- Middle right: Box(es) no larger than 8.00"W x 5.30"H x 4.50"D (20.3 cm x 13.5 cm x 11.4 cm)
- Bottom: Box(es) up to 11.50"W x 5.50"H x 4.50"D (29.2 cm x 14.0 cm x 11.4 cm), and/or miscellaneous items

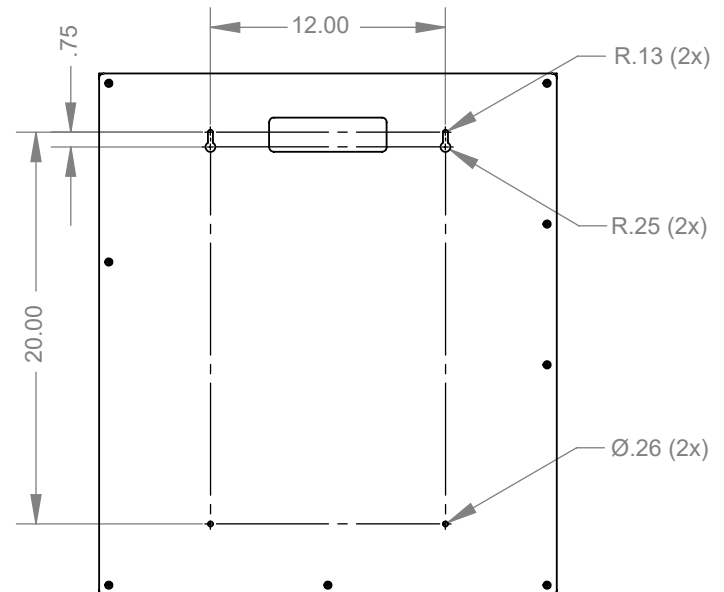
### Package Specifications:

- 26"L x 6"W x 32"H (66.0 cm x 15.2 cm x 81.3 cm)
- 12.0 lbs (5.4 kg) - approximated

### Product Specifications (overall external dimensions):

- 23.38"W x 26.63"H x 4.75"D (59.4 cm x 67.6 cm x 12.1 cm)
- 7.7 lbs (3.5 kg) - approximated

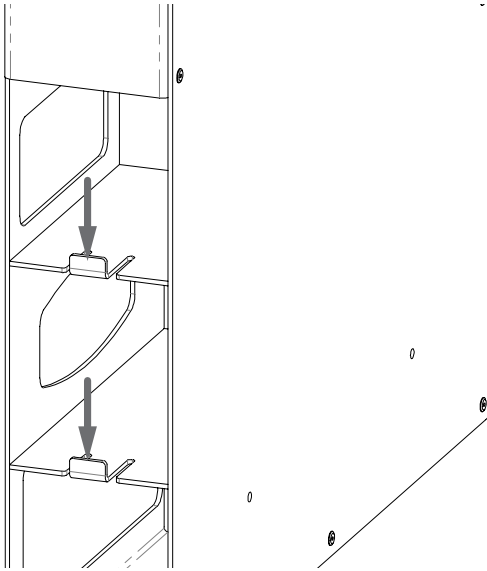
### Mounting Specifications:



## Installation

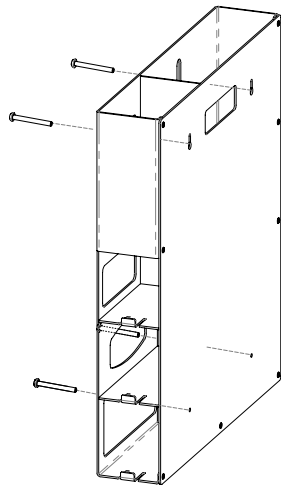
Always mount dispensers securely *prior* to loading with product.

- Built-in tabs hold boxes securely.



1

- Mount securely to a wall with screws approved and supplied by building maintenance.



2

### Parts included:

- Dispenser

### Tools Required:

- No tools required to assemble dispenser

## Care and Construction

ABS Plastic

### Material Characteristics

#### Designed for Long-Term, Heavy-Duty Applications

The combination of copolymers (Acrylonitrile, Butadiene, and Styrene) gives ABS an excellent combination of strength, rigidity, and toughness. The fauxwood finish is ARVINYL laminate created from a semi-rigid film.

ABS is chemical and stress-crack resistant. It is tough, dimensionally stable, and will hold up to long-term use. To ensure product longevity, fauxwood products should not be mounted in very hot or cold areas.

### Care and Cleaning

Use mild soap and water to clean. Petroleum-based oils, solvents, and paints should not be used.

Standard hospital cleaning supplies are approved for use on our ABS plastic products.



#### Product Description:

- Protection System
- Holds disposable or reusable gowns, aprons, or coveralls/jumpsuits, three - four boxes of gloves, one box of earloop masks, one box of face shields, and miscellaneous items
- Keyholes for wall mounting, or door hanger cut out for use with wall or door hanger
- *Signature Series* - Maple Fauxwood ABS Plastic

#### Primary Area for Product Usage:

- Anywhere personal protection equipment is needed

#### Dispenses:

- Top left: Gowns, aprons, or coveralls/jumpsuits no larger than 14.90"W x 4.50"D (37.8 cm x 11.4 cm)
- Top right: Box(es) no larger than 8.10"W x 9.90"H x 4.50"D (20.6 cm x 25.1 cm x 11.4 cm)
- Middle right: Box(es) no larger than 8.00"W x 5.30"H x 4.50"D (20.3 cm x 13.5 cm x 11.4 cm)
- Bottom: Box(es) up to 11.50"W x 5.50"H x 4.50"D (29.2 cm x 14.0 cm x 11.4 cm), and/or miscellaneous items

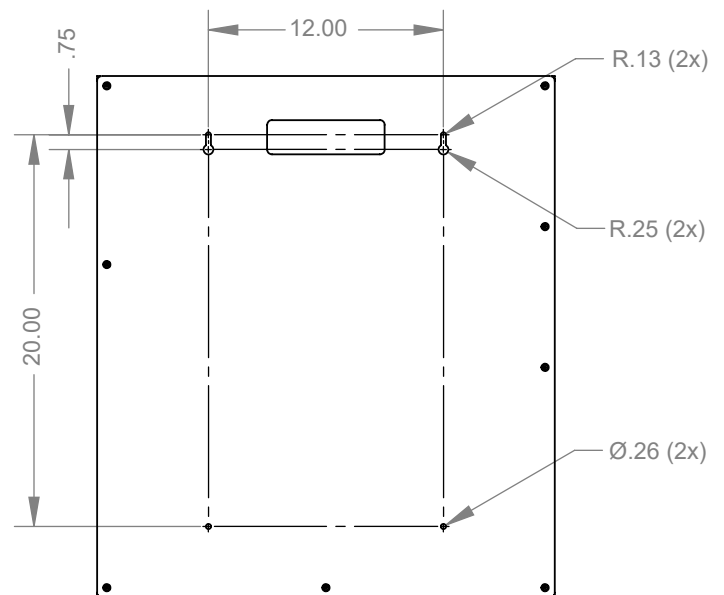
#### Package Specifications:

- 26"L x 6"W x 32"H (66.0 cm x 15.2 cm x 81.3 cm)
- 12.0 lbs (5.4 kg) - approximated

#### Product Specifications (overall external dimensions):

- 23.38"W x 26.63"H x 4.75"D (59.4 cm x 67.6 cm x 12.1 cm)
- 7.8 lbs (3.5 kg) - approximated

#### Mounting Specifications:



#### Accessories (each sold separately):

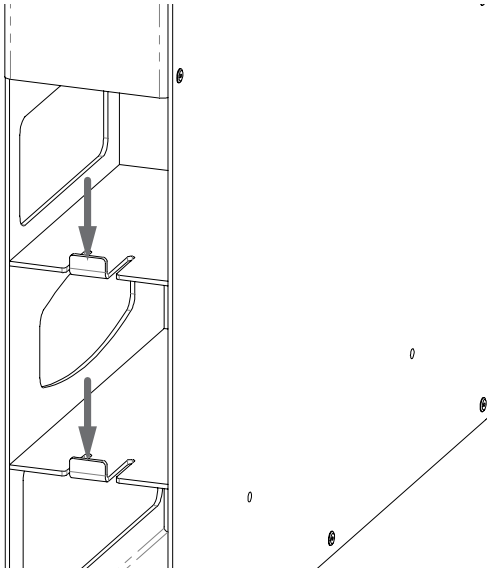
- Clip-On Caddy Dispensers
- Sign Holder (AL-89807)



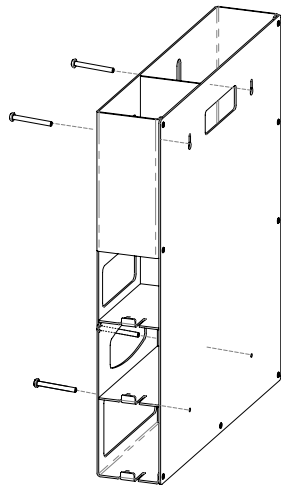
## Installation

Always mount dispensers securely *prior* to loading with product.

- Built-in tabs hold boxes securely.



- Mount securely to a wall with screws approved and supplied by building maintenance.



### Parts included:

- Dispenser

### Tools Required:

- No tools required to assemble dispenser

## Care and Construction

### ABS Plastic

### Material Characteristics

### Designed for Long-Term, Heavy-Duty Applications

The combination of copolymers (Acrylonitrile, Butadiene, and Styrene) gives ABS an excellent combination of strength, rigidity, and toughness. The fauxwood finish is ARVINYL laminate created from a semi-rigid film.

ABS is chemical and stress-crack resistant. It is tough, dimensionally stable, and will hold up to long-term use. To ensure product longevity, fauxwood products should not be mounted in very hot or cold areas.

### Care and Cleaning

Use mild soap and water to clean. Petroleum-based oils, solvents, and paints should not be used.

Standard hospital cleaning supplies are approved for use on our ABS plastic products.



MADE IN THE USA

#### Accessories (each sold separately):

- Clip-On Caddy Dispensers
- Sign Holder (AL-89807)



#### Product Description:

- Protection System
- Holds disposable or reusable gowns, aprons, or coveralls/jumpsuits, three - four boxes of gloves, one box of earloop masks, one box of face shields, and miscellaneous items
- Keyholes for wall mounting, or door hanger cut out for use with wall or door hanger
- *Signature Series* - Cherry Fauxwood ABS Plastic

#### Primary Area for Product Usage:

- Anywhere personal protection equipment is needed

#### Dispenses:

- Top left: Gowns, aprons, or coveralls/jumpsuits no larger than 14.90"W x 4.50"D (37.8 cm x 11.4 cm)
- Top right: Box(es) no larger than 8.10"W x 9.90"H x 4.50"D (20.6 cm x 25.1 cm x 11.4 cm)
- Middle right: Box(es) no larger than 8.00"W x 5.30"H x 4.50"D (20.3 cm x 13.5 cm x 11.4 cm)
- Bottom: Box(es) up to 11.50"W x 5.50"H x 4.50"D (29.2 cm x 14.0 cm x 11.4 cm), and/or miscellaneous items

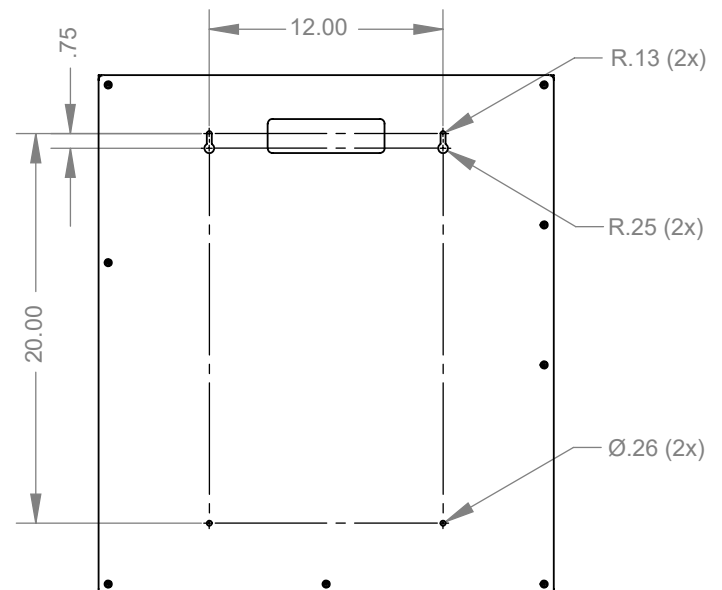
#### Package Specifications:

- 26"L x 6"W x 32"H (66.0 cm x 15.2 cm x 81.3 cm)
- 12.0 lbs (5.4 kg) - approximated

#### Product Specifications (overall external dimensions):

- 23.38"W x 26.63"H x 4.75"D (59.4 cm x 67.6 cm x 12.1 cm)
- 7.8 lbs (3.5 kg) - approximated

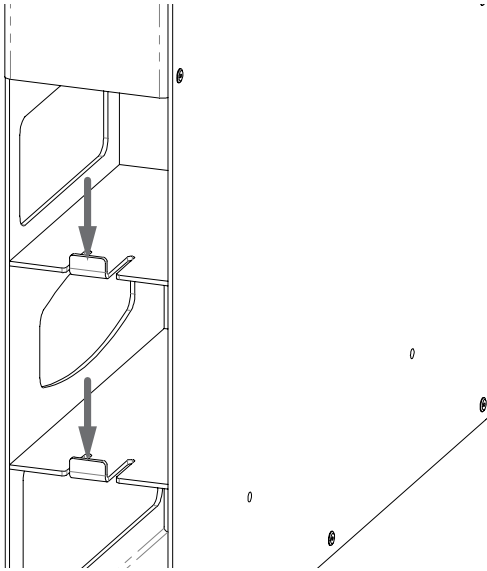
#### Mounting Specifications:



## Installation

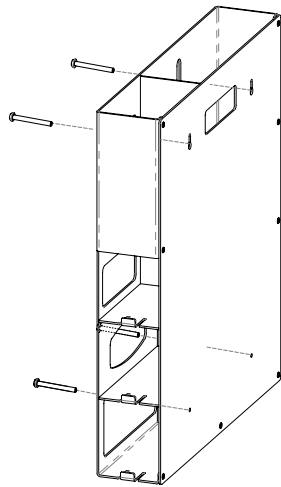
Always mount dispensers securely *prior* to loading with product.

- Built-in tabs hold boxes securely.



1

- Mount securely to a wall with screws approved and supplied by building maintenance.



2

### Parts included:

- Dispenser

### Tools Required:

- No tools required to assemble dispenser

## Care and Construction

### ABS Plastic

### Material Characteristics

### Designed for Long-Term, Heavy-Duty Applications

The combination of copolymers (Acrylonitrile, Butadiene, and Styrene) gives ABS an excellent combination of strength, rigidity, and toughness. The fauxwood finish is ARVINYL laminate created from a semi-rigid film.

ABS is chemical and stress-crack resistant. It is tough, dimensionally stable, and will hold up to long-term use. To ensure product longevity, fauxwood products should not be mounted in very hot or cold areas.

### Care and Cleaning

Use mild soap and water to clean. Petroleum-based oils, solvents, and paints should not be used.

Standard hospital cleaning supplies are approved for use on our ABS plastic products.