



MADE  
IN THE **USA**

**Related Products (each sold separately):**

- Respiratory Hygiene Station, Beige Powder-Coated Aluminum (shown below)



**Product Description:**

- Respiratory Hygiene Station
- Holds two boxes of face masks, one - two boxes of facial tissue, and one hand sanitizer bottle or hand sanitizing wipe canister
- Optional sign holder (AL-89800) sold separately
- Keyholes for wall mounting, can sit on a counter, or mount to a floor stand
- Quartz Beige ABS Plastic

**Primary Area for Product Usage:**

- Anywhere respiratory hygiene products are needed

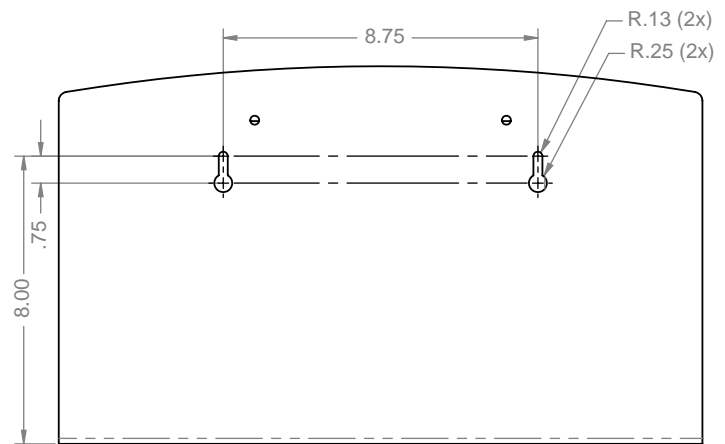
**Dispenses:**

- Left: Bottles no larger than 4.06"W x 4.06"D (10.5 cm x 10.5 cm)
- Middle: Box(es) no larger than 7.75"W x 4.00"H x 4.25"D (19.7 cm x 10.2 cm x 10.8 cm)
- Right: Box(es) no larger than 5.50"W x 10.00"H x 4.25"D (14.0 cm x 25.4 cm x 10.8 cm)

**Product Specifications (overall external dimensions):**

- 17.90"W x 10.50"H x 4.45"D (45.5 cm x 26.7 cm x 11.3 cm)
- 2.1 lbs (1.0 kg) - approximated

**Mounting Specifications:**



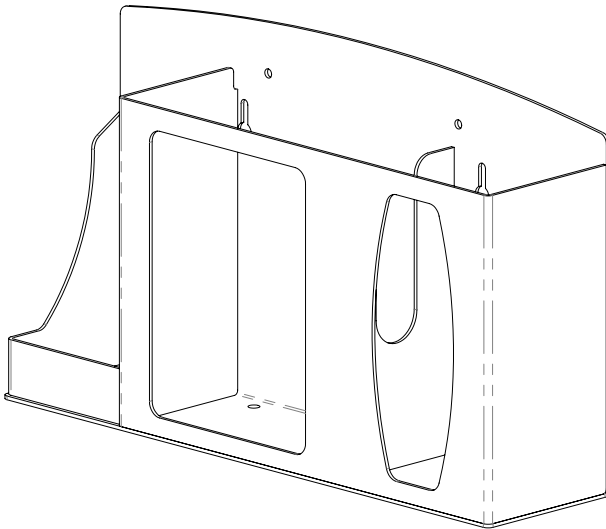
**Package Specifications:**

- Package Quantity: 3 per case
  - 20"L x 16"W x 12"H (50.9 cm x 40.6 cm x 30.5 cm)
  - 9.0 lbs (4.1 kg) - approximated
- Package Quantity: 1 per case
  - 20"L x 12"W x 8"H (50.9 cm x 30.5 cm x 20.3 cm)
  - 3.0 lbs (1.4 kg) - approximated

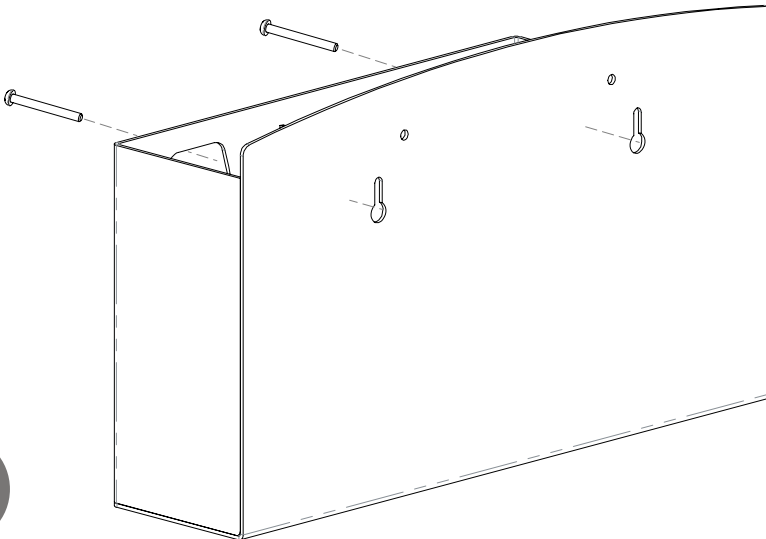
## Installation

Always mount dispensers securely *prior* to loading with product.

- Versatile design suited for a counter, wall, or stand to encourage use of personal protection and prevent spreading of illnesses.



- Mount securely to a wall with screws approved and supplied by building maintenance.



### Parts included:

- Dispenser

### Tools Required:

- No tools required to assemble dispenser

## Care and Construction

ABS Plastic

### Material Characteristics

#### Designed for Long-Term, Heavy-Duty Applications

The combination of copolymers (Acrylonitrile, Butadiene, and Styrene) gives ABS an excellent combination of strength, rigidity, and toughness. The fauxwood finish is ARVINYL laminate created from a semi-rigid film.

ABS is chemical and stress-crack resistant. It is tough, dimensionally stable, and will hold up to long-term use. To ensure product longevity, fauxwood products should not be mounted in very hot or cold areas.

### Care and Cleaning

Use mild soap and water to clean. Petroleum-based oils, solvents, and paints should not be used.

Standard hospital cleaning supplies are approved for use on our ABS plastic products.