



**MADE  
IN THE USA**

**Alternative Products (each sold separately):**

- AL-89800-V, Sign Holder - Vertical



AL-89800-H

**Product Description:**

- Sign Holder - Wall - Horizontal
- Holds 11" x 8.5" signage horizontally
- Screw holes for mounting to a Respiratory Hygiene Station or to a wall
- Made of Clear PETG Plastic

**Primary Area for Product Usage:**

- Anywhere signage is needed
- Especially useful at procedural or notification stations

**Dispenses:**

- 11" x 8.5" (27.9 cm x 21.6 cm) horizontal signage

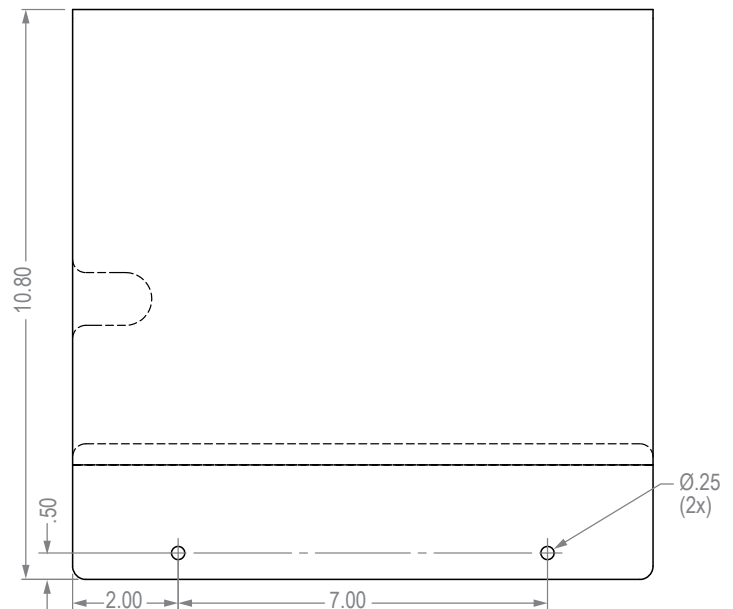
**Package Specifications:**

- Package Quantity: 12 per case
- 14"L x 12"W x 9"H (35.6 cm x 30.5 cm x 22.9 cm)
- 14.0 lbs (6.4 kg) - approximated

**Product Specifications (overall external dimensions):**

- 11.00"W x 10.90"H x 0.34"D (27.9 cm x 27.7 cm x 0.9 cm)
- 1.2 lbs (0.5 kg) - approximated

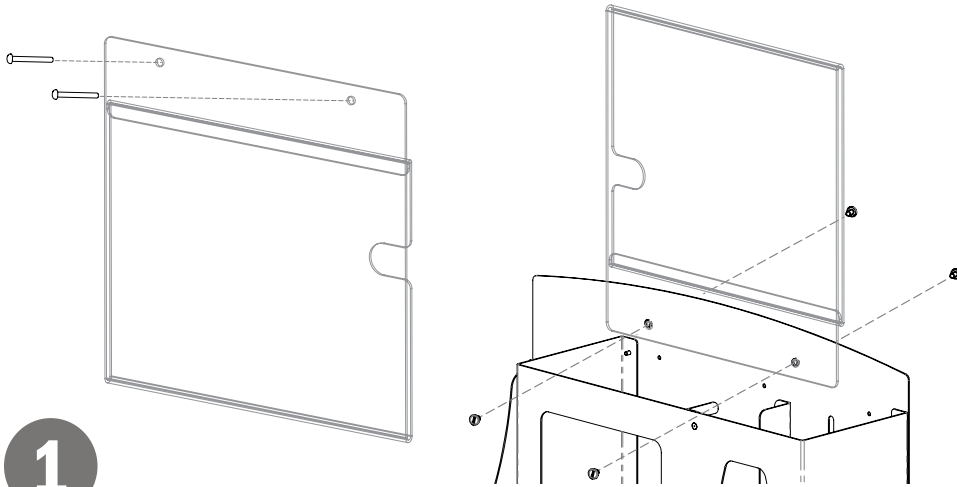
**Mounting Specifications:**



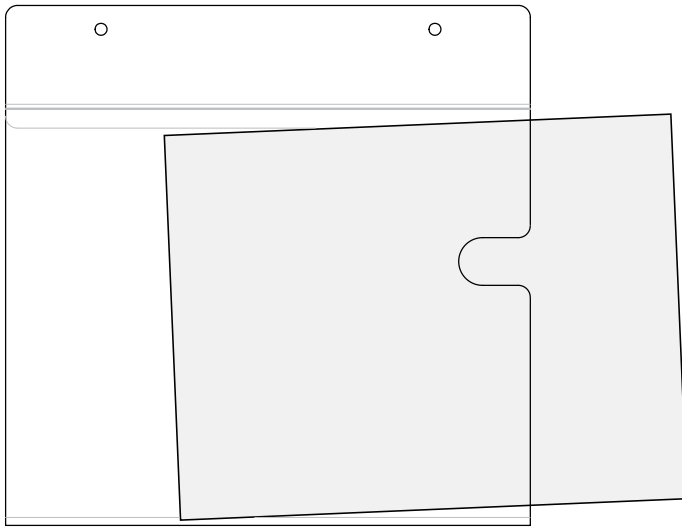
## Installation

Always mount dispensers securely *prior* to loading with product.

- Mount securely to surface with screws approved and supplied by building maintenance.



- Insert signage through side.
- Signs are easily removed using thumb cut out.



### Parts included:

- Dispenser
- Sets of Barrel Screws for attaching to Respiratory Hygiene Station (2x)

### Tools Required:

- No tools required to assemble dispenser

## Care and Construction PETG Plastic

### Material Characteristics

#### Designed for Long-Term Heavy-Duty Applications

Copolyester resin is designed for heavy-duty applications. We never use acrylic in our products.

Copolyester (PETG) is typically 15-20 times tougher than general purpose acrylic. PETG is made to withstand handling and reduce losses due to breakage.

PETG resists a variety of chemicals and commonly used cleaning agents. It is tough and durable (not brittle), providing years of trouble-free functionality and long life.

Clear optical characteristics mean the viewer can see the content, read text, and see true colors through the material. It complies with FDA regulations for food contact.

### Care and Cleaning

Most cleaning chemicals do not weaken the surface or cause damage to the material. Suggested cleaning method is to use a soft cloth, warm water, and mild soap.



**MADE IN THE USA**

**Alternative Products (each sold separately):**

- AL-89800-H, Sign Holder - Horizontal



AL-89800-V

**Product Description:**

- Sign Holder - Wall - Vertical
- Holds 8.5" x 11" signage vertically
- Screw holes for mounting to a Respiratory Hygiene Station or to a wall
- Made of Clear PETG Plastic

**Primary Area for Product Usage:**

- Anywhere signage is needed
- Especially useful at procedural or notification stations

**Dispenses:**

- 8.5" x 11" (21.6 cm x 27.9 cm) vertical signage

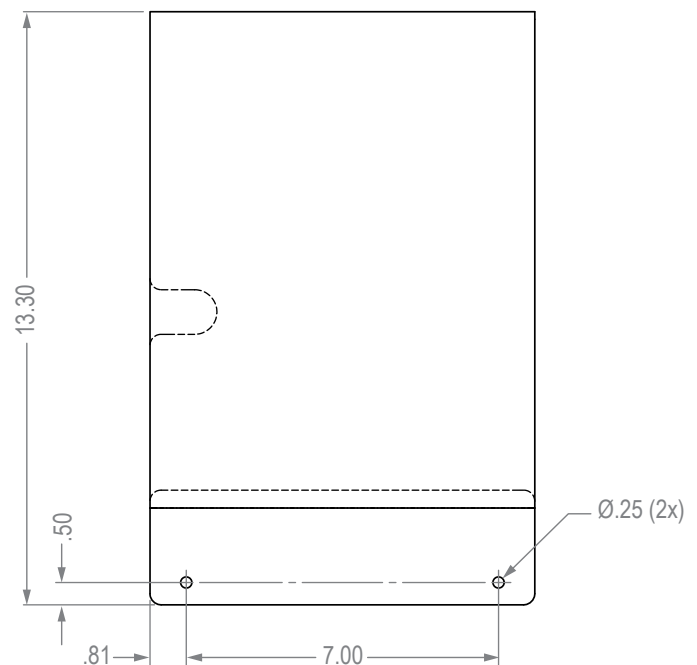
**Package Specifications:**

- Package Quantity: 12 per case
- 14"L x 12"W x 9"H (35.6 cm x 30.5 cm x 22.9 cm)
- 14.0 lbs (6.4 kg) - approximated

**Product Specifications (overall external dimensions):**

- 8.63"W x 13.36"H x 0.34"D (21.9 cm x 33.9 cm x 0.9 cm)
- 1.1 lbs (0.5 kg) - approximated

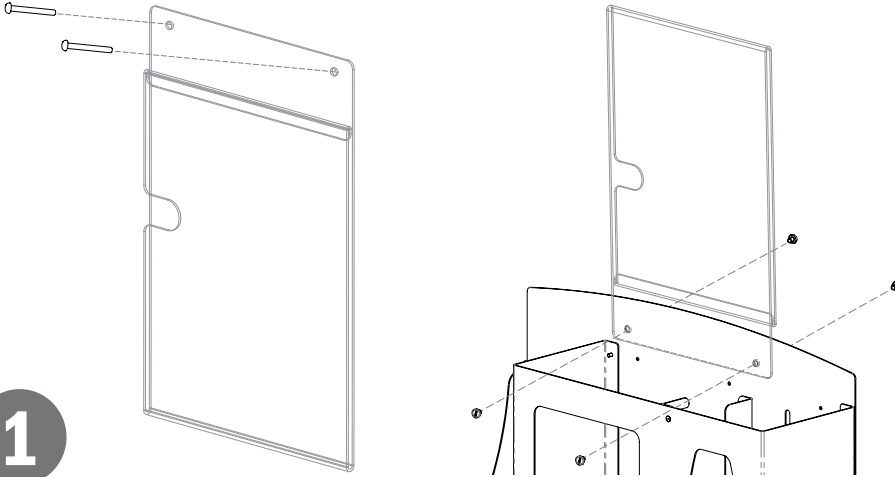
**Mounting Specifications:**



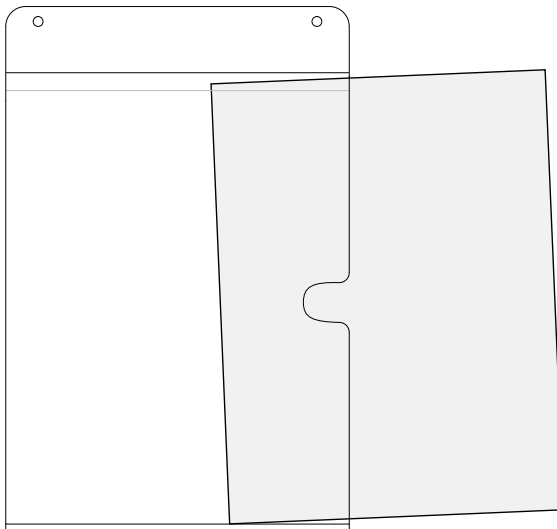
### Installation

Always mount dispensers securely *prior* to loading with product.

- When mounting to a wall, securely fasten to surface with screws approved and supplied by building maintenance.
- When mounting to a Respiratory Hygiene Station, use the barrel screws provided with the sign holder.



- Insert signage through side.
- Signs are easily removed using thumb cut out.



#### Parts included:

- Dispenser
- Sets of Barrel Screws for attaching to Respiratory Hygiene Station (2x)

#### Tools Required:

- No tools required to assemble dispenser

### Care and Construction PETG Plastic

#### Material Characteristics

#### Designed for Long-Term Heavy-Duty Applications

Copolyester resin is designed for heavy-duty applications. We never use acrylic in our products.

Copolyester (PETG) is typically 15-20 times tougher than general purpose acrylic. PETG is made to withstand handling and reduce losses due to breakage.

PETG resists a variety of chemicals and commonly used cleaning agents. It is tough and durable (not brittle), providing years of trouble-free functionality and long life.

Clear optical characteristics mean the viewer can see the content, read text, and see true colors through the material. It complies with FDA regulations for food contact.

#### Care and Cleaning

Most cleaning chemicals do not weaken the surface or cause damage to the material. Suggested cleaning method is to use a soft cloth, warm water, and mild soap.