



**MADE IN THE USA**

**Product Description:**

- Floor Stand
- Accommodates a variety of Respiratory Hygiene Stations
- Column with square base and mounting top plate for companion product
- Assembly hardware is included
- Quartz Beige Powder-Coated Steel

**Primary Area for Product Usage:**

- Ports of entry: waiting rooms, lobbies, elevators
- Medical offices or clinics

**Dispenses:**

- Accommodates a variety of Hygiene Stations

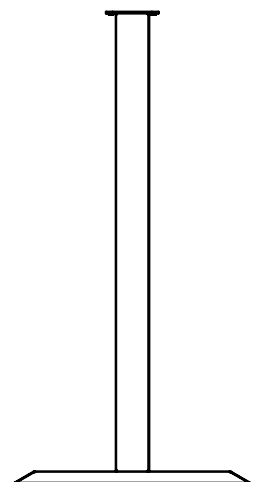
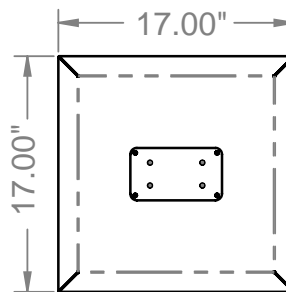
**Package Specifications:**

- Package Quantity: 1 per case
- 36"L x 20"W x 6"H (91.4 cm x 50.8 cm x 15.2 cm)
- 20.0 lbs (9.1 kg) - approximated

**Product Specifications (overall external dimensions):**

- 17.00"W x 36.06"H x 17.00"D (43.2 cm x 91.6 cm x 43.2 cm)
- 14.6 lbs (6.6 kg) - approximated

**Mounting Specifications:**



**Companion Products (each sold separately):**

- AL-89812: Infection Prevention System
- Any Respiratory Hygiene Station

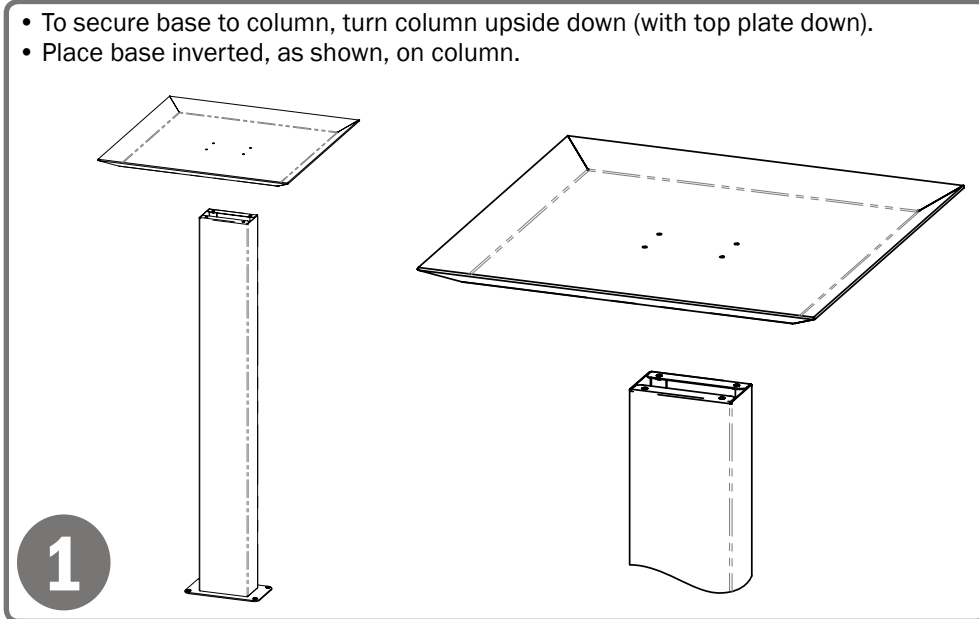


AL-89802 and  
AL-89000-H on  
AL-89799-0412

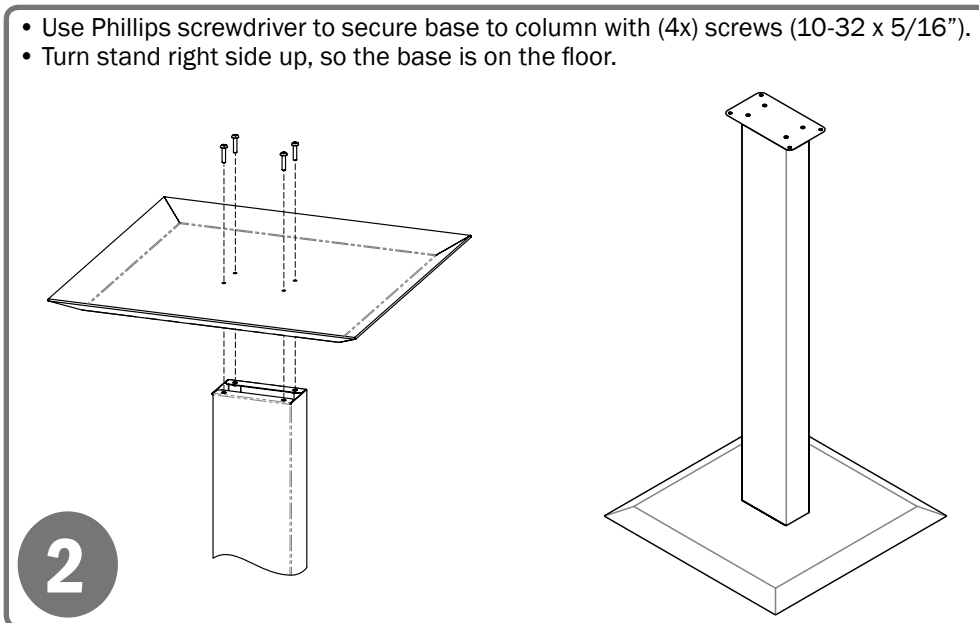
### Installation

Always mount dispensers securely *prior* to loading with product.

- To secure base to column, turn column upside down (with top plate down).
- Place base inverted, as shown, on column.



- Use Phillips screwdriver to secure base to column with (4x) screws (10-32 x 5/16").
- Turn stand right side up, so the base is on the floor.



#### Parts included:

- Column
- Base
- Hardware
- (8x) Screws: (4x) for stand, (4x) included to attach companion product (Phillips type 10-32 x 5/16")

#### Tools Required:

- Phillips screwdriver

### Care and Construction Powder-Coated Steel

#### Material Characteristics

#### Designed for Long-Term Use

Our steel dispensers and stands are coated with polyester powders which makes them highly resistant to corrosion.

Powder-coated steel is ideal for dispensers used in a healthcare or an industrial setting because it is impact resistant and is not effected by extremes in temperature.

Dispensers and stands made of powder-coated steel are both attractive and functional, providing years of service.

#### Care and Cleaning

For best results, clean by washing the surface with a diluted solution of a mild, non-abrasive detergent in cold or warm water and a non-abrasive cloth. Standard hospital cleaning supplies can be used. Dry with a soft cloth. Do not use any solvent-based materials, abrasives (e.g. Scotch-brite, steel wool), or apply excessive force during cleaning.



MADE  
IN THE **USA**

**Companion Products (each sold separately):**

- AL-89798-0233, Respiratory Hygiene Station - Locking

**Related Products (sold as kits):**

- Cover Your Cough Compliance Kit
  - AL-89802, Respiratory Hygiene Station
  - AL-89799-0420, Floor Stand
  - AL-89800-V, Sign Holder - Vertical
- AL-89797-0233, Cover Your Cough Compliance Kit
  - AL-89798-0233, Respiratory Hygiene Station - Locking
  - AL-89799-0420, Floor Stand
  - AL-89800-H, Sign Holder - Horizontal



AL-89797-0233

**Product Description:**

- Floor Stand - Accommodates a variety of Respiratory Hygiene Stations
- Column with square base and mounting top plate for companion product
- Hardware is included
- Made of Black Powder-Coated Steel

**Primary Area for Product Usage:**

- Ports of entry: waiting rooms, lobbies, elevators
- Medical offices or clinics

**Dispenses:**

- Accommodates a variety of Hygiene Stations

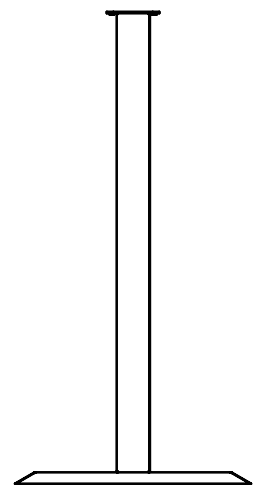
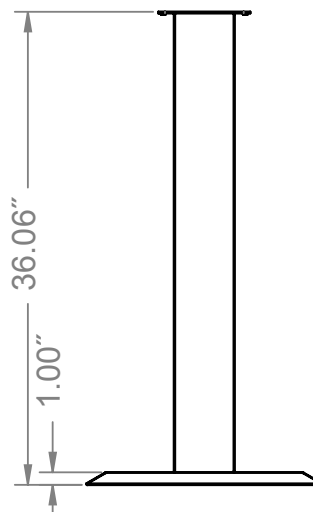
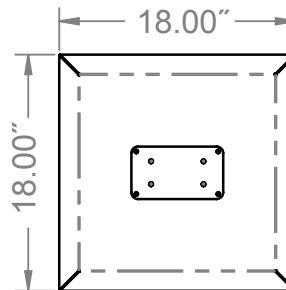
**Package Specifications:**

- Package Quantity: 1 per case
- 36"L x 20"W x 6"H (91.4 cm x 50.8 cm x 15.2 cm)
- 20.0 lbs (9.1 kg) - approximated

**Product Specifications (overall external dimensions):**

- 18.00"W x 36.06"H x 18.00"D (45.7 cm x 91.6 cm x 45.7 cm)
- 16.0 lbs (7.3 kg) - approximated

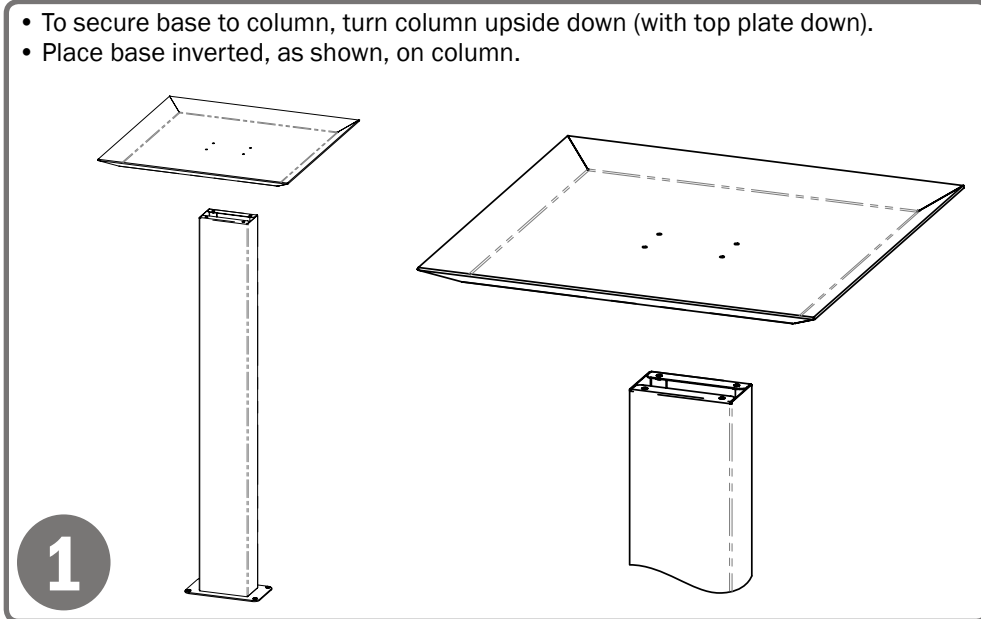
**Mounting Specifications:**



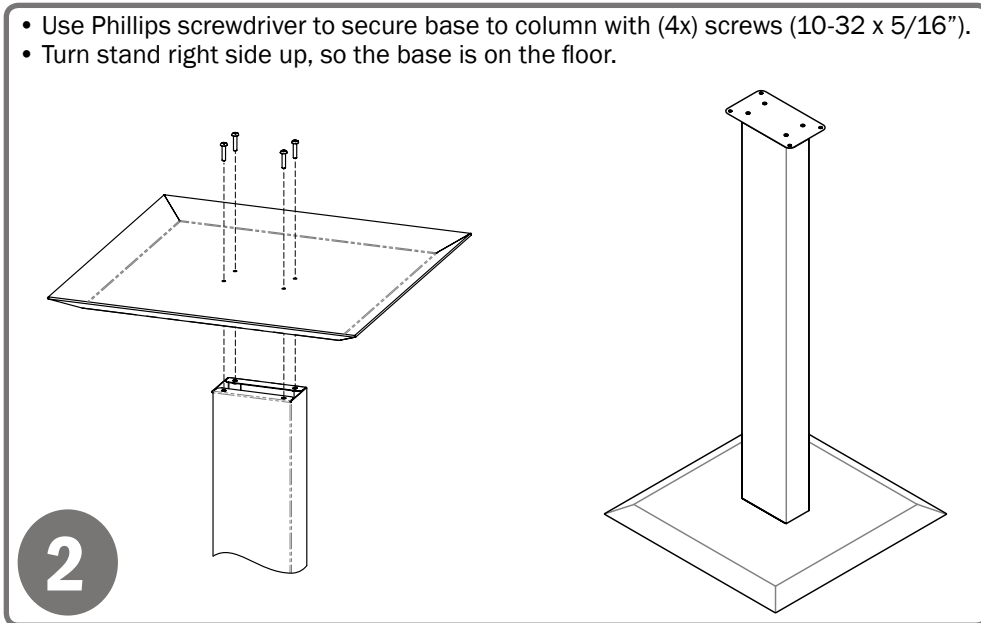
### Installation

Always mount dispensers securely *prior* to loading with product.

- To secure base to column, turn column upside down (with top plate down).
- Place base inverted, as shown, on column.



- Use Phillips screwdriver to secure base to column with (4x) screws (10-32 x 5/16").
- Turn stand right side up, so the base is on the floor.



#### Parts included:

- Column
- Base
- Hardware
- (8x) Screws: (4x) for stand, (4x) included to attach companion product (Phillips type 10-32 x 5/16")

#### Tools Required:

- Phillips screwdriver

### Care and Construction

Powder-Coated Steel

#### Material Characteristics

#### Designed for Long-Term Use

Our steel dispensers and stands are coated with polyester powders which makes them highly resistant to corrosion.

Powder-coated steel is ideal for dispensers used in a healthcare or an industrial setting because it is impact resistant and is not effected by extremes in temperature.

Dispensers and stands made of powder-coated steel are both attractive and functional, providing years of service.

#### Care and Cleaning

For best results, clean by washing the surface with a diluted solution of a mild, non-abrasive detergent in cold or warm water and a non-abrasive cloth. Standard hospital cleaning supplies can be used. Dry with a soft cloth. Do not use any solvent-based materials, abrasives (e.g. Scotch-brite, steel wool), or apply excessive force during cleaning.