

## Desktop Sneeze Guards

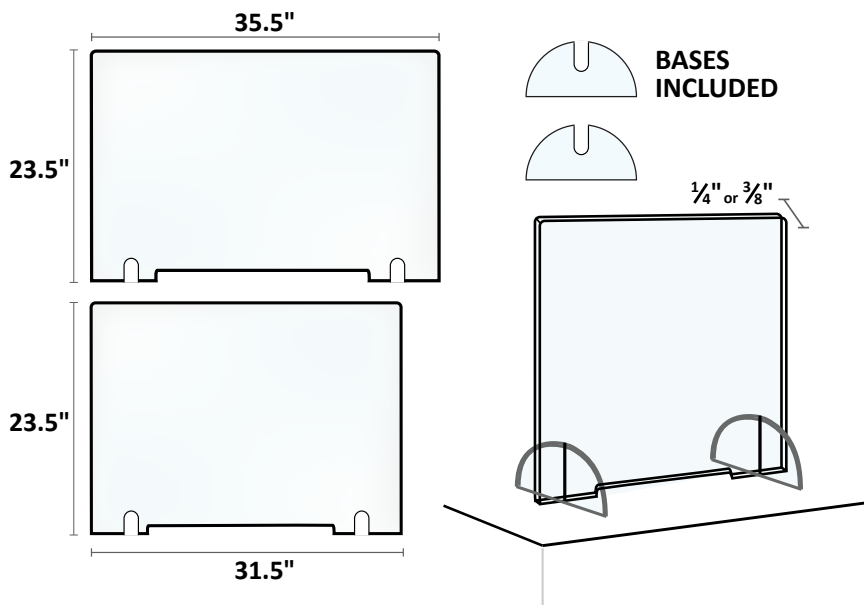
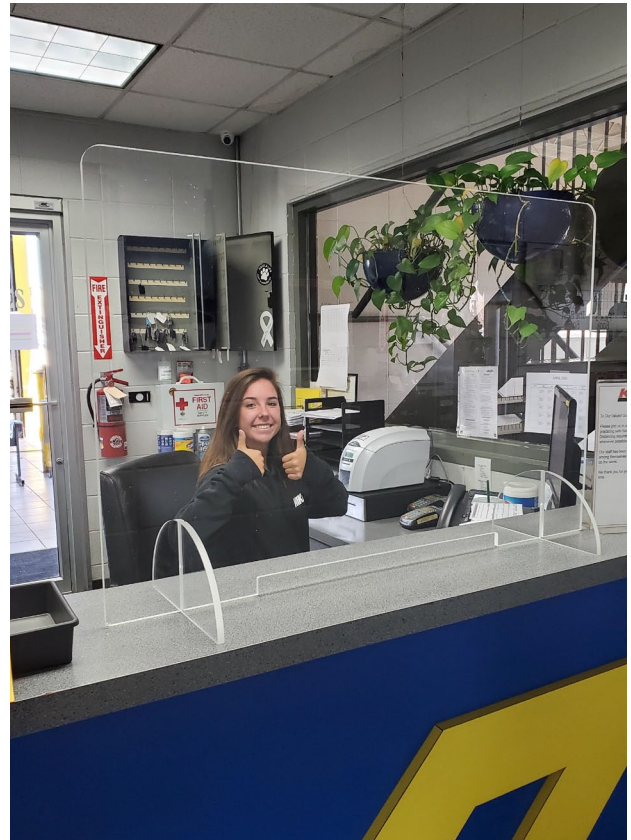
Social Distancing Protective Barriers

**CALL (800) 323-4282 FOR BULK PRICING DISCOUNTS**

Adding a desktop sneeze guard to any point-of-sale countertop is a proactive way to further protect your employees and customers.

Desktop sneeze guards are assembled in seconds, sliding into included bases with no hardware required. They can be used on any countertop, are easy to clean, and portable. Desktop sneeze guards come with a built-in 18" wide pass-through slot at the bottom to allow documents or wires through while remaining effective as a physical barrier.

ALCO offers custom sizes on request and discounts for bulk purchases. Call us at (800) 323-4282 for more information and to place an order.



*Standard Sizes:*

35.5" x 23.5"

31.5" x 23.5"

1/4" and 3/8" Thickness

- Assembles in Seconds
- Custom Sizes Available
- Expedited Shipping Available
- Discounts for Bulk Orders
- Lightweight and Portable
- Easy to Clean and Disinfect

*Slide on the included bases and assembly is complete!*



WARNING: This product can expose you to chemicals including Bisphenol A, CAS 80-05-7, which is known to the State of California to cause birth defects or other reproductive harm. For more information go to [www.P65Warnings.ca.gov](http://www.P65Warnings.ca.gov)

WARNING: This product can expose you to chemicals including Ethyl acrylate, CAS 140-88-5, which are known to the State of California to cause cancer. For more information go to [www.P65Warnings.ca.gov](http://www.P65Warnings.ca.gov).