




USER'S INSTRUCTION – OVERBED TABLE - AL-88345

Tools needed: Phillips screwdriver, 5/8 wrench, two M6 wrenches (you may wish to use appropriate socket or adjustable wrenches instead)


-  **WARNING:** If components are damaged or missing, contact your dealer immediately. **DO NOT** use substitute parts.
-  **WARNING! Important!** Read and understand these instructions before assembling or using the Overbed Table. If you do not understand any part of these instructions, contact a healthcare professional for direction in the use of this product. If the overbed table is not properly assembled and adjusted, personal injury and/or damage to the overbed table could result.
-  **WARNING:** ALCO Sales & Service Co. assumes no responsibility for any damage or injury caused by improper assembly or use of this product.


ASSEMBLY INSTRUCTIONS

Unpacking

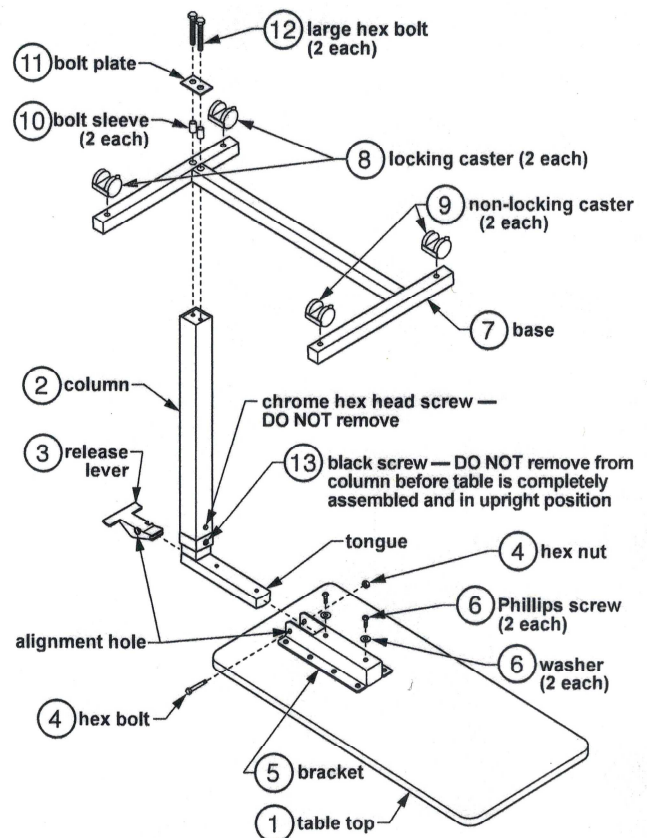
1. Open end of box.
2. Slide contents out of box.
3. Collect base, table top, column, and hardware.

Assembly (see picture at right)

 **WARNING: DO NOT** remove the black screw (13) from the column (2) before the table is completely assembled and in upright position; the table top could rise suddenly and cause serious personal injury.

 **WARNING: The column is spring-loaded — DO NOT** disassemble the column; this could cause serious personal injury.

1. Place table top (1) upside down on level surface.
2. Ensure the release rod (not shown, inside column) is fully inside the column (2), then insert the column tongue into the table top bracket (5) as shown at right. Align the tongue and bracket holes. Insert — but do not tighten — the two Phillips screws (6) and washers (6) as shown through bracket into tongue.
3. Position the release lever (3) as shown, with curved side facing table top, and install in column. Match the release lever and bracket alignment holes, then insert hex bolt (4) through both to secure release lever to bracket. Install hex nut (4) on bolt. Use two M6 wrenches to tighten. Use a Phillips screwdriver to now tighten the Phillips screws (6) that secure bracket to tongue.
4. Note orientation of base caster holes, facing away from table top as shown, and place the base (7) above the column. Install the two large hex bolts (12) through the bolt plate (11), bolt sleeves (10), base, and into the end of the column as shown. Use a 5/8 wrench to tighten the bolts.
5. Install the casters (8) and (9) as shown: press the casters in until they lock into place.
6. **TURN THE TABLE UPRIGHT** and place it on the floor. Use a Phillips screwdriver to remove the black screw (13); discard it and replace it with the chrome screw (14). Use a Phillips screwdriver to tighten the screw.
7. Remove protective film from table top surface.



 **WARNING:** Ensure that the table is assembled as described, and that all components are securely attached, before use.

OPERATION INSTRUCTIONS

 **WARNING:** DO NOT lean on the suspended end of the table top; this may cause the table to tip.

 **WARNING:** The table supports up to 30 lbs of dispersed weight. DO NOT exceed this limit.

To raise the table top

To raise the table top, apply light pressure upward at any point on bottom of table top and stop when the table top has reached the desired height.

To lower the table top

To lower the table top, squeeze the release lever upward while pushing the table top down at column until table top has reached the desired height. **DO NOT** put pressure on table top end opposite column. Column will lock when lever is released.

To lock and unlock casters

The two column-end casters have step-on locks. Step on locks to lock casters; pull locks up to unlock casters.

MAINTENANCE

Check the fit and tightness frequently of all hardware to ensure that the table is securely assembled.

Cleaning

1. To clean: Gently wipe the table with a soft, clean, damp cloth.

 **CAUTION:** DO NOT use cleansers that may damage the table's finish.

2. To wash more thoroughly: Clean with mild soap and water.

3. Dry table with a clean, soft cloth.

LIMITED WARRANTY

This warranty is extended only to the original purchaser/ user of our product. The warranty does not cover commercial use (such as rental or institutional use) and is not transferable. ALCO warrants that it is free of defects in material and workmanship and that, when operated within the guidelines and restrictions of this manual, will remain so free of defects in material and workmanship for a period of SIX (6) Months from the original date of purchase.

This warranty does not extend to those items which may require replacement due to normal wear and tear. This warranty excludes damage due to negligence, abuse, misuse, contamination, accident, improper operation, maintenance, or storage, or any circumstances beyond the control of ALCO.

The warranty shall not apply to problems arising from normal wear or failure to follow instructions or maintain the product. Failure to follow the instructions and warnings can result in personal injury or product damage and will void product warranty. This warranty does not extend to products modified without ALCO's expressed written consent and any unauthorized modification will void this warranty.

This warranty does not include any labor charges incurred for the repair of the product or replacement part installation. Do not return defective products without prior written authorization. Transportation costs and shipping damage while submitting for product repair or replacement are responsibilities of the purchaser, not ALCO. However, the return shipping cost to the customer will be prepaid.

The foregoing warranty is exclusive and in lieu of all other warranties expressed or implied including, but not limited to, the implied warranty of merchantability and fitness for a particular purpose. ALCO will not be liable for any consequential or incidental damages whatsoever.



*Specifications in this instruction are subject to change without notice.

info@alcosales.com | 800.323.4282 | www.alcosales.com