

AL-86065 SmartStack Equipment Stand



Large, Smooth Rolling
Casters with 2 Wheel
Locks



*“The affordable, nesting design creates
the ultimate cost savings for your hospital”*



Heavy Duty Aluminum
Mounting Plate

► Ultimate Savings

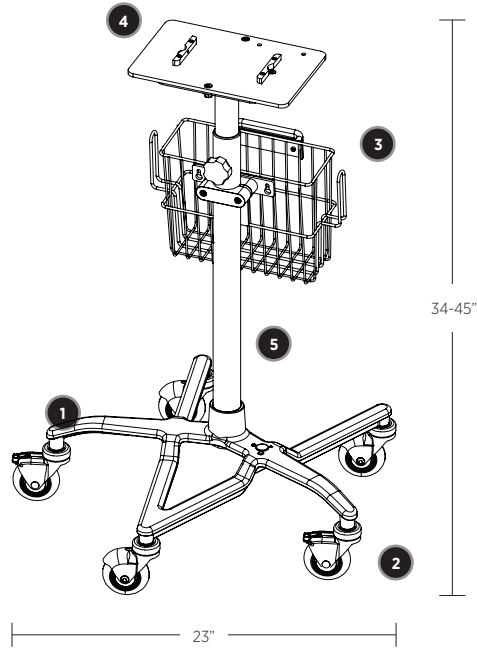
ALL-NEW! The SmartStack nesting equipment stand.

SmartStack Nesting Design: The bases patented design will stack neatly with other bases of its kind, allowing for extra storage space, a more organized facility and easy transportation of multiple stands all at once.

*This SmartStack Equipment Stand was designed for use with Respironics, REMstar, System One, BiPAP & CPAP units.

Part Numbers

Stand for RespironicsAL-86065



1. SmartStack Base

Durable Aluminum Base

2. Locking Casters

High Quality Locking Casters

3. Wire Basket

Guidance Handle and Cord Hooks

4. Heavy Duty Mounting Plate

Securely Mount BiPap unit to stand

5. Chrome Plated Pole

1 3/4" Chrome Plated Pole

Specifications

Collapsed Height:34" (Measured from floor to mounting plate)
Extended Height:	45" (Measured from the floor to the mounting plate)
Casters:	Neoprene Tread, Chrome Steel, 3" QTY: 5, 2 Locking, 3
Weight Capacity	100 lbs total
Wheel Base Diameter22"
Nesting Base	8" center to center
Weight	20 lbs
Shipping Weight	12 lbs (Pole, basket, plate) 12 lbs (Base and castors)
Pole Diameter	1.75" (Bottom portion) 1.5" (Upper Portion)
Base Material	Powder Coated Aluminum
Pole Material	Stainless Steel
Restrictions	Not MRI Compatible
Warranty	48 Months

