

## AL-85852 EXIT BUTTON WITH INTEGRATED TIMER INSTALLATION AND OPERATING INSTRUCTIONS

### DESCRIPTION

AL-85852 is a rectangular exit button, mounted on a 1 3/4" S.S. narrow style key plate. It has a 3A switching capacity and a timer set for 30 seconds. These units are intended only for release of a magnetic lock from the inside of a door. When the button is pressed, the lock releases for 30 seconds. If pressed again during the 30-second lock release period, the unit will "retrigger" starting a new 30-second lock release period. These buttons are specifically intended for installation on access controlled egress doors, as described in the Building Officials and Code Administrators (BOCA) code. A motion detector, such as the AL-85851, is the primary means of magnetic lock release on the door. The AL-85852 exit button is employed as a backup means of releasing the lock in case of a problem with the motion detector. It should be noted that the exact release time will vary with temperature, but it will not be less than 30 seconds.

### UL294 ACCESS CONTROL PERFORMANCE LEVELS

The following are the UL294 access control performance levels:

- Destructive Attack = Level 1
- Line Security = Level 1
- Endurance = Level 1 (6,000 cycles)
- Standby Power = Level 1

### MOUNTING THE AL-85852 EXIT BUTTON

1. MOUNT the AL-85852 directly on a narrow style aluminum door frame.

### WIRING THE AL-85852

#### CAUTION

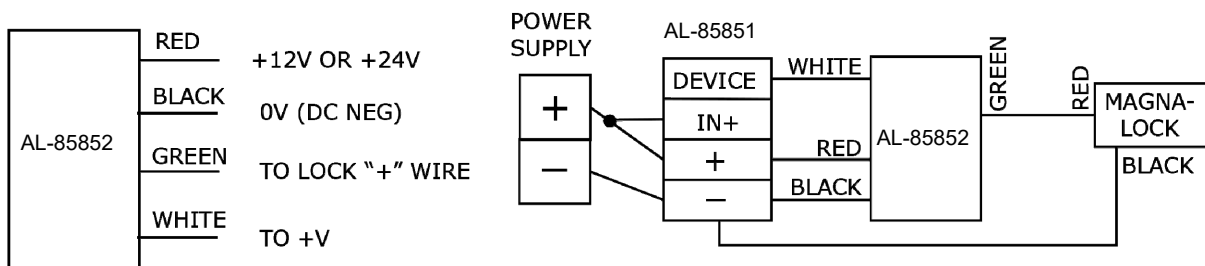
**THE AL-85852 can be damaged if operated on 24 VDC with the jumper in place, or operated on a power supply different than what is operating the magnetic lock.**

**NOTE 1:** The AL-85852 can operate on 12 VDC or 24 VDC, and can accept the use of full-wave rectified DC (transformer and bridge rectifier).

**NOTE 2:** AL-85852 is factory shipped with the jumper in place (12 VDC). If jumper is removed, unit operates on 24 VDC.

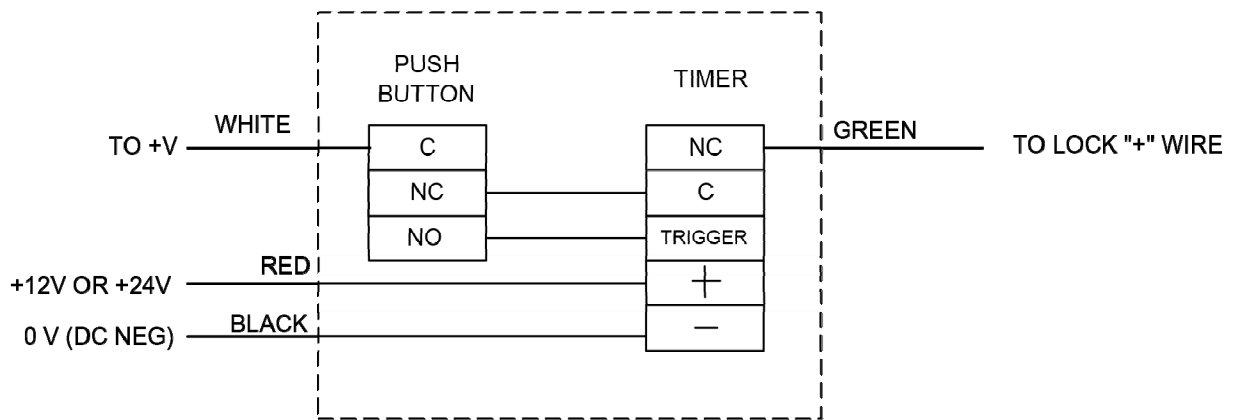
**NOTE 3:** AL-85852 draw no current when at rest, and only draw 28 mA at 12 VDC or 38 mA at 24VDC when releasing the lock.

1. WIRE the AL-85852 in accordance with Figure 1, "Wire Identification and Typical Connection," and Figure 2, "Internal Schematic."



**NOTE:** Positive input voltage on the white wire must be from the same power source that the red and black wires are connected.

Figure 1. Wire Identification and Typical Connection



**NOTE:** Positive input voltage on the white wire must be from the same power source that the red and black wires are connected.

**Figure 2. Internal Schematic**

### CHANGING THE ALTERNATE LENS ON THE AL-85852

1. While holding keyplate, GRASP the top and bottom of the lens and PULL straight out from the keyplate.
2. PLACE a new lens over the switch face, and ENSURE the text on the lens is correctly reading to the keyplate.
3. PRESS completely until it snaps into place.
4. DEPRESS the lens several time to ensure smooth operation and the lens is not binding.

### MAGNACARE® WARRANTY

LIFETIME - NO FAULT – TOMORROW

- Lifetime - We guarantee our products, and since we've been making Magnalocks for over 35 years that's a promise you can trust
- No Fault - for any reason, including but not limited to installation error, vandalism or act of God
- Tomorrow - replacement product is shipped at ALCO's expense, next day air if needed
- Hassle Free - No product registration is required

[www.alcosales.com](http://www.alcosales.com)