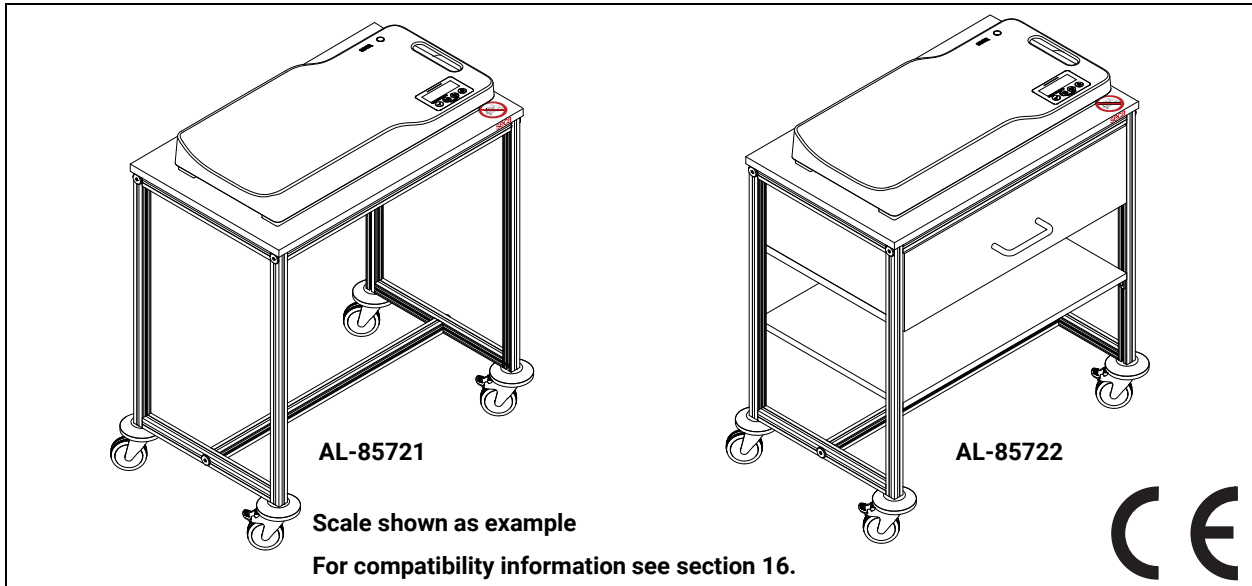


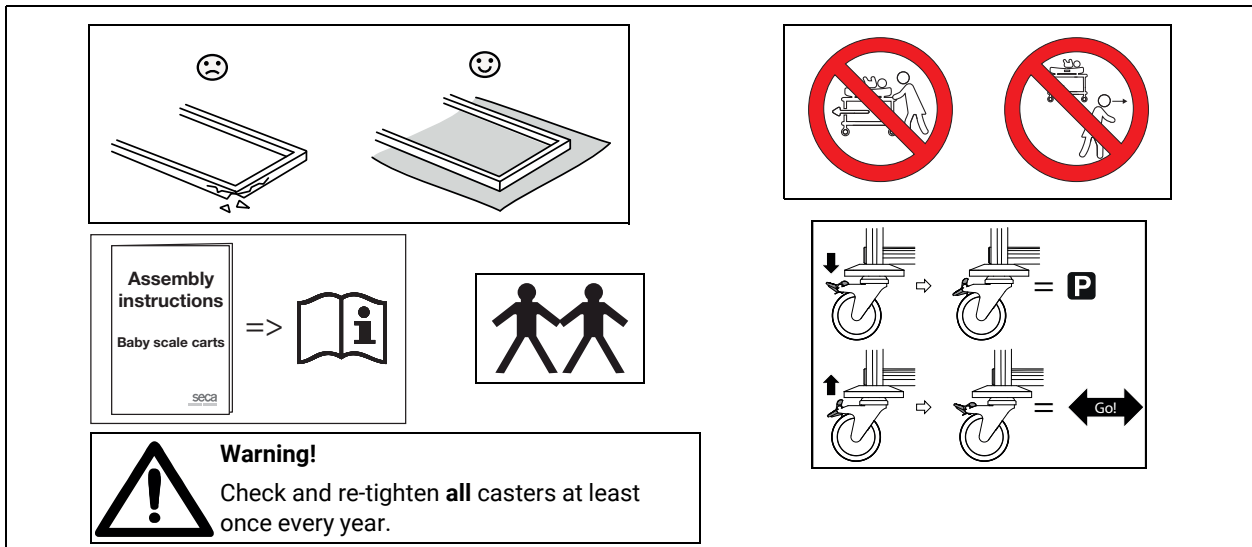
Assembly Instructions Baby Scale Carts

AL-85721 & AL-85722

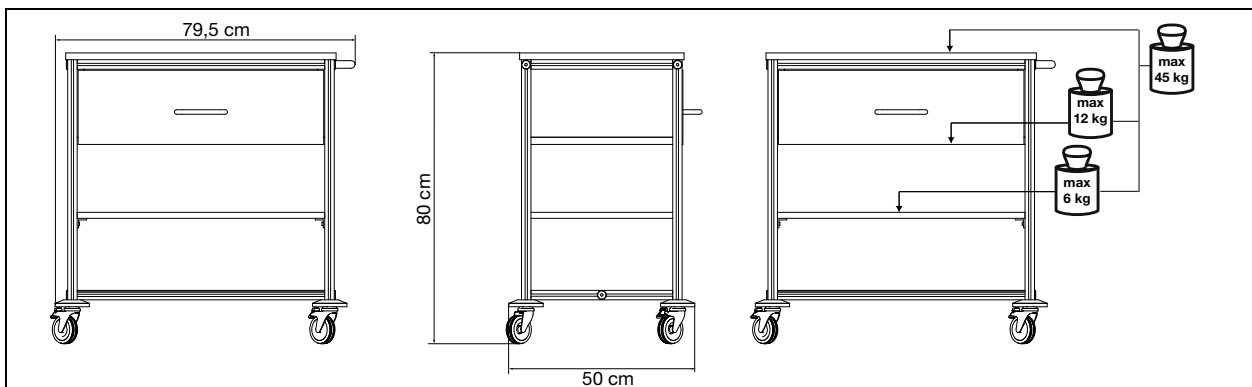
1. PRODUCTS IN THIS MANUAL/INTENDED USE



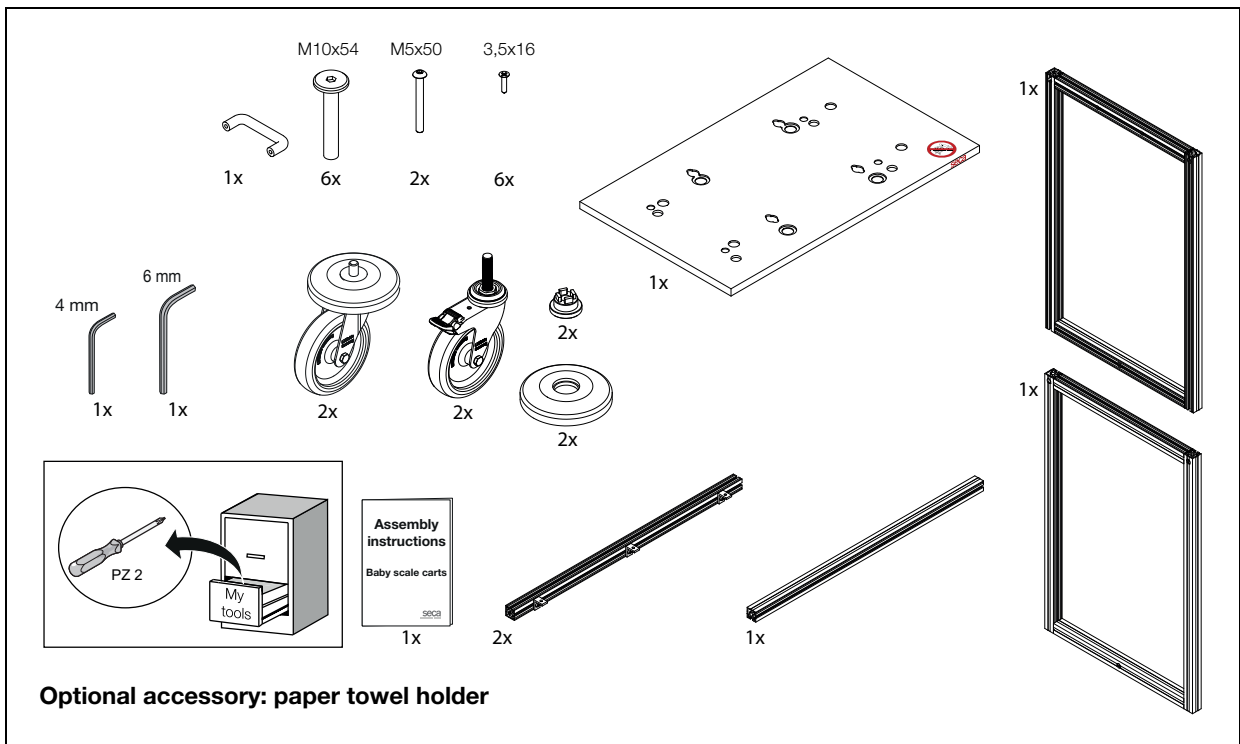
2. SAFETY PRECAUTIONS



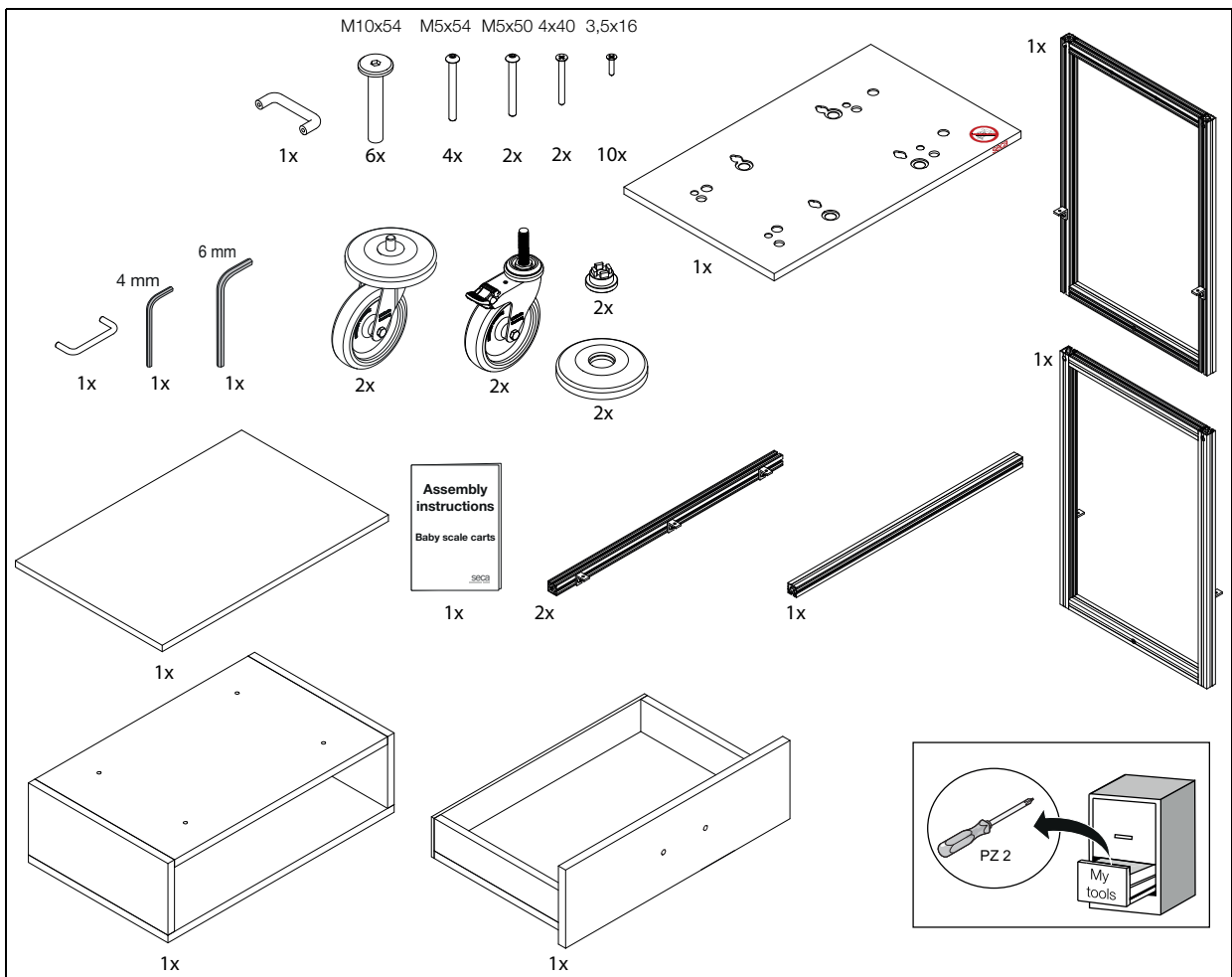
3. DIMENSIONS AND MAXIMUM LOADS (AL-85722 SHOWN)



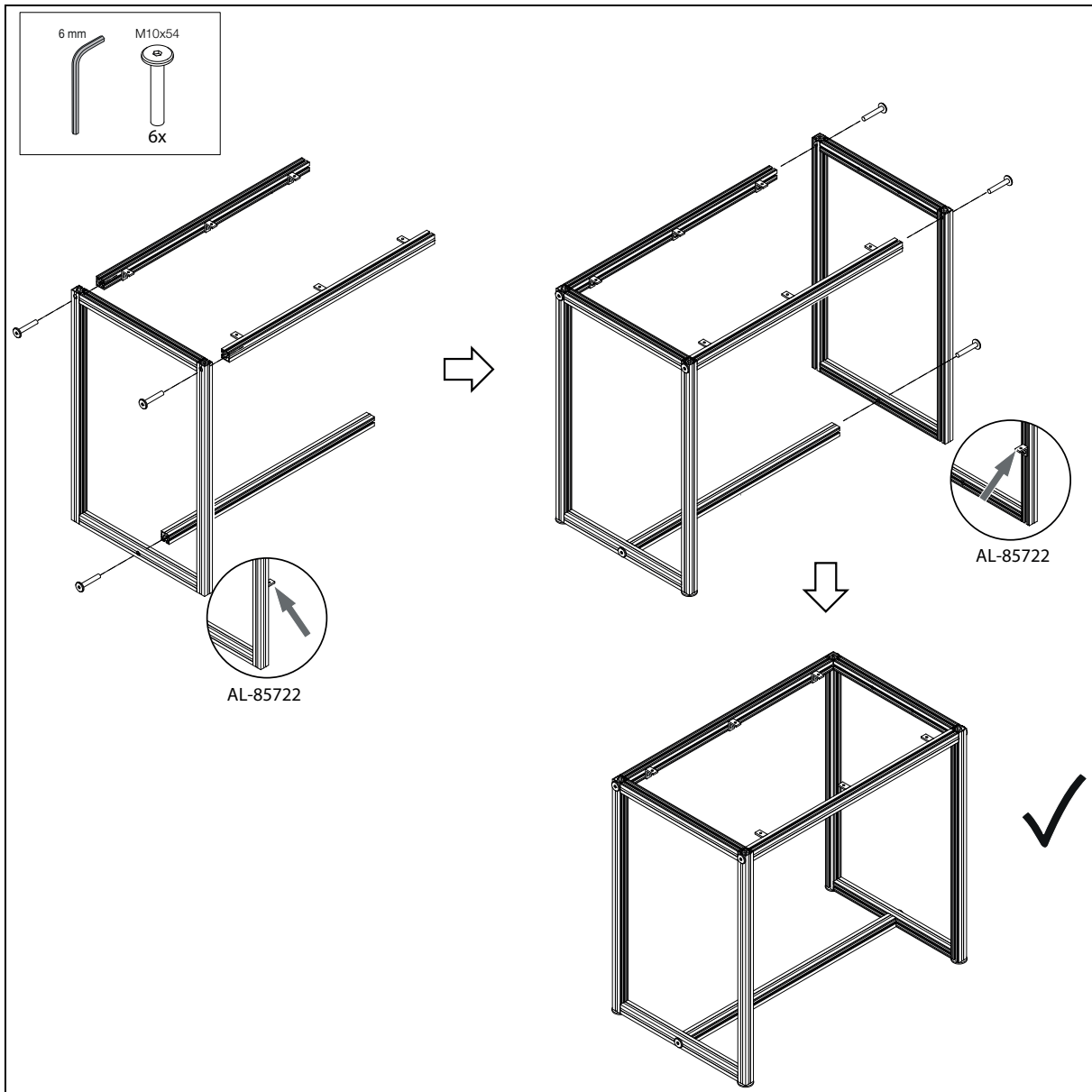
4. AL-85721 SCOPE OF DELIVERY



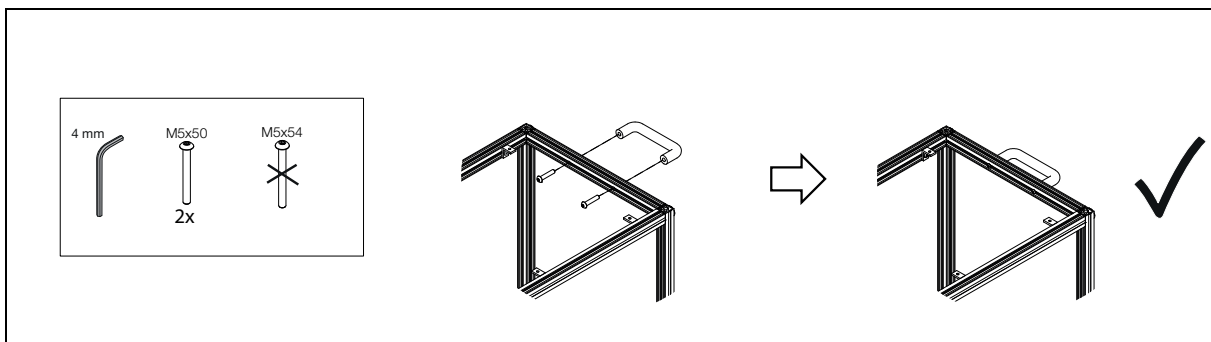
5. AL-85722 SCOPE OF DELIVERY



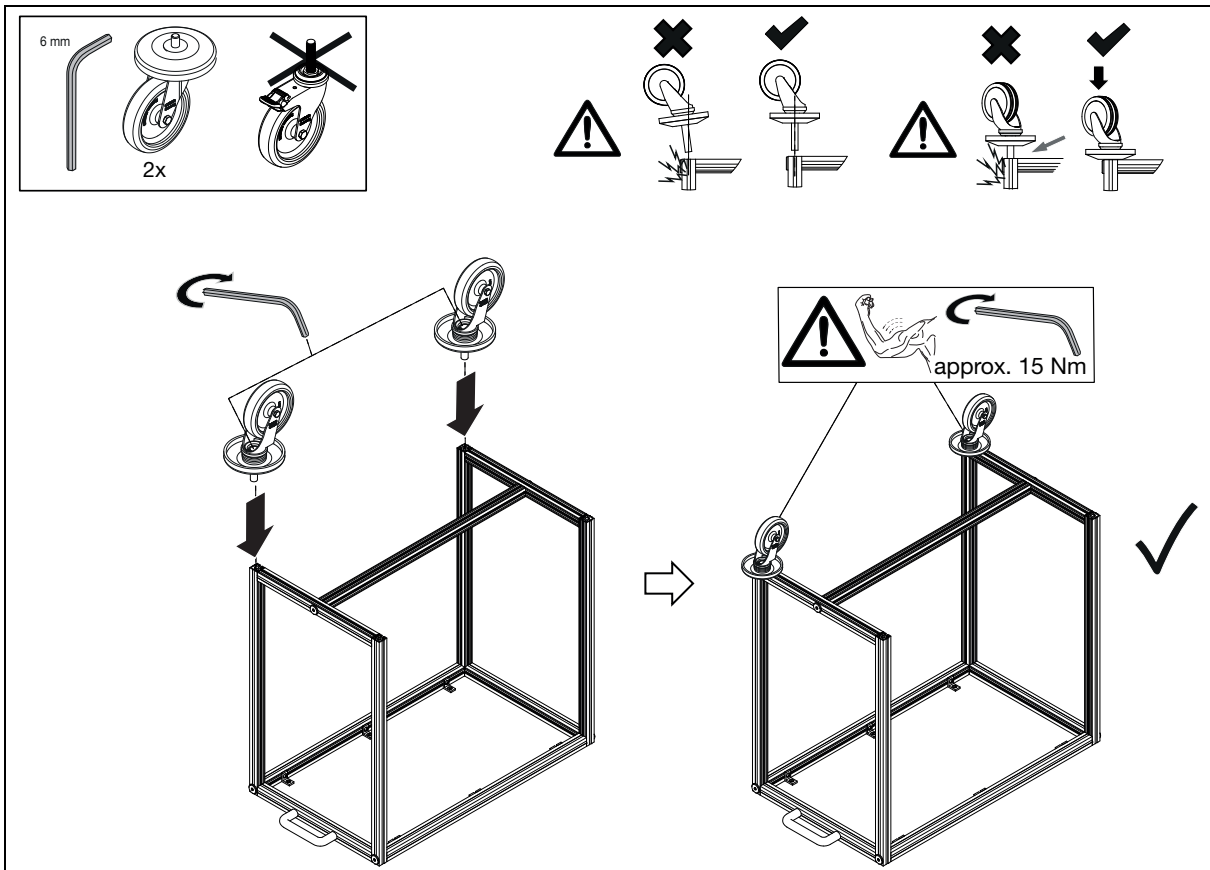
6. ASSEMBLING THE FRAME



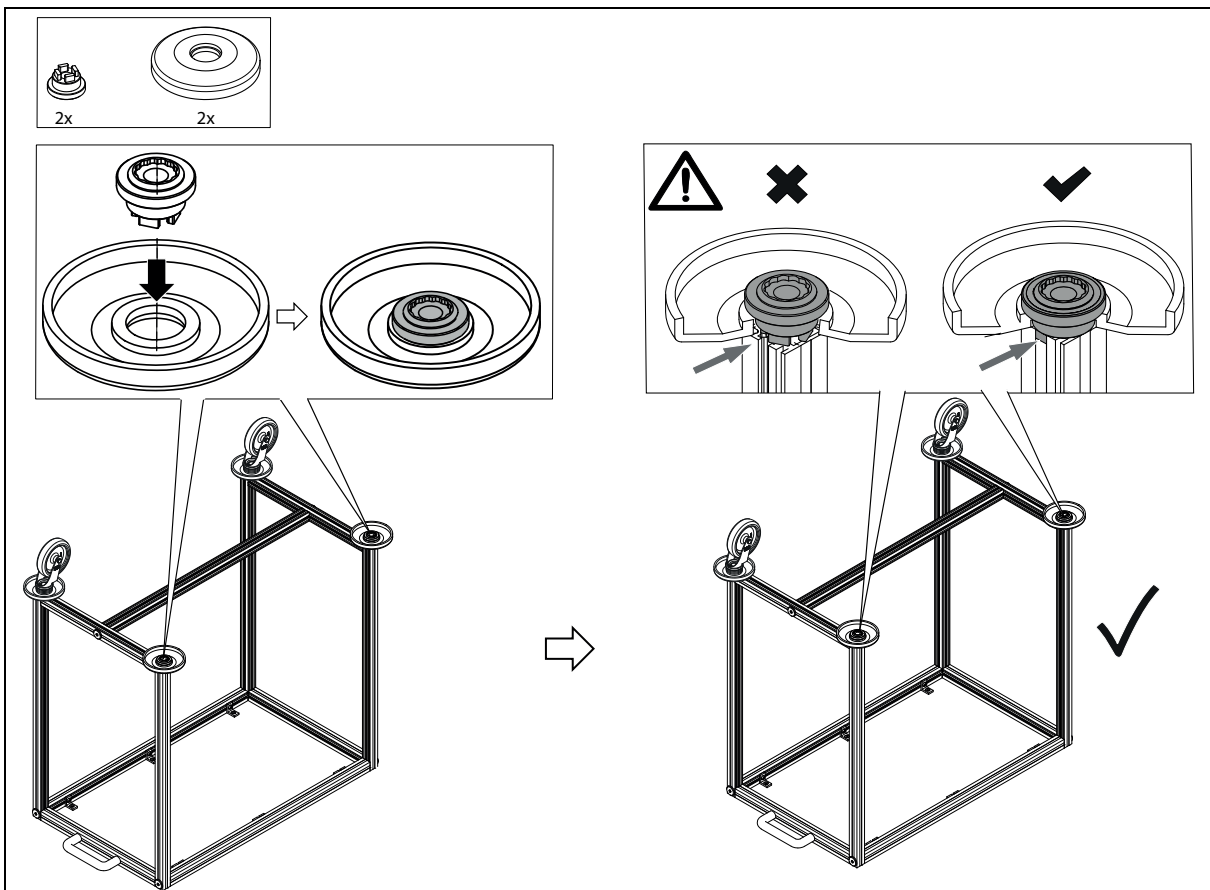
7. MOUNTING THE HANDLE

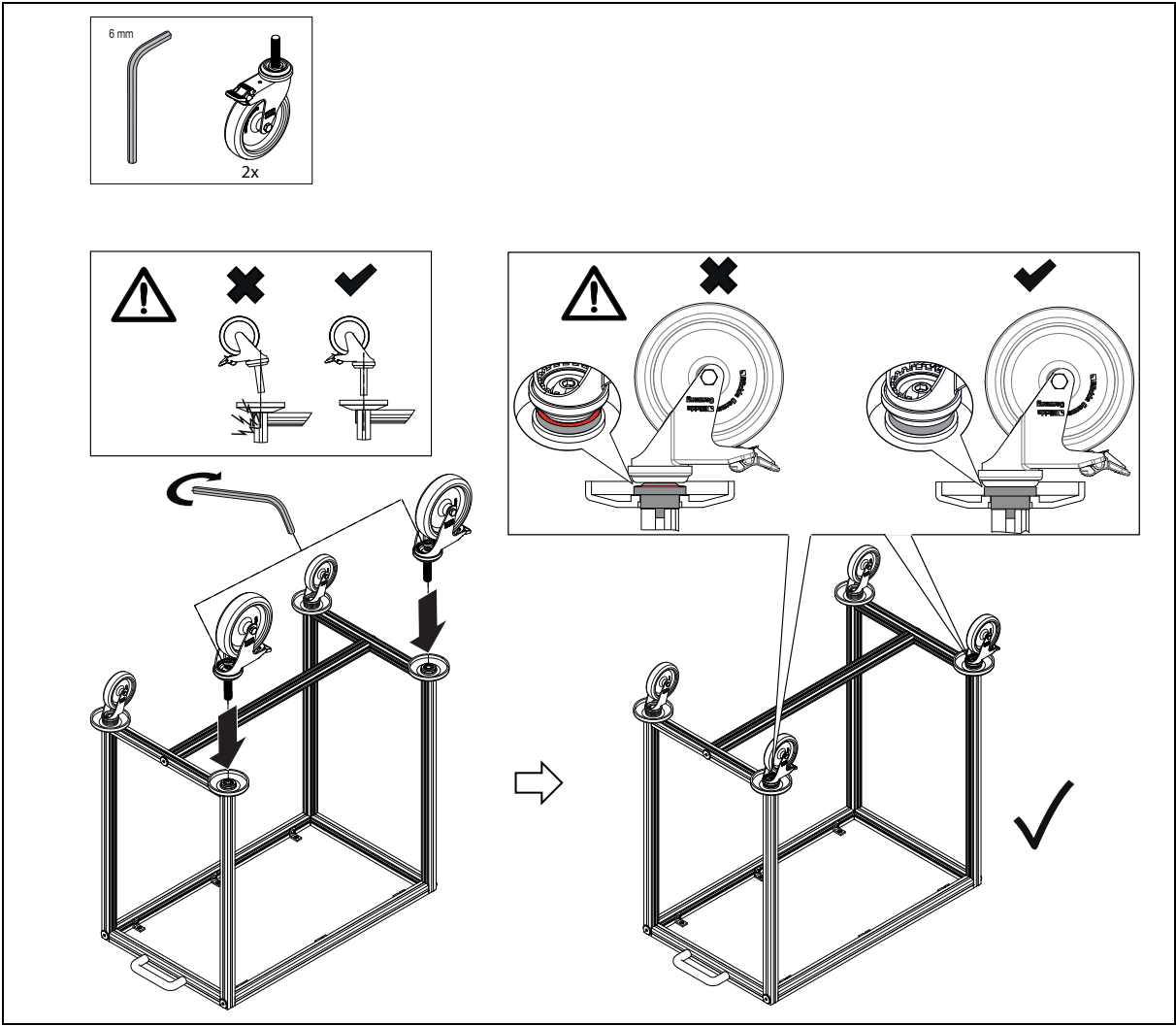


8. MOUNTING THE UNBRAKED CASTERS (AL-85721 SHOWN)

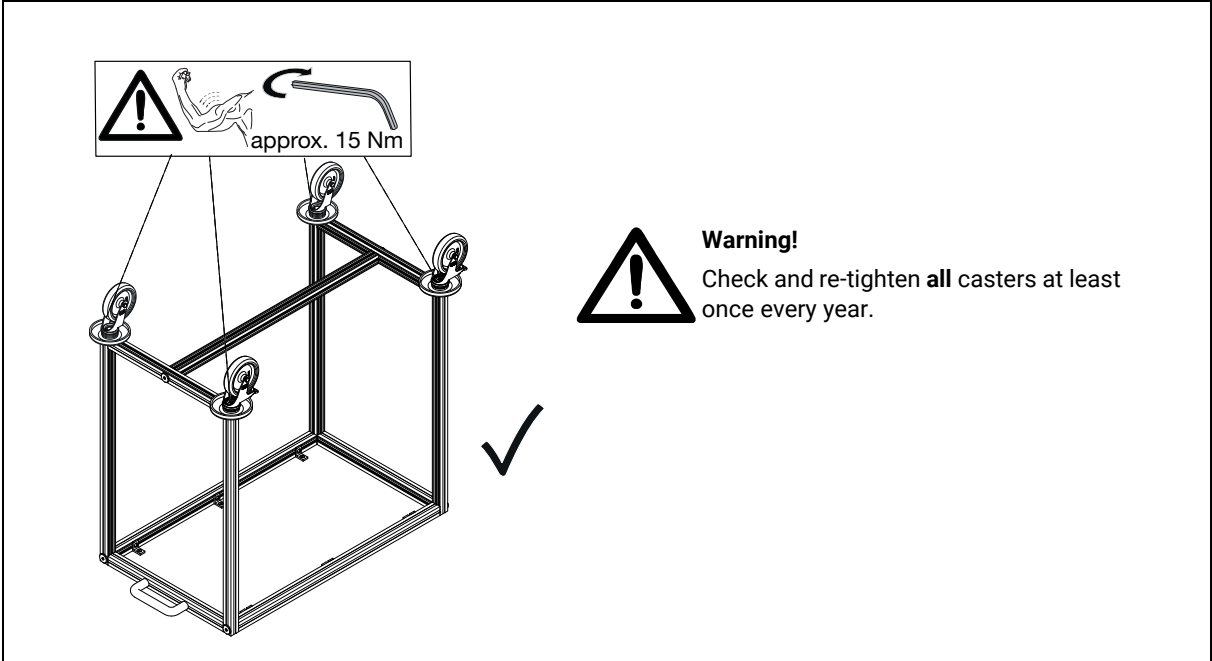


9. MOUNTING THE BRAKED CASTERS (AL-85721 SHOWN)

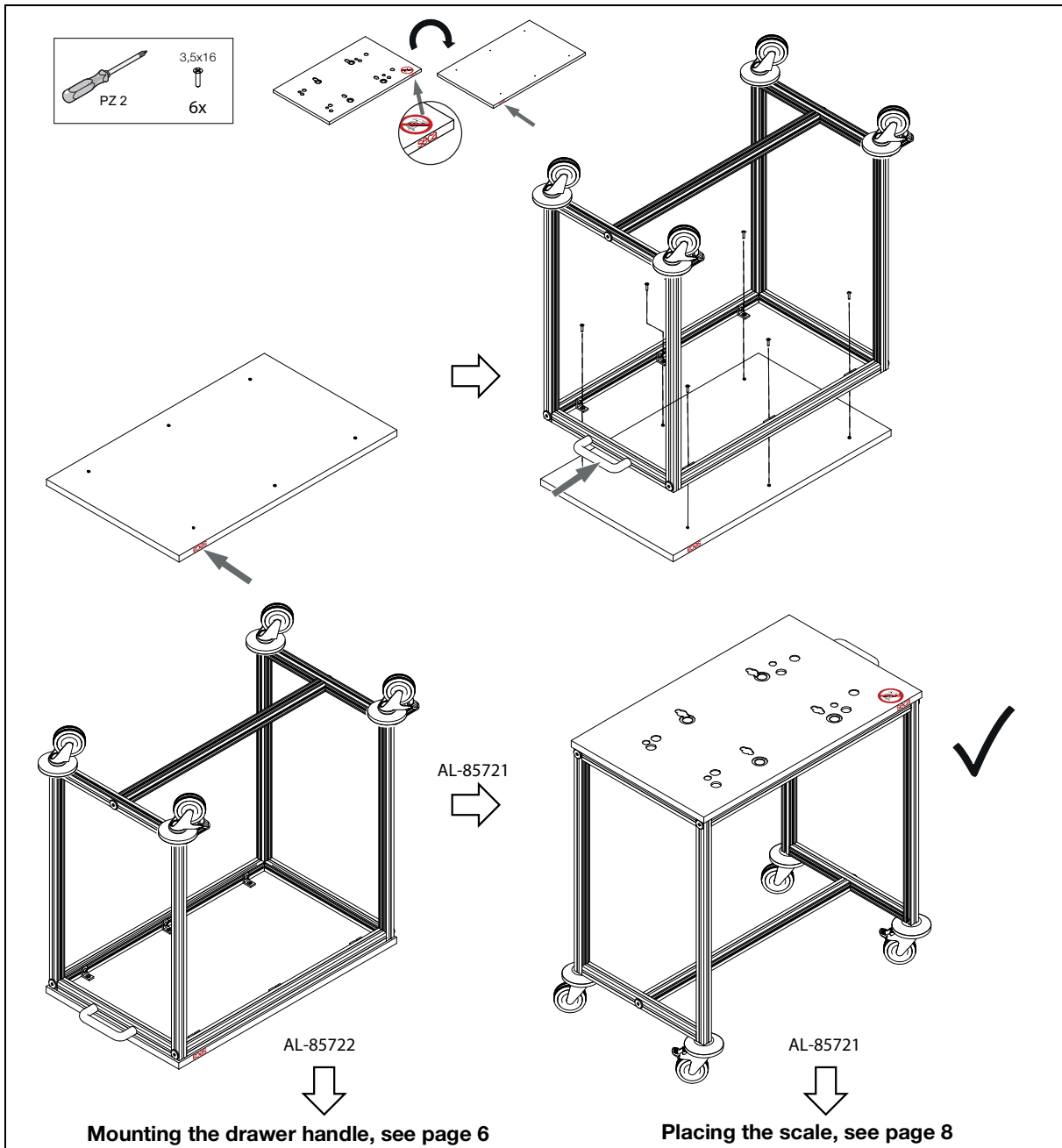




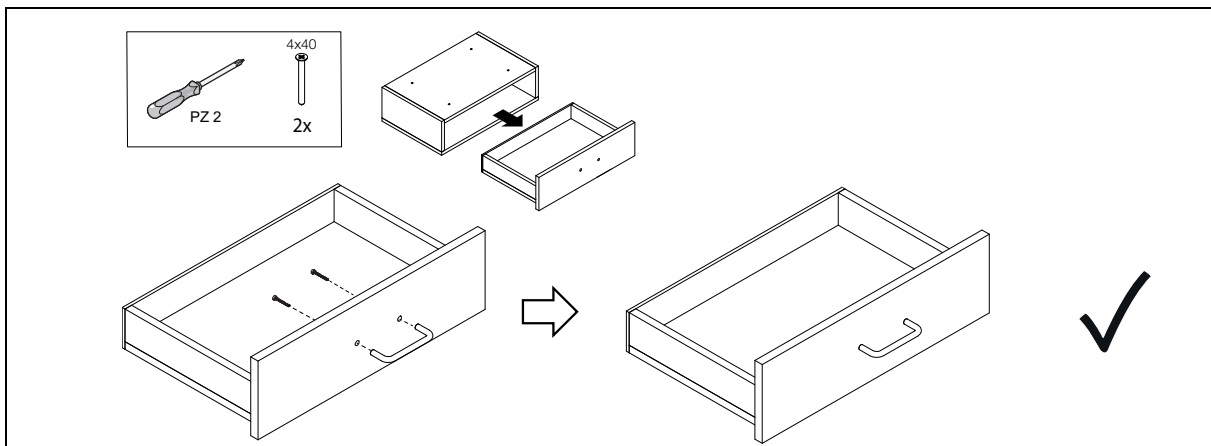
10. TIGHTEN ALL CASTER SCREWS SECURELY (AL-85721 SHOWN)



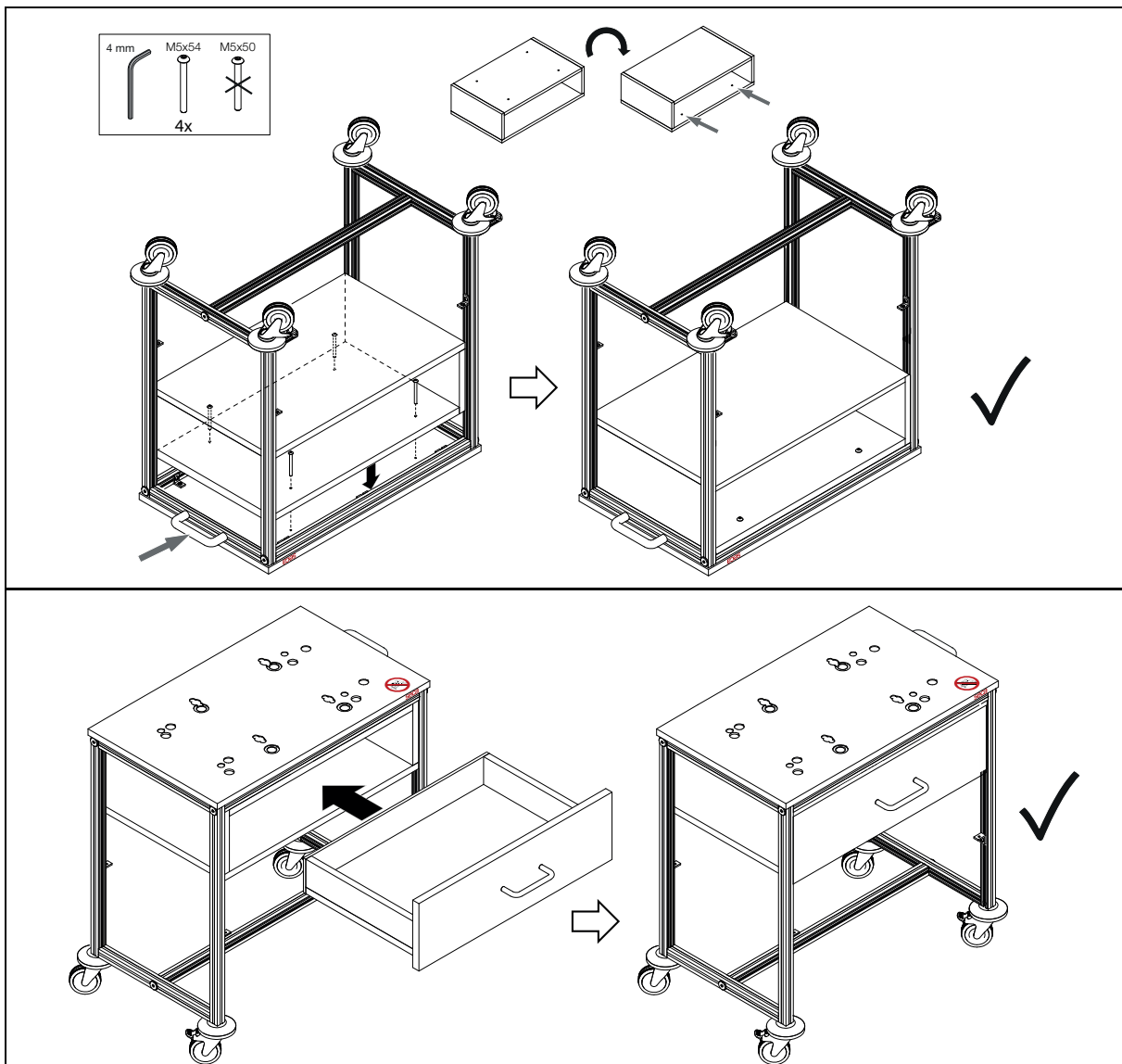
11. MOUNTING THE TOP SHELF



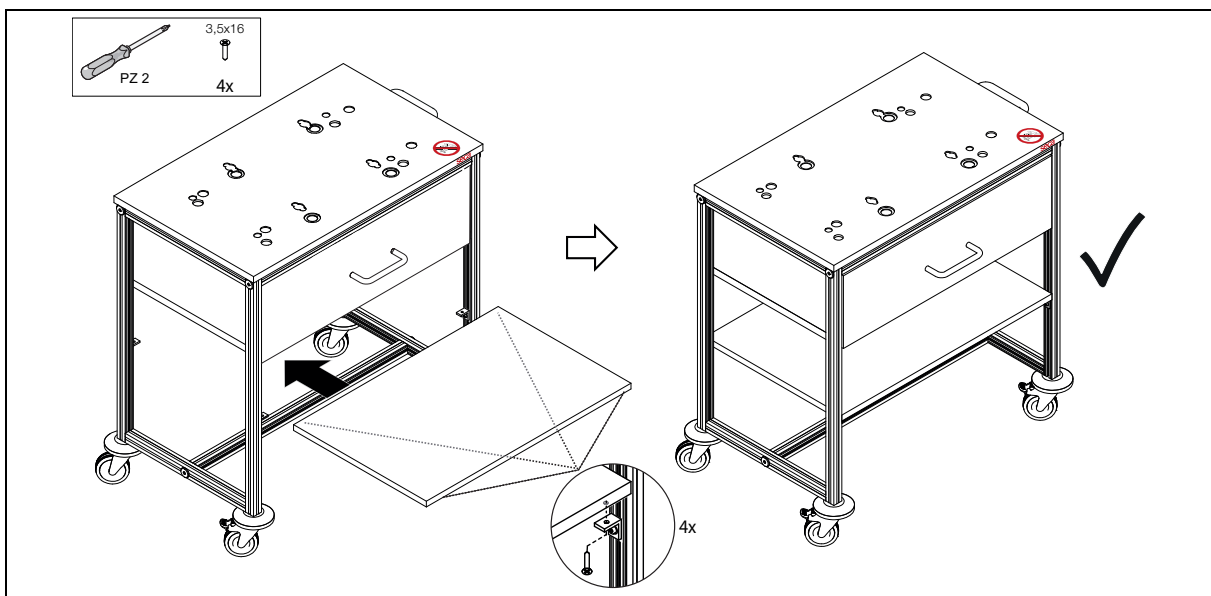
12. MOUNTING THE DRAWER HANDLE (AL-85722 ONLY)



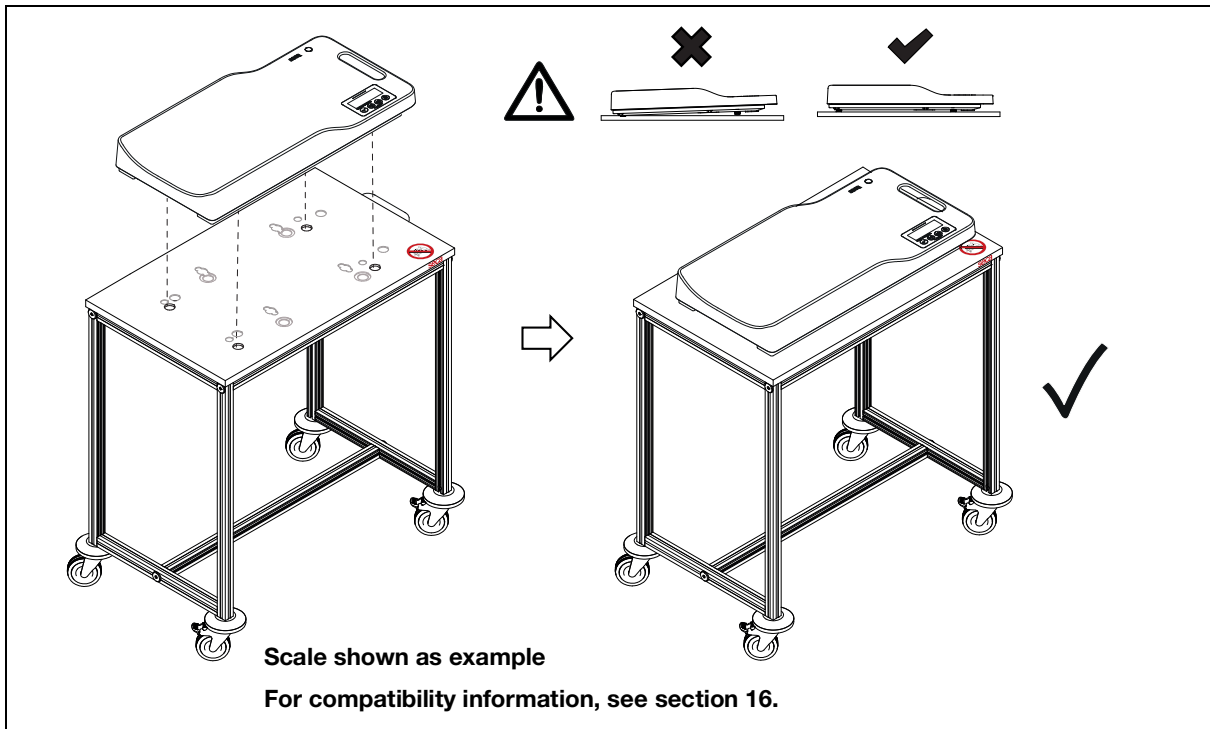
13. MOUNTING THE DRAWER (AL-85722 ONLY)



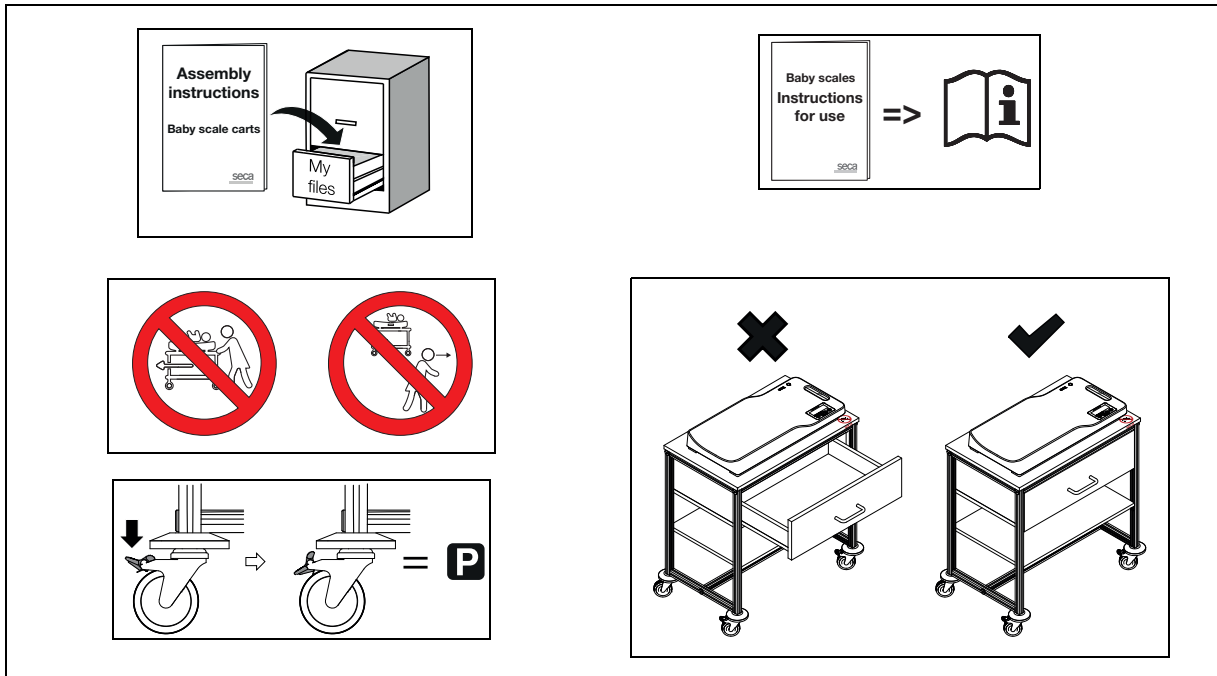
14. MOUNTING THE SHELF (AL-85722 ONLY)



15. PLACING THE SCALE (AL-85721 SHOWN)

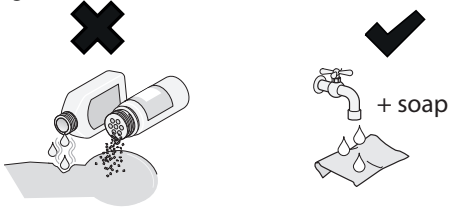


16. PRIOR TO WEIGHING



17. HYGIENIC TREATMENT

Cleaning



NOTICE:

- ▶ Do not use aggressive or abrasive cleaning agents.
- ▶ Do not use organic solvents (e.g. white spirit or petroleum spirit).

1. Moisten a soft cloth with a soap solution.
2. Wipe over all surfaces.
3. Rinse thoroughly with hot water.
4. Dry surfaces with a soft cloth.

Disinfecting



NOTICE:

- ▶ Follow the instructions on the disinfectant.
- ▶ Test disinfectant beforehand on a small, non-visible area.

1. Moisten a soft cloth with disinfectant.
2. Wipe over all surfaces.
3. Allow disinfectant to act for the time indicated in the disinfectant's instructions.
4. Rinse thoroughly with water.
5. Dry surfaces with a soft cloth.