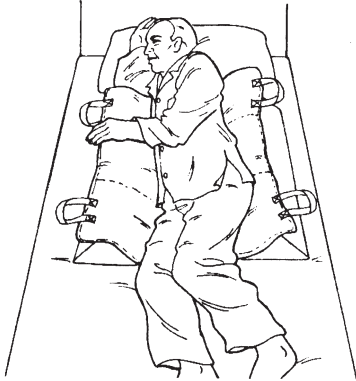


In-Bed Patient Positioning System



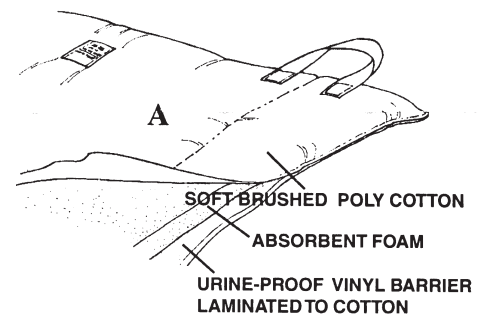
Reorder #	Description	Unit
<input type="checkbox"/> AL-85698	In-Bed Patient Positioning System w/34" Wedges	Set
<input type="checkbox"/> AL-85699-48	Replacement Positioning Pad	Each
<input type="checkbox"/> AL-85700-17	Replacement Positioning Wedge/17"	Each
<input type="checkbox"/> AL-85700-34	Replacement Positioning Wedge/34"	Each
<input type="checkbox"/> AL-85699-40	TLC Positioning Pad w/Velcro Compatible Bottom	Each

Purpose

Use the In-Bed Patient Positioning System to position the patient securely on his side. It facilitates turning and repositioning the patient while reducing caregiver exposure to back injury.

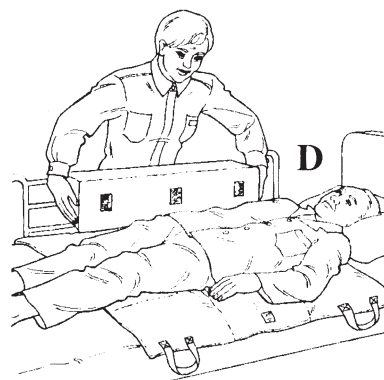
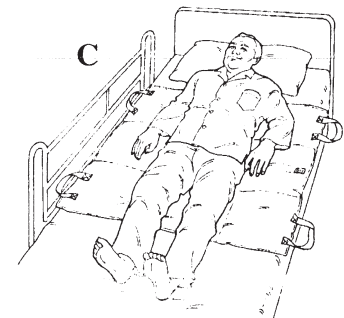
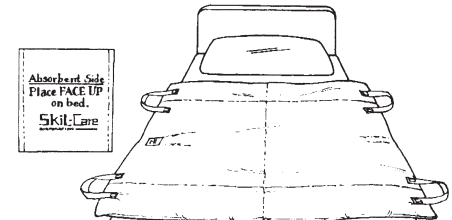
System Components

The system includes two vinyl-covered positioning wedges and a 40" x 48" bed pad. The positioning wedges have Velcro® strips that secure to the bed pad to keep the wedges in place. The three-part bed pad features a soft, brushed tricot top, a middle layer of absorbent foam, and a bottom layer of urineproof vinyl laminated to cotton, (see illustration A) making it effective for comfort, pressure relief, and incontinence protection. This system may also be used for side-positioning a patient during mat assessment.

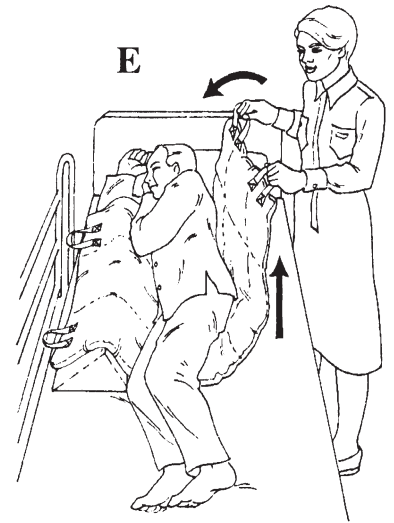


Positioning and Turning

1. Place the pad on the bed with web handles to the left and right sides. The pad should be positioned so that there is enough room for a pillow between the end of the pad and the headboard. Make certain that the label reading "Absorbent Side - Place Face Up On Bed" is facing up. (See illustration B.)
2. Position the patient on the pad so that it extends from the shoulders to the knees. **Important safety notice.** Make certain that the bed rail on the side to which the patient is being turned is in the raised position as a precaution against the resident rolling off the bed. (See illustration C.)
3. A positioning wedge is now placed on the side of the bed toward which the patient will be turned. Make certain that the Velcro® strips on the wedge are facing the patient and the notice reading "This Side Up" is at the top of the wedge. (See illustration D.)



4. Stand on the side of the bed OPPOSITE the side toward which the patient is to be turned. Grasp the handles with a two-handed overhand grip and turn the patient using a lift-and-roll motion. (See illustration E.) **IMPORTANT SAFETY NOTICE.** Back injury may result if one caregiver attempts to turn a heavy patient. Two caregivers may be required to turn such a patient. Each caregiver must have a **two-handed overhand grip** on one handle. (See illustration F.) It is the responsibility of the caregivers' supervisor to establish a policy that sets forth the conditions in which one of two caregivers will be required to turn and position patients.



5. When the patient is in the desired Position, place a wedge beneath his back. (See illustration G.) Velcro® strip face toward patient and notice reading "This Side Up" must be a top of wedge.

6. Release your grip on handles. Patient will be supported by the positioning wedge at his back. (See illustration H.)

7. To turn and reposition patient, lift pad and remove wedges (See illustration I.) and repeat steps one through six.

Cleaning

The positioning wedges may be cleaned with standard spray-type cleaner and a damp cloth or sponge. A mild disinfectant may be used. The bed pad may be laundered using standard white goods laundry procedure. Do not wash or dry at temperatures that exceed 180°F (82°C).

