

# Isolator™ USB Wall Charger Compliant with UL 60601-1

MODEL: U280-001-W2-HG

ALCO Part #: AL-85520



100V-240V  
50/60 Hz



1 USB-A Port



2.5A, 13W  
Capacity



Mounting Tab



2-Year  
Warranty

Personal USB devices and chargers are brought into your facility by staff, patients and visitors. But, did you know that powering a phone or tablet within a medical facility is not as simple as plugging in the charger that came with the device? To establish safe USB charging in a healthcare environment, here are some questions to consider:

#### **Did you know USB chargers used within the patient care vicinity must meet UL 60601-1 standards?**

Patients, their visitors and even staff may bring in unsafe USB chargers that have the potential to cause shocks or fires. These types of chargers are non-compliant with 60601-1 standards and may endanger patients and others. Only a charger fully listed to 60601-1 is safe for use in patient care vicinities.

#### **Does your facility have a USB charger policy?**

If not, one should be developed. Just like non-compliant power strips, non-compliant USB chargers can put patients and staff at risk. A robust policy defining USB charger use will establish that only UL 60601-1 compliant chargers may be used in patient care vicinities.

#### **Is all staff aware of the consequences of using non-compliant chargers?**

By allowing non-compliant chargers, a facility violates life safety codes and leaves itself open to citations and fines.

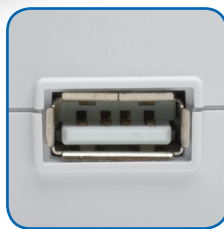
Tripp Lite's Isolator is the first USB wall charger available that helps reduce the risk of electric shock, exceeding UL 60601-1 standards. It is certified safe for use in all areas of a hospital or other medical facility, including the patient care vicinity.

#### **Key Features of the Isolator**

- Fully listed to UL 60601-1
- Maximum current leakage levels tested under normal conditions and under single-fault conditions are well below the limits specified by UL 60601-1 standards
- Provides 80 times the protection of a standard GFCI outlet, making it safe for use in wet areas
- 2.5A of power provides efficient charging
- Stops charging when the connected device reaches 100% power to protect against overheating and overcharging



Locking tab mounts to wall outlet plate (optional) for compliance and security

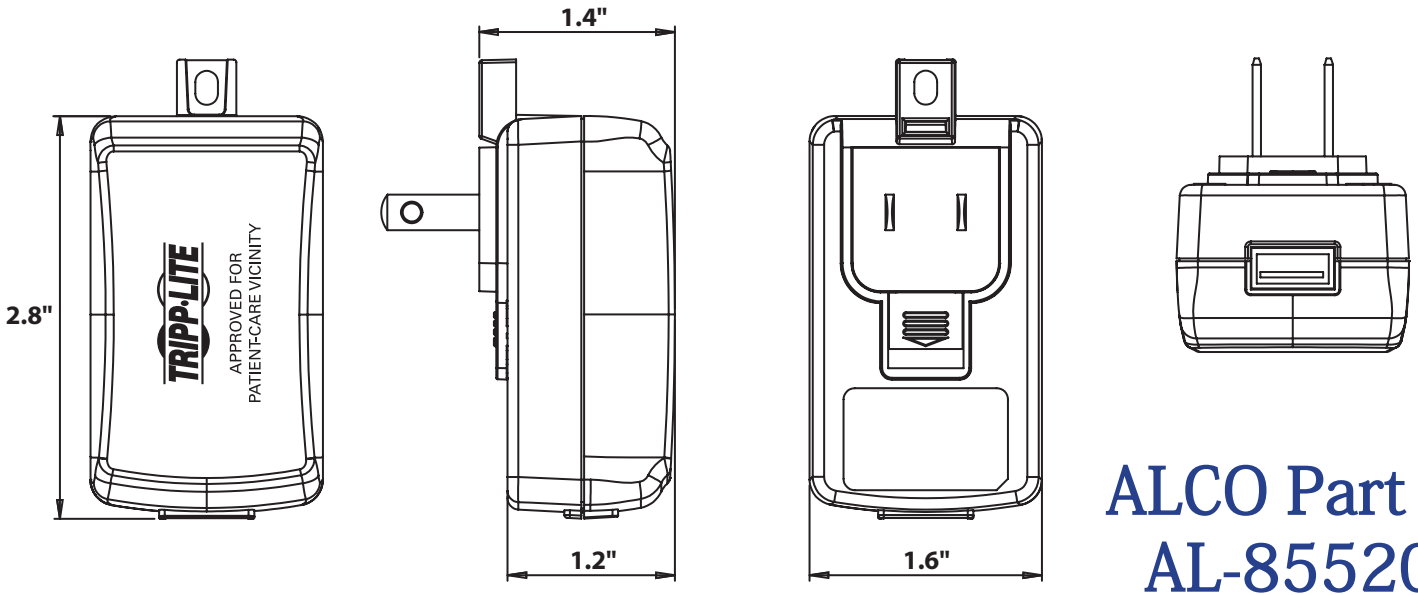


USB Type-A port provides 2.5A of charging power

**ALCO**<sup>®</sup>  
Sales & Service Co.

MEDICAL EQUIPMENT - PARTS - CASTERS - REPAIRS

Compact size is ideal for tight spaces and provides easy portability



ALCO Part #:  
AL-85520

### Specifications

Model	U280-001-W2-HG
Voltage	100V-240V
Frequency	50/60 Hz
Amps	2.5A
Watts	13W
Input	NEMA 1-15P
Port	1 USB Type-A
Unit Weight	0.15 lb.
Unit Dimensions (H x W x D)	2.8 x 1.6 x 1.4 in.
Certifications	UL 60601-1, ETL, CSA, RoHS, WEEE, 2MOPP



### Promote Compliance Throughout Your Facility

#### Medical-Grade Power Strips & Surge Protectors

- With patented antimicrobial protection



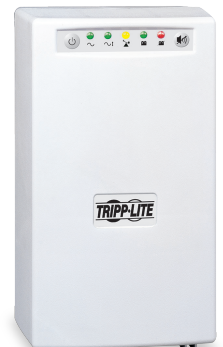
#### Medical-Grade Isolation Transformers

- Complete line isolation and noise filtering



#### Medical-Grade Line-Interactive UPS Systems

- Battery backup, surge protection and full isolation



For More Information, Contact:

**ALCO Sales & Service Co.**

800.323.4282

info@alcosales.com

[www.alcosales.com](http://www.alcosales.com)

**ALCO**  
Sales & Service Co.

MEDICAL EQUIPMENT - PARTS - CASTERS - REPAIRS