

# Antimicrobial Treated Devices

## Introducing our new antimicrobial treated switches and wallplates



These devices are made with an antimicrobial additive that helps protect them from the growth of harmful bacteria. Antimicrobial treated devices are certified by NSF International to meet sanitation requirements for use in food handling and processing environments.

### Wallplate Features

- Stainless Steel wallplate protected with antimicrobial polyurethane powder coating
- Mounting screws protected with antimicrobial polyurethane powder coating
- Available in single- or double-gang configurations
- Powder coating resists fingerprints and has been tested to ISO 7784.2 for durability

### Switch Features

- 20A, 120/277V AC
- Single pole and three-way functionalities
- Toggle material embedded with silver ion antimicrobial additive



\*Switch and wallplate sold separately

### Common Applications

- Healthcare Facilities
- Educational Institutions
- Hospitality Facilities
- Commercial Kitchens
- Nurseries
- Bathrooms

### Ordering Information

Toggle Switches		
Description	Cat. No.	Color
Single Pole	AL-84911WH	White
	AL-84911VY	Ivory
	AL-84911R*	Red
	AL-84911GY*	Grey
3-Way	AL-85912WH	White
	AL-85912VY	Ivory
	AL-85912R*	Red
	AL-85912GY*	Grey



Wallplates		
Description	Cat. No.	Color
1-Gang Toggle	AL-84909-01	Clear (Stainless Steel)
2-Gang Toggle	AL-84909-02	Clear (Stainless Steel)
1-Gang EMERGENCY Toggle	AL-84910*	Clear (Stainless Steel)

\* New additions.

**Custom Engraving Available - Call!**

Antimicrobial Treated Devices from ALCO are manufactured by incorporating silver ions (Ag+) as the antimicrobial agent in the product material. This material has been tested to show a consistent [3 log (>99.9%)] microbial reduction rate against a broad range of bacteria pursuant to the JIS Z 2801:2000 test protocol.

## Specifications

### Toggle Switches

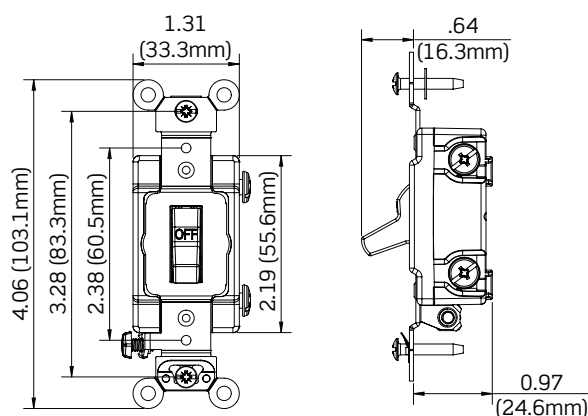
Catalog Number	Single Pole (AL-84911) & 3-Way Toggle (AL-85912)
<b>Electrical Specifications</b>	
Amperage	20A
Voltage	120/277V AC
Dielectric Voltage	Withstands 1500V for 1 minute
Overload UL 20	100 cycles of OL at 4.8 times rated current
Temperature Rise	Maximum 30° C rise
Endurance	50,000 cycles minimum
AC Horsepower Ratings	1 HP @ 120V, 2 HP @ 240V, 16A Max.
<b>Environmental Specifications</b>	
Flammability	UL 94 HB Flammability Rating
Operating Temperature	-40°C to 65°C
Storage Temperature	-40°C to 65°C
<b>Material Specifications</b>	
Base	Thermoplastic
Cover	Thermoplastic
Strap	.050" Thick Galvanized Steel
Toggle	Antimicrobial Urea
Contacts	Silver Alloy
Terminal Screws	Brass 8-32
Grounding Screw	Galvanized Steel 8-32
Ground Clip	Brass
<b>Mechanical Specifications</b>	
Terminal Accom.	#14-#10 AWG back wired; #14-#12 AWG side wired
Terminal Screw Torque Range	12-14 inch pounds
Terminal ID	Brass-Hot, Black-Hot, White-Neutral, Green-Gnd
Product ID	Ratings are permanently marked on device
<b>Standards &amp; Certifications</b>	
NEMA	WD-1, WD-6
NSF	169 - Special Purpose Food Equipment and Devices
UL Fed Spec WS896	File # E7458
UL Standard	UL 20
CSA C22.2 No 111	File # 152105
NOM	NOM-ANCE
JIS Z 2801:2000	Test for Antimicrobial Activity and Efficacy
ISO 22196	Measurement of Antibacterial Activity on Plastics and Other Non-Porous Surfaces
<b>Warranty</b>	

## Wallplates

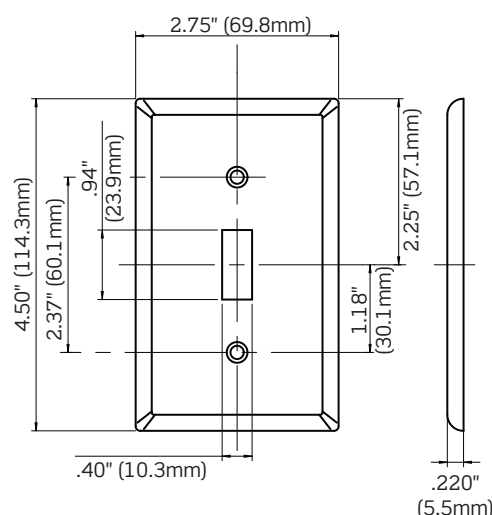
Catalog Number	1-Gang Toggle (84001) & 2-Gang Toggle (84009)
<b>Material Specifications</b>	
Material	Stainless Steel coated with Antimicrobial Polyurethane Powder Coating
<b>Standards &amp; Certifications</b>	
UL Standard	UL 514D
NSF	169 - Special Purpose Food Equipment and Devices
CSA	CSA C22.2 No. 42.1-13
JIS Z 2801:2000	Test for Antimicrobial Activity and Efficacy
ISO 22196	Measurement of Antibacterial Activity on Plastics and Other Non-Porous Surfaces
<b>Warranty</b>	
Product Warranty	10-Year Limited

## Dimensions

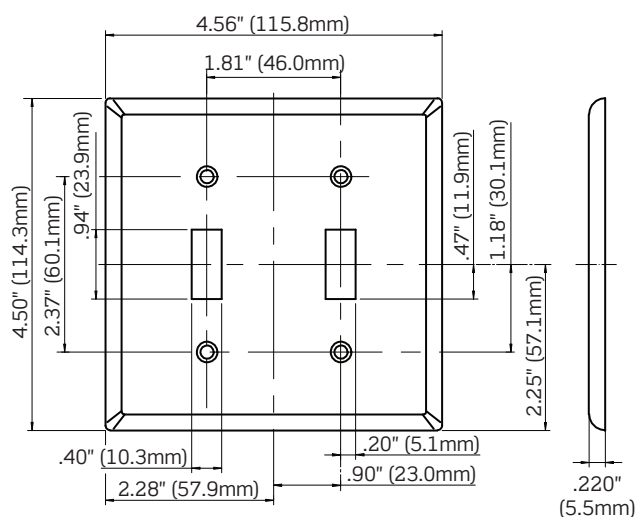
Front & Side View, Single Pole & 3-Way Toggles



Front & Side View, 1-Gang Wallplates



Front & Side View, 2-Gang Wallplates



Visit our Website at:

[www.alcosales.com](http://www.alcosales.com)

email: [info@alcosales.com](mailto:info@alcosales.com)

Q-911A

062215

**ALCO Sales & Service Co.**

6851 High Grove Blvd., Burr Ridge, IL 60527

Telephone: 1-800-323-4282 • FAX: 1-800-950-1167

Hours (8:00AM-4:30PM C.S.T. Monday-Friday)

