

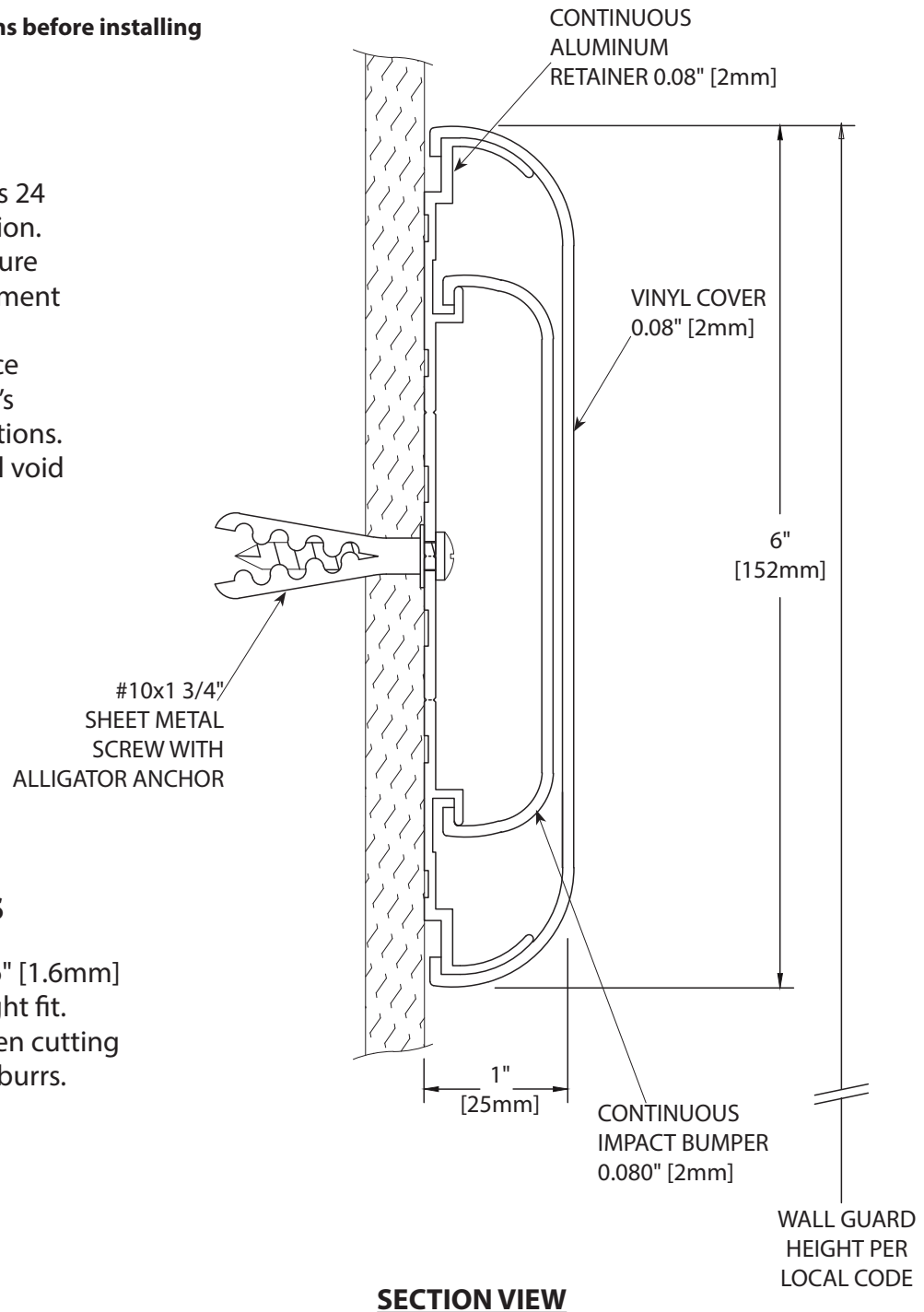
# Installation Instructions

AL-84906 Wall Guard

Please read all instructions before installing Wall Guard.

## Important

1. Acclimate materials 24 hrs before installation. Maintain temperature controlled environment after installation.
2. Install in accordance with manufacturer's installation instructions. Failure to do so will void the warranty.



## Installation tips

1. Cut covers up to 1/16" [1.6mm] longer to ensure a tight fit.
2. Lubricate blades when cutting aluminum to reduce burrs.

### RECOMMENDED TOOLS

Safety Glasses, Tape Measure, Power Drill, Drill Bits - 1/4" masonry (concrete/concrete block), Power Miter Saw, 10" Blade with 60-80 Carbide Tipped Teeth

# Installation Instructions

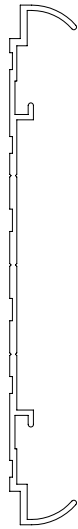
## AL-84906 Wall Guard

### Components and Fasteners

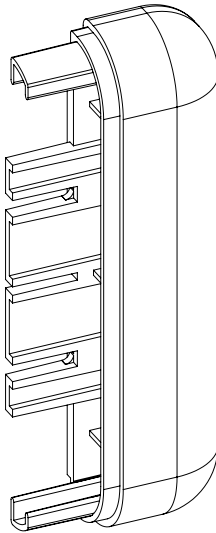
Please read all instructions before installing Wall Guard.



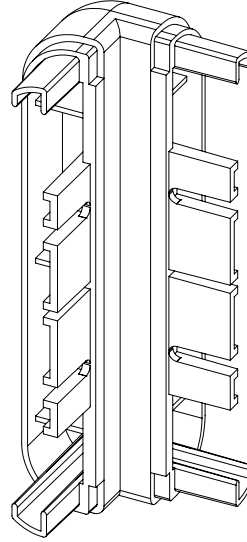
VINYL COVER



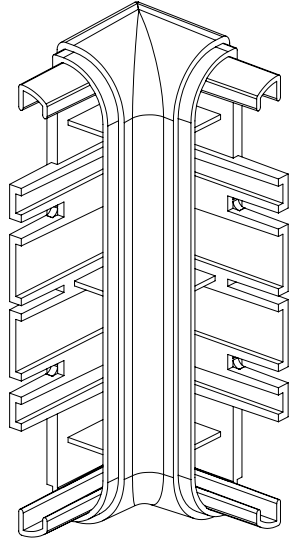
CONTINUOUS ALUMINUM RETAINER



AL-84907 END CAP



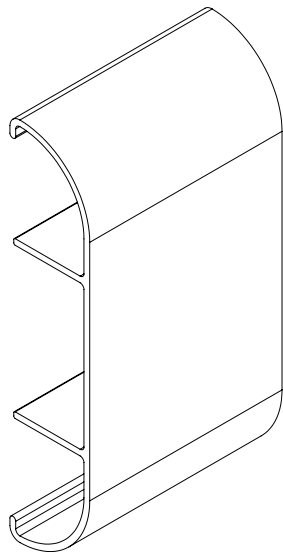
AL-84908A OUTSIDE CORNER



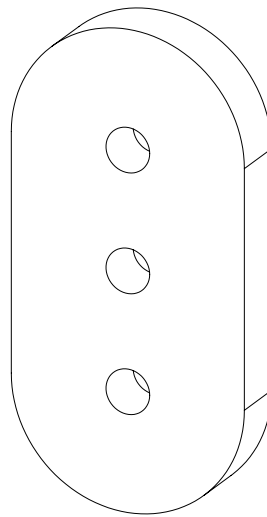
AL-84908C INSIDE CORNER



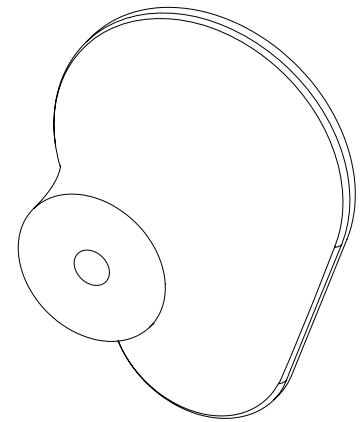
VINYL IMPACT BUMPER



AL-84898 ALUMINUM SPLICE



AL-84899 RUBBER SPACER 1/2" THICK (OPTIONAL)



AL-84794 INJECTION MOLDED BRACKET (OPTIONAL)

### Fasteners

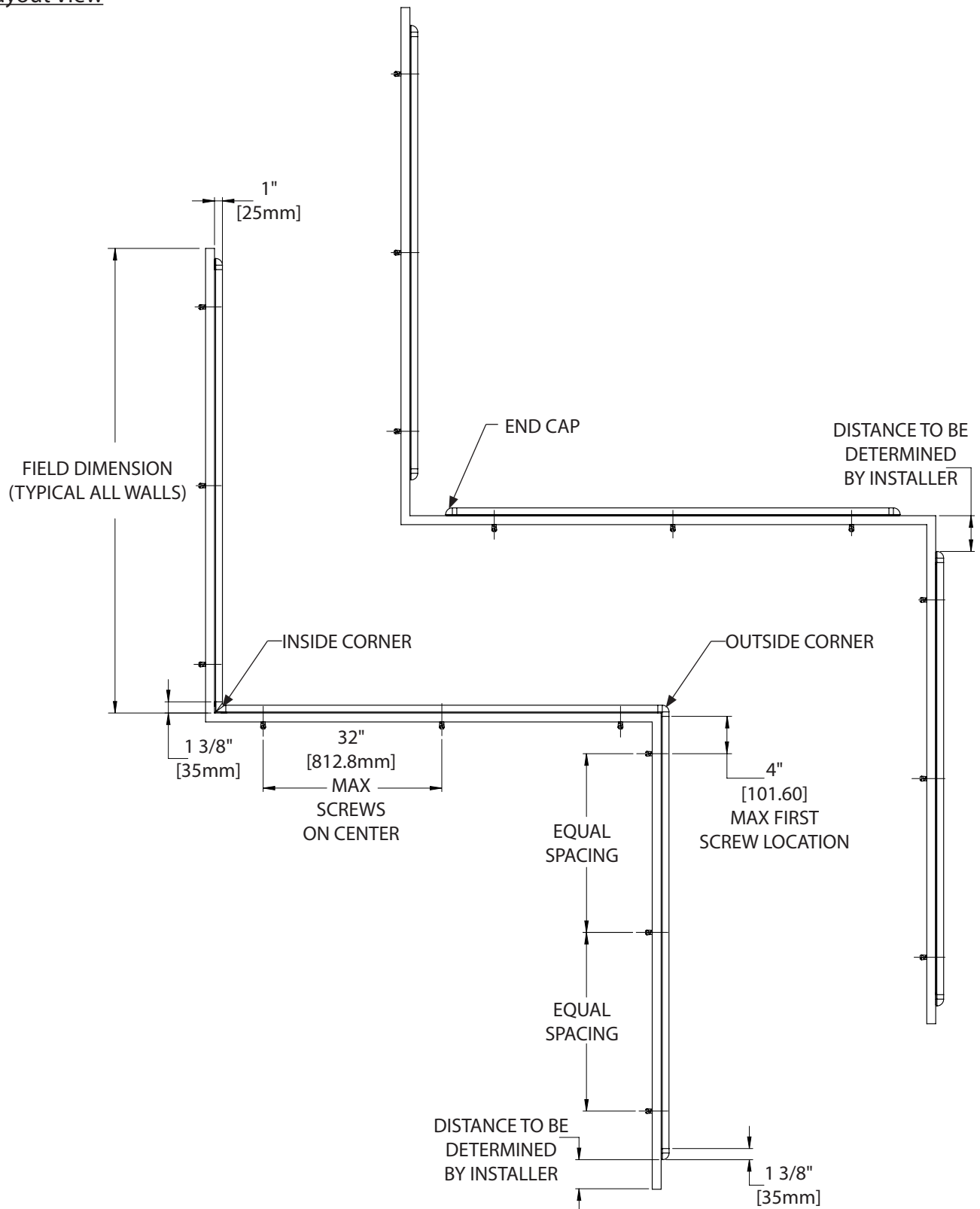
Wall Condition	Specified Fasteners
Wall Guard Profile Hardware	#10 1 3/4" Phillips pan head sheet metal screw with alligator anchor
Concrete Hardware for Corners	#10 1 3/4" Phillips pan head sheet metal screw with alligator anchor
Drywall Hardware for Corners	#8 x 1 1/2" Phillips Indented Hex Washer Self-Drilling Screw #2PT ZP

# Installation Instructions

AL-84906 Wall Guard

Please read all instructions before installing Wall Guard.

## Layout View

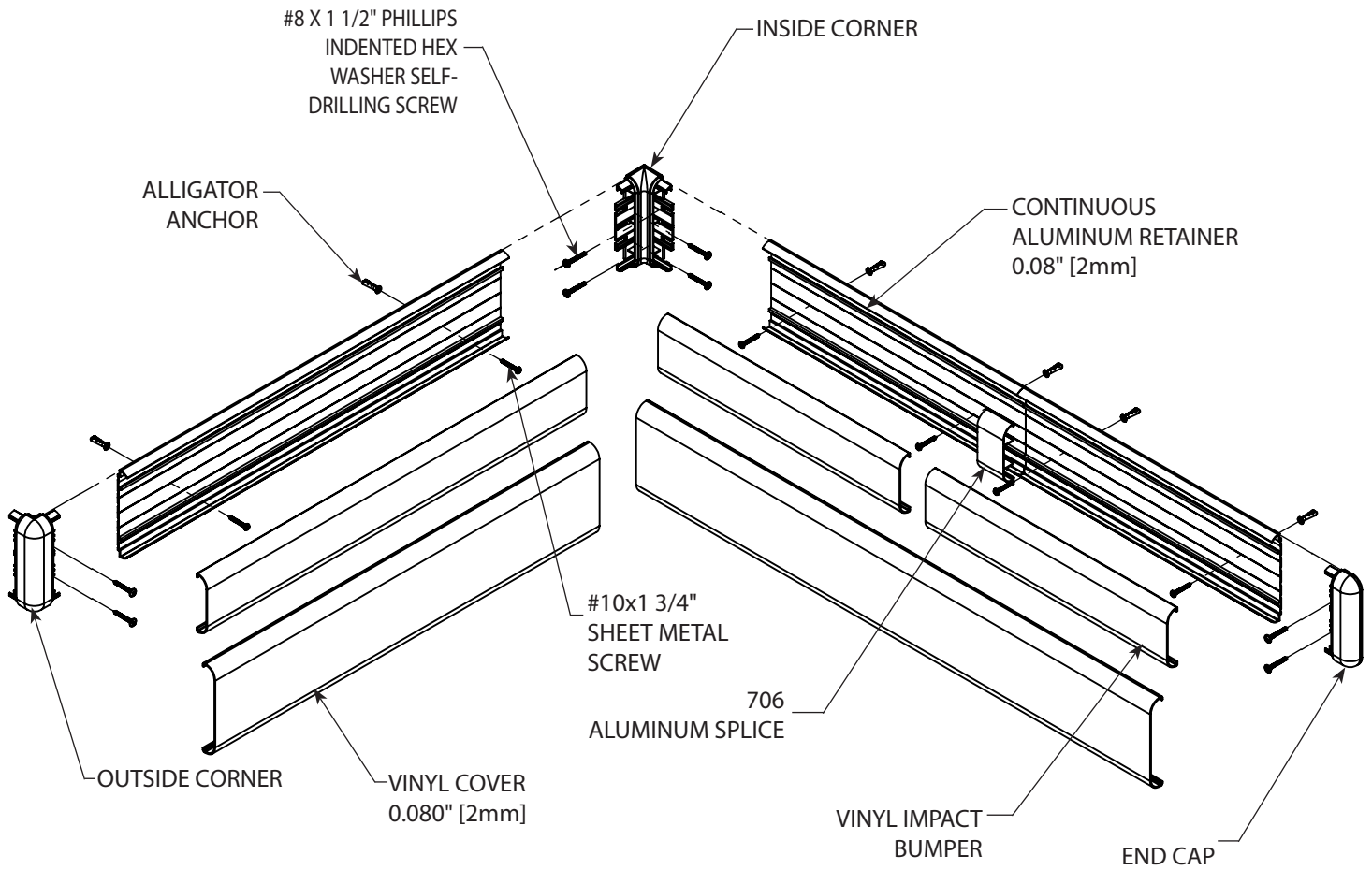


# Installation Instructions

AL-84906 Wall Guard

Please read all instructions before installing  
Wall Guard.

Exploded Assembly View

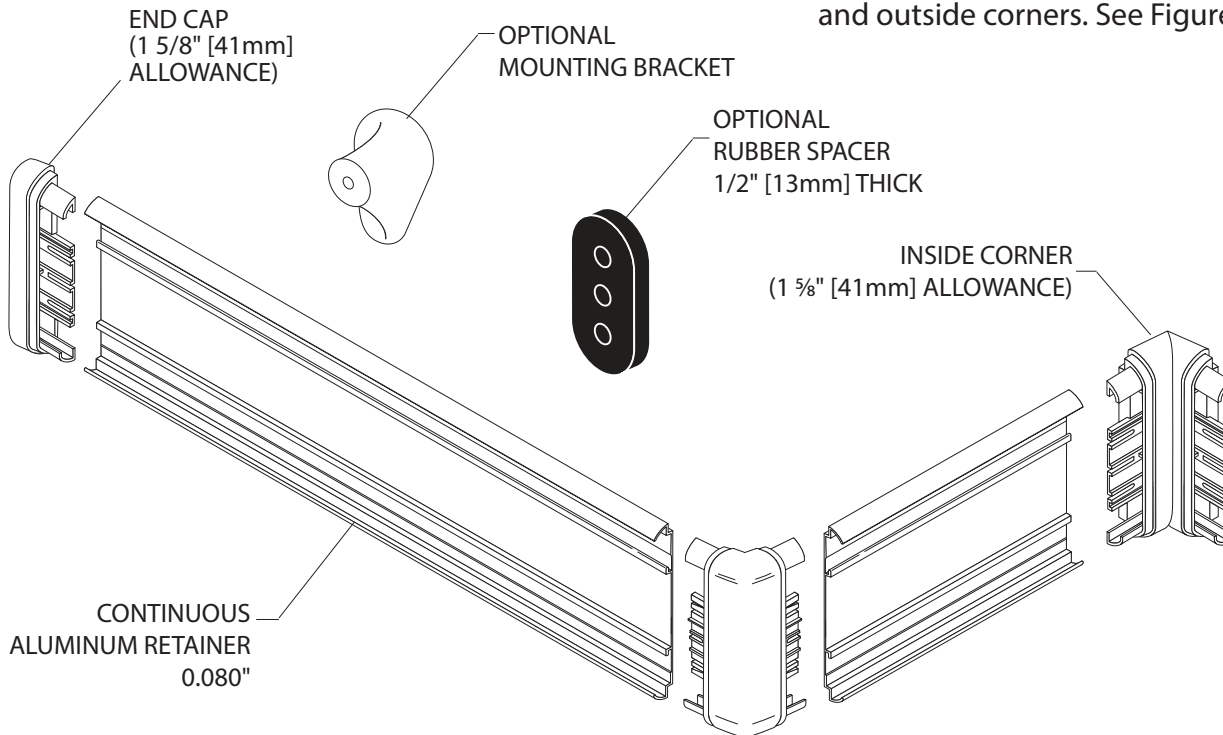


# Installation Instructions

## AL-84906 Wall Guard

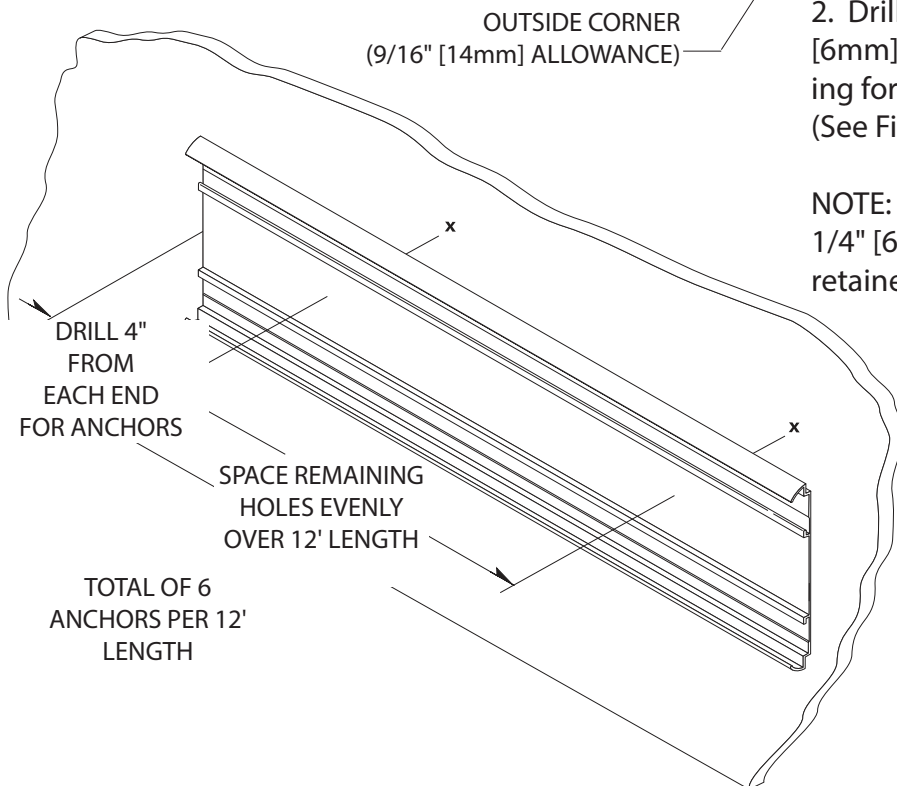
Please read all instructions before installing Wall Guard.

**FIG. 1**



1. Cut aluminum retainer to desired length, leaving allowance for end caps, inside corner and outside corners. See Figure 1.

**FIG. 2**



2. Drill holes in centerline of retainer using 1/4" [6mm] drill bit. Position retainer on wall allowing for end caps/corners. Level and mark holes. (See Figure 2.)

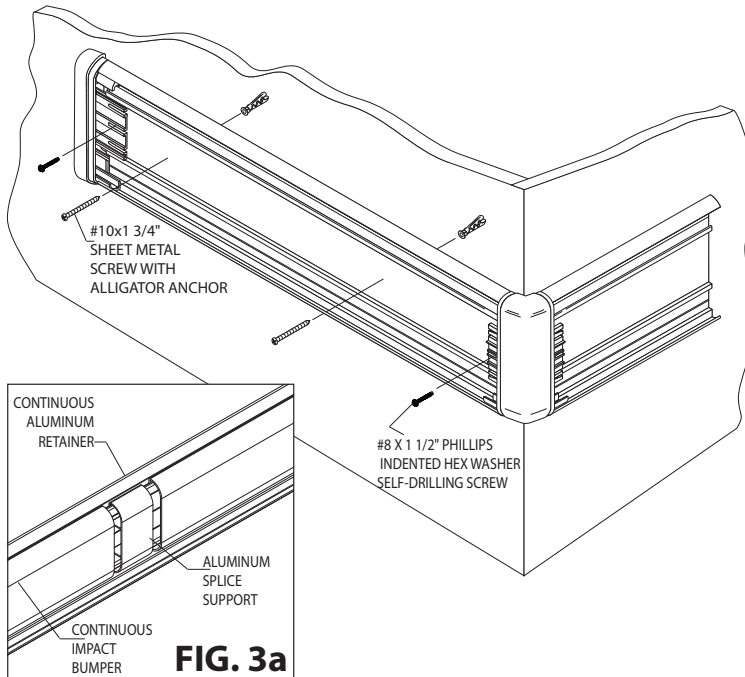
NOTE: For concrete or brick wall installation, drill 1/4" [6mm] holes, 3/8" [10mm] from each end of retainer for end caps/corners.

# Installation Instructions

## AL-84906 Wall Guard

Please read all instructions before installing Wall Guard.

FIG. 3



3. Drill marked holes on wall using a 1/4" [6mm] drill bit and position Alligator anchors into holes. Mount retainer on wall and tighten screws to secure. Slide end caps and corners onto the retainer and secure, leaving a 1/16" [1.5mm] gap between returns/corners and retainer to allow for adjustment. (See Figure 3.)

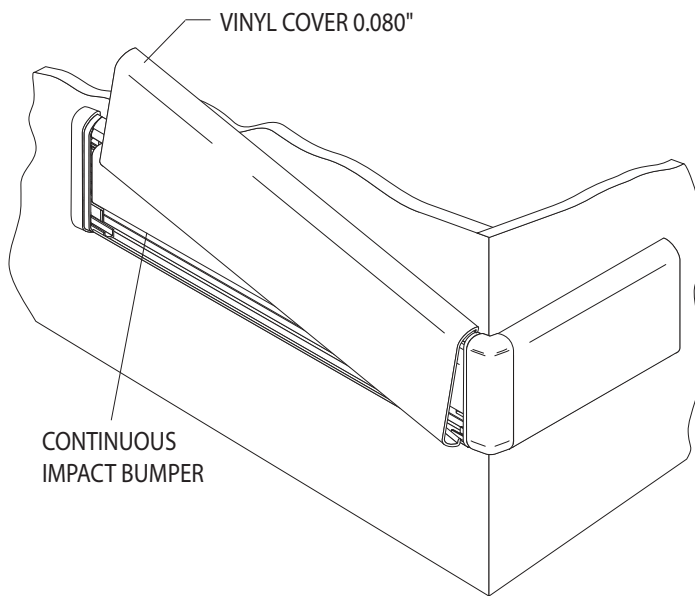
With lengths over 12' [3658mm], an aluminum splice support is recommended behind vinyl butt joints for added support. Snap aluminum support on the aluminum retainer behind the vinyl cover butt joint. (See Figure 3a.)

NOTE: For concrete or brick wall installation, use #10 x 13/4" [5 x 44mm] Phillips pan head screws to secure end caps and corners.

NOTE: If rubber spacers are used, attach them behind the retainer at all mounting hole locations, including those for end caps and corners.

NOTE: If brackets are used, use a 3/4" [19mm] drill bit for toggle wings or a 1/2" [13mm] drill bit for lead anchors to drill the marked holes on the wall. Attach end caps and corners with 5/8" [16] hex bolt assembly.

FIG. 4



4. Cut the impact bumper to the length between the inside edge of the end caps/corners. Position and snap bumper in place. Cut the cover to length between end caps and/or corners. (Note: Trim factory edges square before installation). Position cover on retainer and adjust returns and/or corners for a tight fit. Push cover over the retainer until it snaps into place. (See Figure 4.)

[info@alcosales.com](mailto:info@alcosales.com)

800.323.4282

[www.alcosales.com](http://www.alcosales.com)

