

# AL-84903

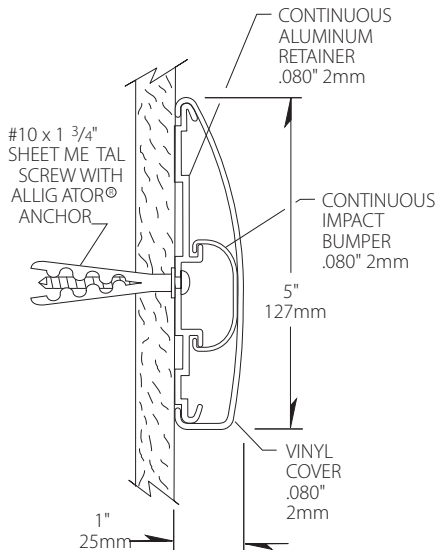
## Wall Guard



AL-84903



Please Call 800-323-4282



- 5" (127mm) of wall protection, extends 1" (25mm) from wall
- Mounted on a sturdy .080" (2mm) thick, continuous aluminum retainer
- .080" (2mm) thick, scratch and stain resistant rigid vinyl cover
- Manufactured in 12' standard lengths
- All mounting fasteners are included with each order
- Meets the most rigorous standards and criteria of chemical emissions as prescribed by the GREENGUARD Environmental Institute
- Has been tested and meets GREENGUARD Environmental Institute's and the state of California's requirements for low emitting products as tested by Air Quality Sciences
- Has been tested and meets the GREENGUARD Children & School chemical emissions levels



[info@alcosales.com](mailto:info@alcosales.com)

800.323.4282

[www.alcosales.com](http://www.alcosales.com)

