

Installation Instructions

AL-84903 Wall Guard

Important

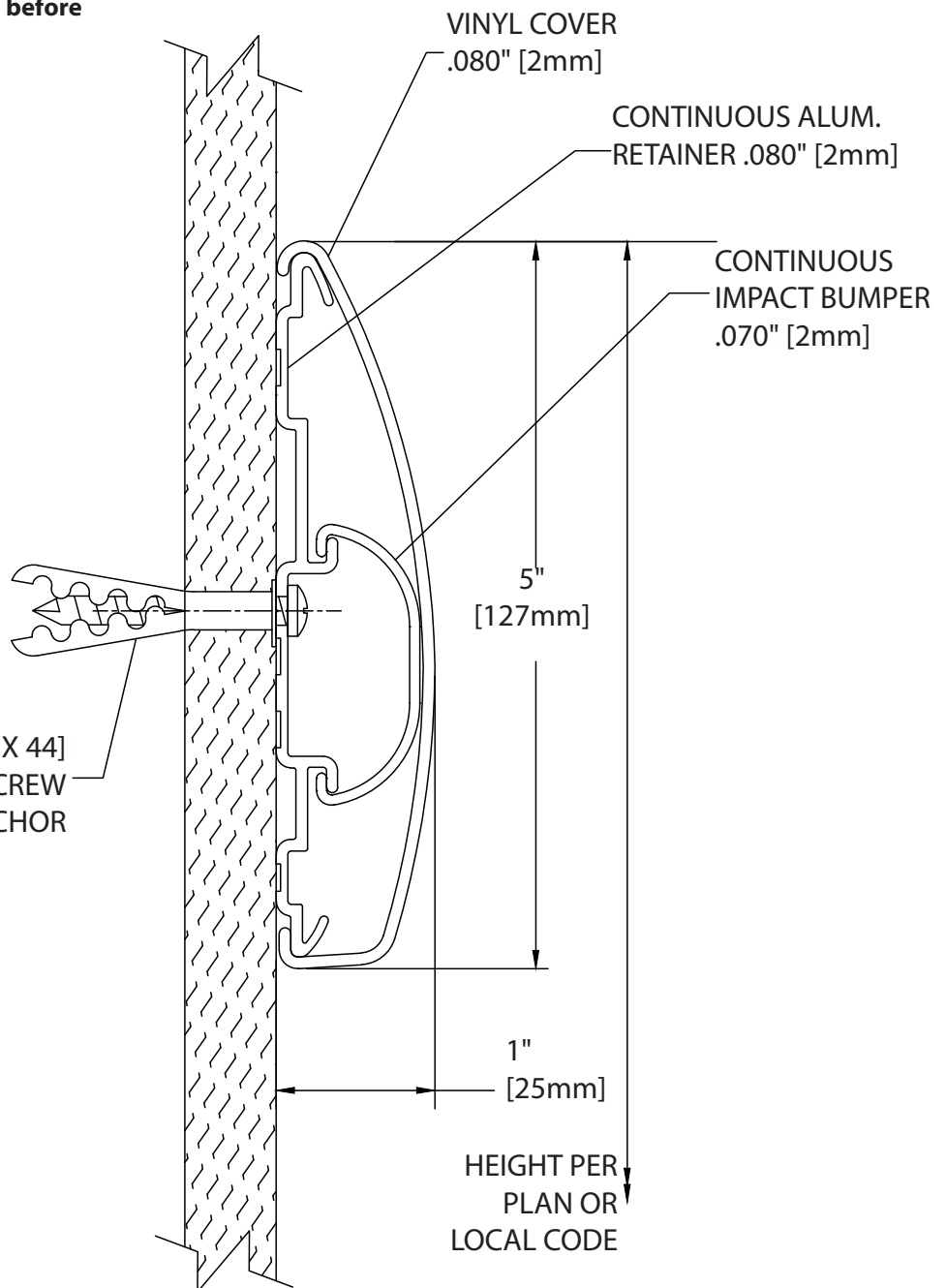
Please read all instructions before installing wallguard.

1. Acclimate materials 24 hrs before installation. Maintain temperature controlled environment after installation.
2. Install in accordance with manufacturer's installation instructions. Failure to do so will void the warranty.

Installation tips

1. Cut covers up to 1/16" (1.6mm) longer to ensure a tight fit.
2. Lubricate blades when cutting aluminum to reduce burrs.

#10 X 1 3/4" [5 X 44]
SHEET METAL SCREW
W/ ALLIGATOR® ANCHOR



Recommended tools

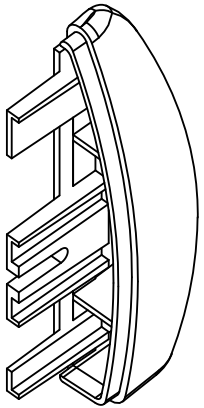
Safety Glasses, Tape Measure, Level, Phillips and Flat head Screwdrivers, Power Drill, Drill Bits - 1/4" masonry (concrete/concrete block), Power Miter Saw, 10" Blade with 60-80 Carbide Tipped Teeth.

Installation Instructions

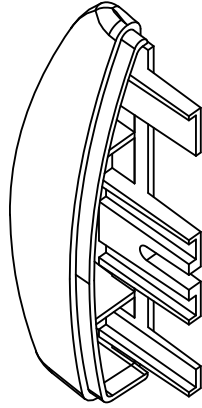
AL-84903 Wall Guard

Please read all instructions before installing wallguard.

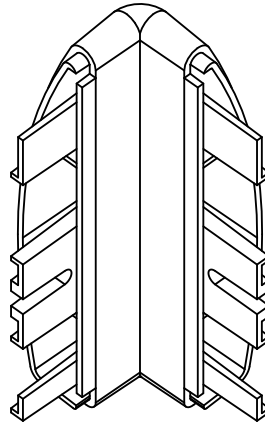
PARTS



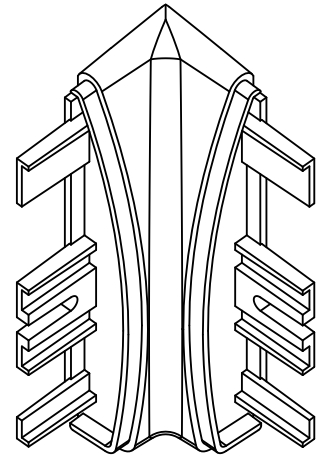
AL-84905R
RIGHT END CAP



AL-84905L
RIGHT END CAP



AL-84904A
OUTSIDE CORNER



AL-84904C
INSIDE CORNER



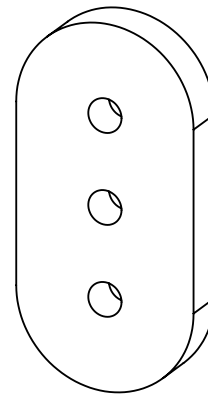
COVER



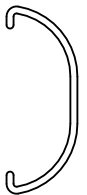
ALUMINUM
RETAINER



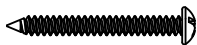
REVEAL



AL-84899
(OPTIONAL)
RUBBER
SPACER



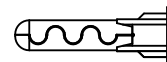
IMPACT BUMPER



#10 X 1 3/4" [5 X 44]
SHEET METAL SCREW



#8 X 1 1/2" [4 X 38]
PHILLIPS INDENTED
HEX WASHER SELF-
DRILLING SCREW



ALLIGATOR
ANCHOR

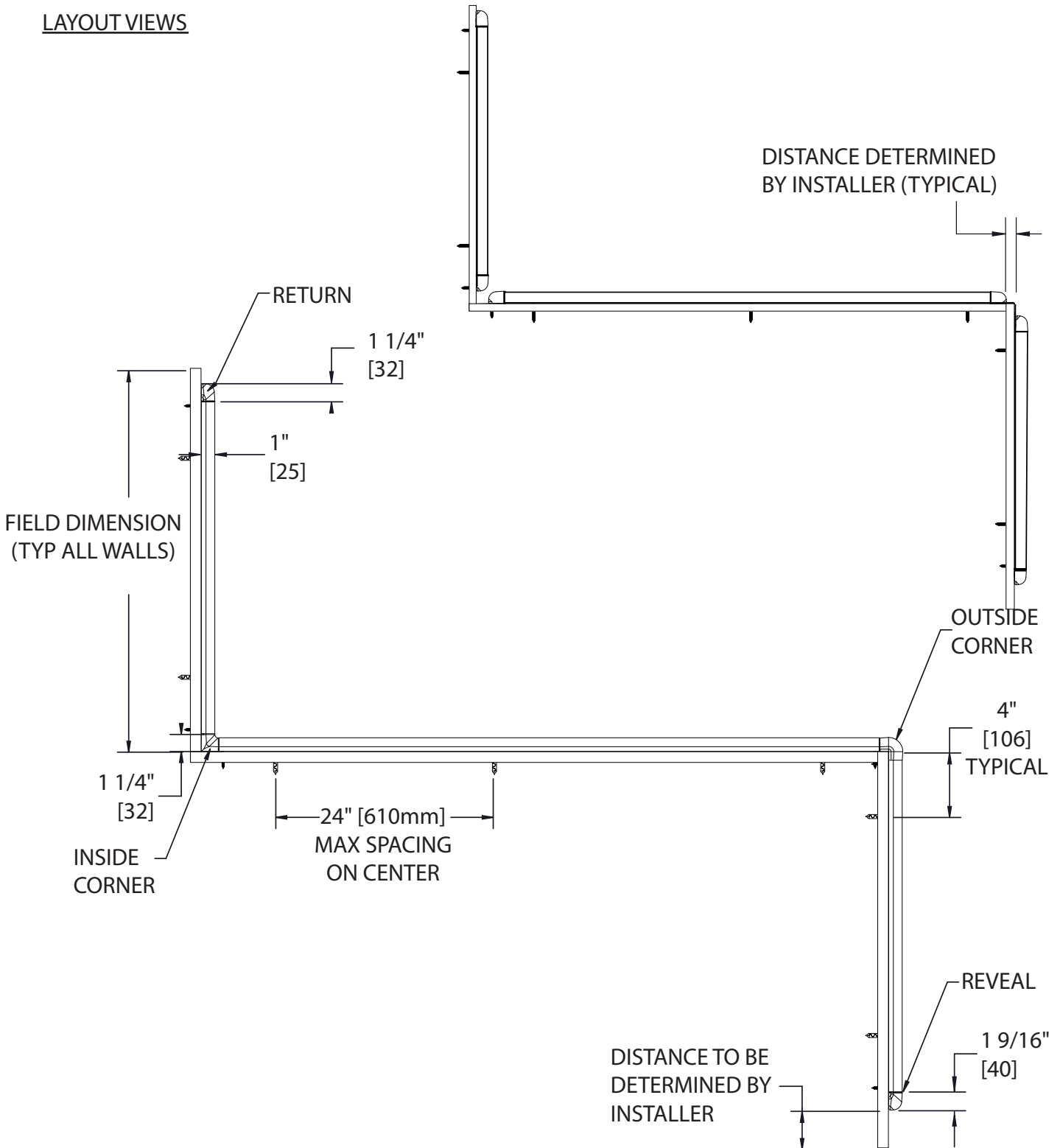
Wall Condition	Specified Fasteners
Profile Hardware Kit	#10 x 1 3/4" PHILLIPS PAN SHEET METAL SCREW W/ ALLIGATOR ANCHOR

Installation Instructions

AL-84903 Wall Guard

Please read all instructions before installing wallguard.

LAYOUT VIEWS

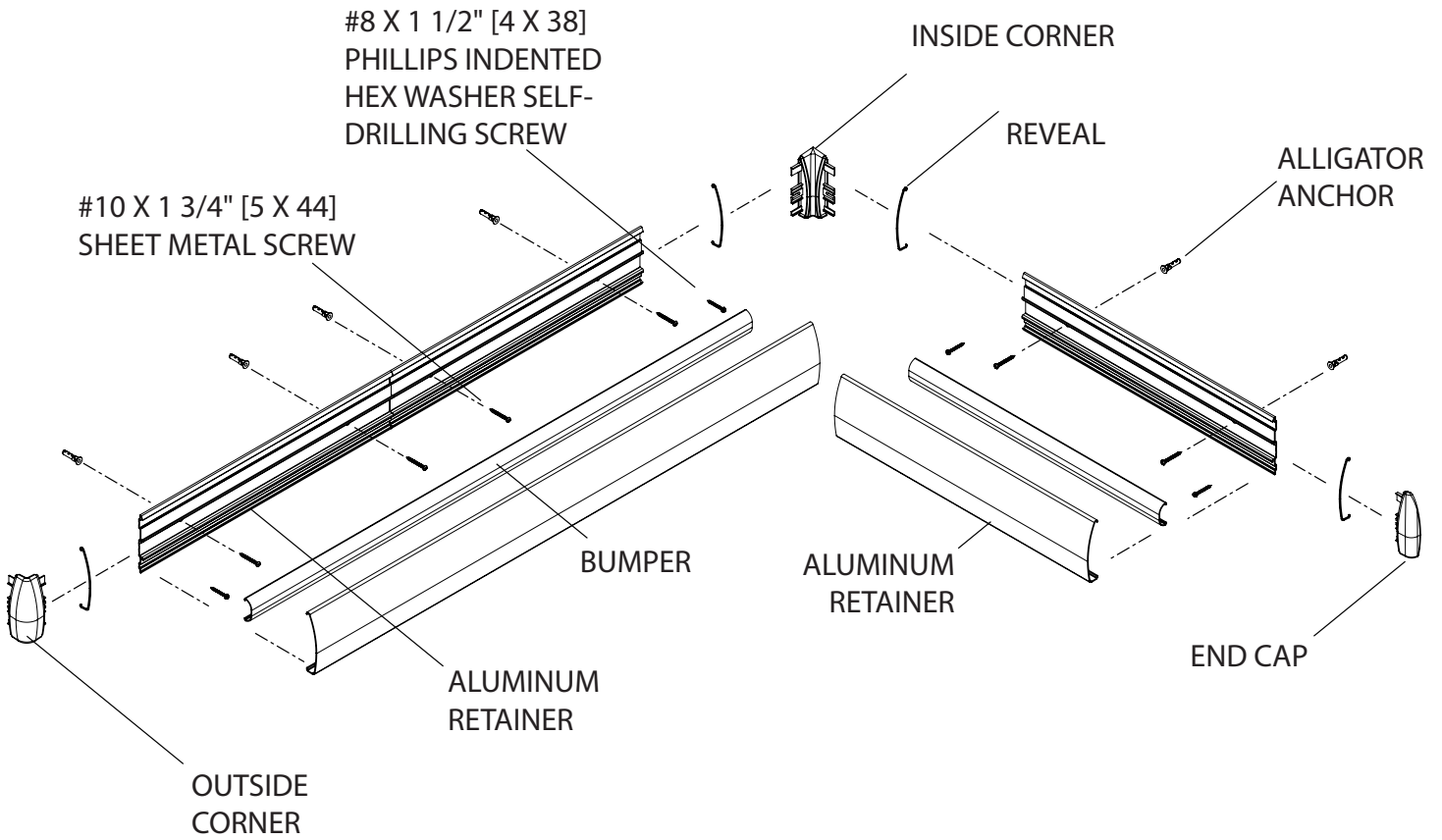


Installation Instructions

AL-84903 Wall Guard

Please read all instructions before installing wallguard.

EXPLODED VIEW

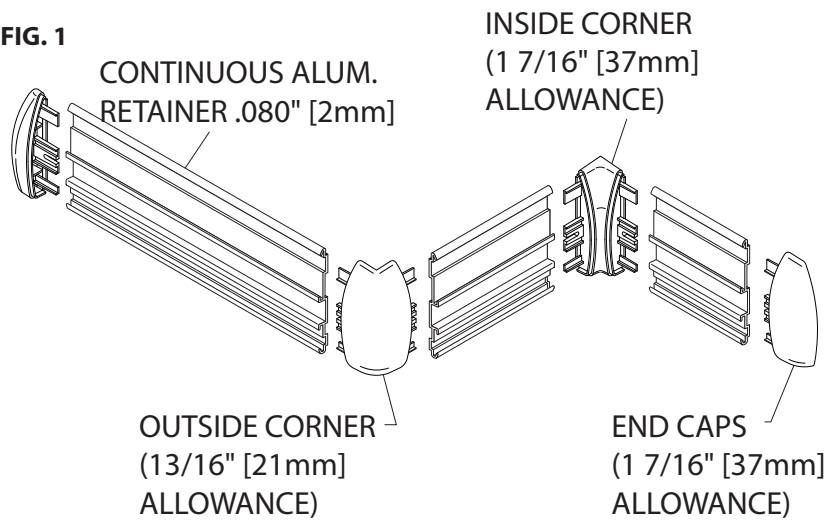


Installation Instructions

AL-84903 Wall Guard

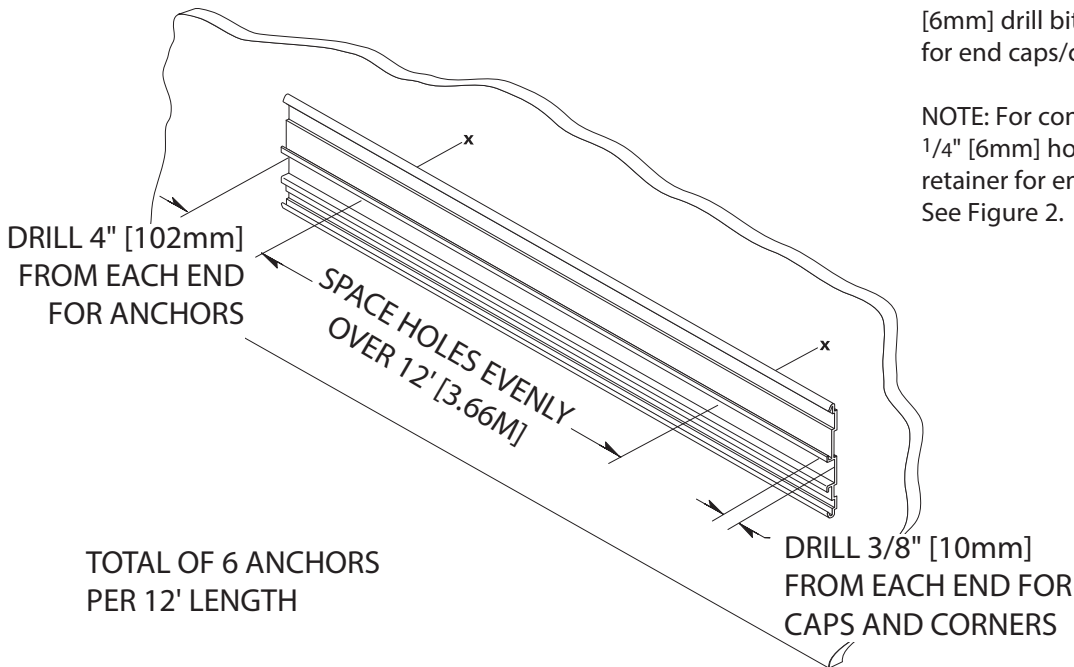
Please read all instructions before installing wallguard.

FIG. 1



1. Cut aluminum retainer to desired length, leaving allowance for end caps, inside corners and outside corners. See Figure 1.

FIG. 2



2. Drill holes in centerline of retainer using 1/4" [6mm] drill bit. Position retainer on wall allowing for end caps/corners. Level and mark holes.

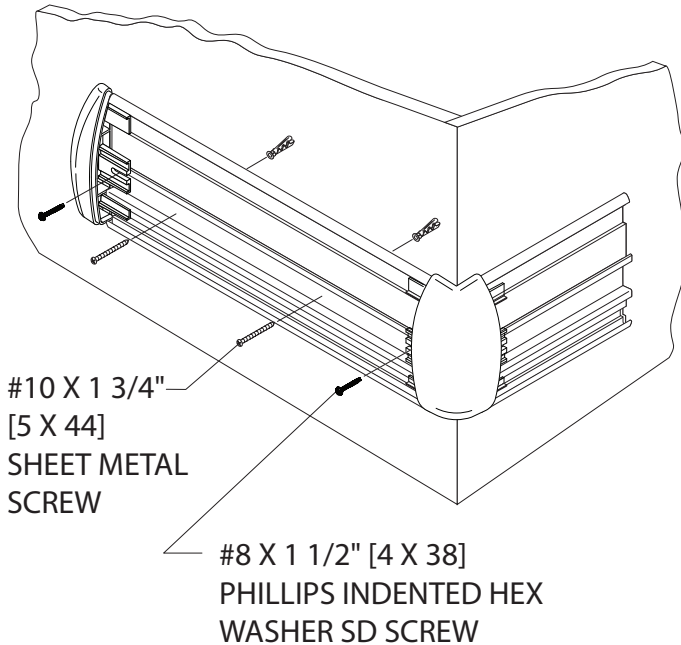
NOTE: For concrete or brick wall installation, drill 1/4" [6mm] holes, 3/8" [10mm] from each end of retainer for end caps/corners. See Figure 2.

Installation Instructions

AL-84903 Wall Guard

Please read all instructions before installing wallguard.

FIG. 3

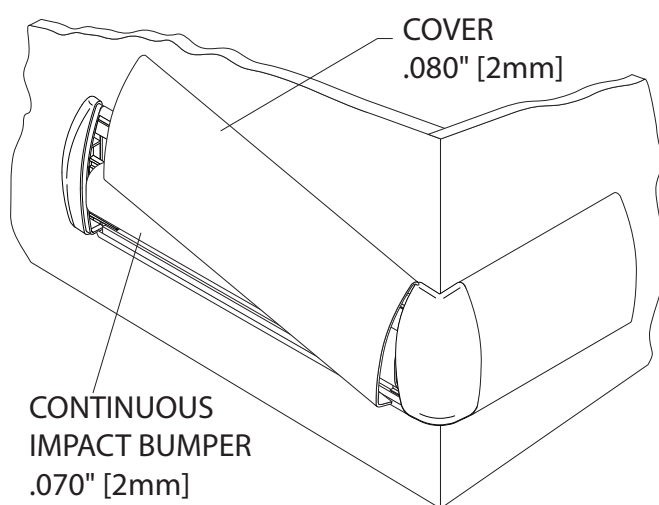


3. Drill marked holes on wall using a 1/4" [6mm] drill bit and position Alligator anchors into holes. Mount retainer on wall and tighten screws to secure. Slide end caps and corners onto the retainer and secure, leaving a 1/16" [1.5mm] gap between returns/corners and retainer to allow for adjustment. See Figure 3.

NOTE: For concrete or brick wall installation, use #10 x 1 3/4" [5 x 19] Phillips pan head screws to secure end caps and corners.

NOTE: If rubber spacers are used, attach them behind the retainer at all mounting hole locations, including those for end caps and corners.

FIG. 4



4. Cut the impact bumper to the length between the inside edge of the end caps/corners. Position and snap bumper in place. Cut the cover to length between end caps and/or corners. (Note: Trim factory edges square before installation). Position cover on retainer and adjust returns and/or corners for a tight fit. Starting at one end, push cover over the retainer until it snaps into place. See Figure 4.

info@alcosales.com

800.323.4282

www.alcosales.com

