

Installation Instructions

AL-84900 Wall Guards

ALCO
Sales & Service Co.

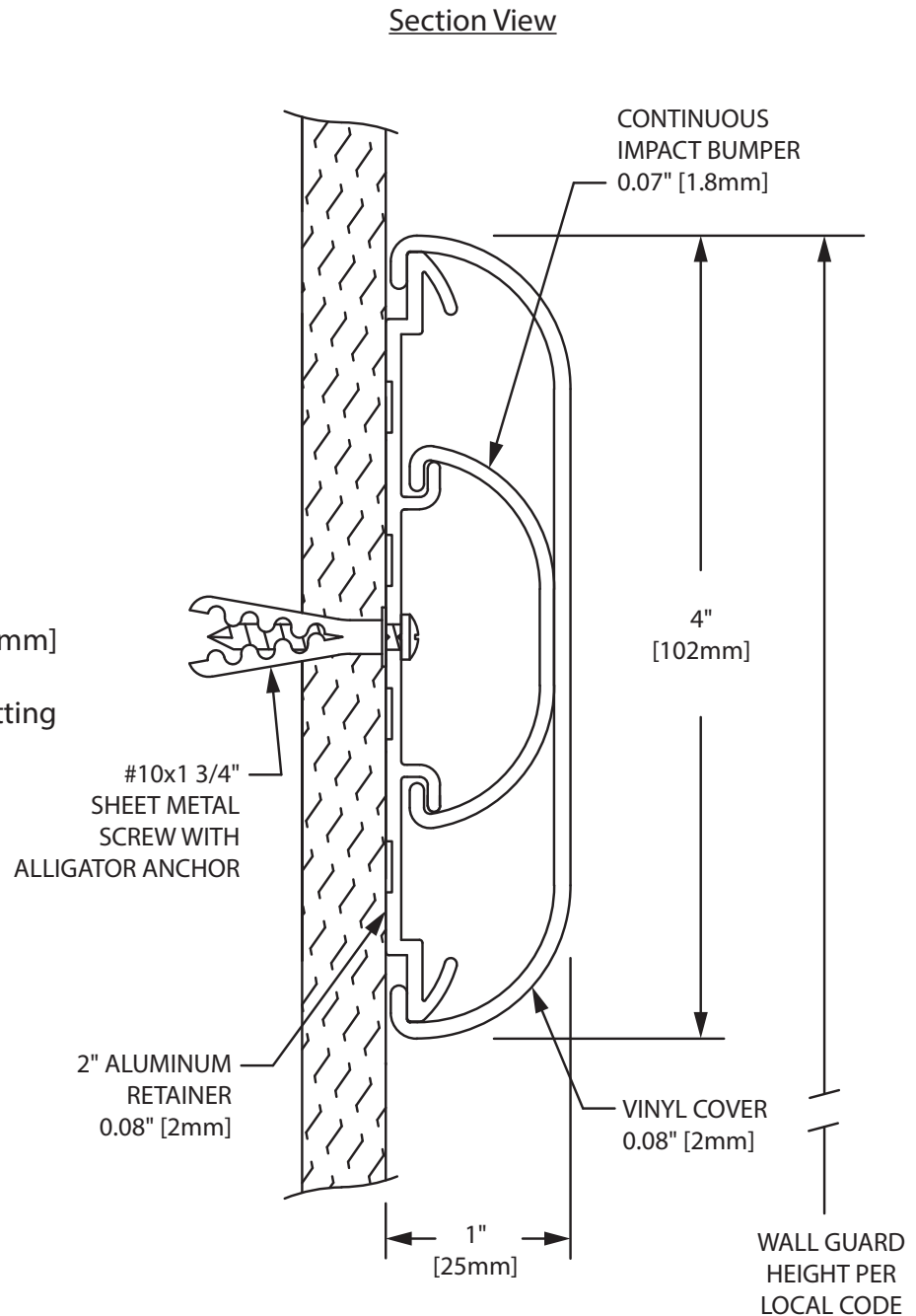
Please read all instructions before installing wallguard.

Important

1. Acclimate materials 24 hrs before installation. Maintain temperature controlled environment after installation.
2. Install in accordance with manufacturer's installation instructions. Failure to do so will void the warranty.

Installation tips

1. Cut covers up to 1/16" [1.6mm] longer to ensure a tight fit.
2. Lubricate blades when cutting aluminum to reduce burrs.



RECOMMENDED TOOLS

Safety Glasses, Tape Measure, Power Drill, Drill Bits - 1/4" masonry (concrete/concrete block), Power Miter Saw, 10" Blade with 60-80 Carbide Tipped Teeth

Installation Instructions

AL-84900 Wall Guards

Please read all instructions before installing wallguard.

Components and Fasteners



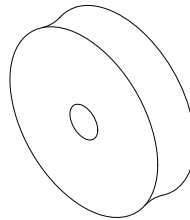
2" ALUMINUM
RETAINER



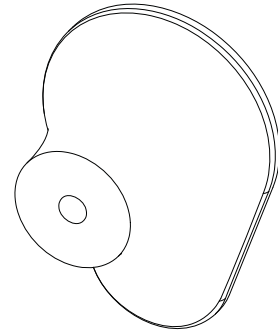
VINYL IMPACT
BUMPER



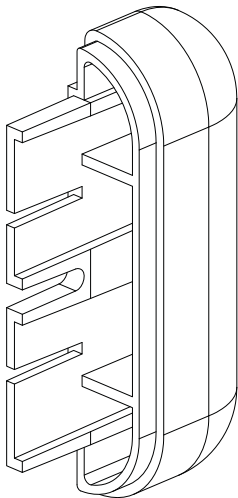
VINYL COVER



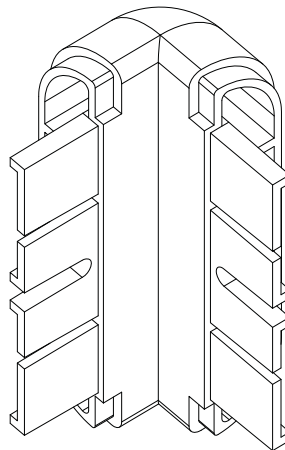
AL-84892
RUBBER SPACER
1/2" THICK
(OPTIONAL)



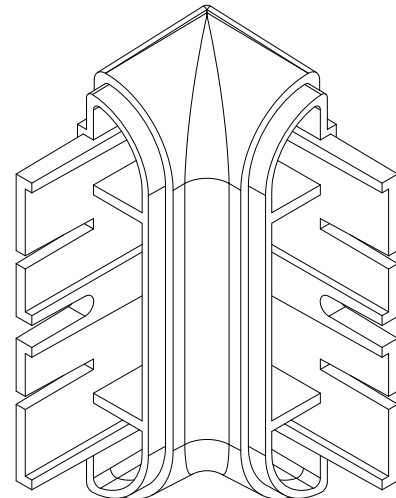
AL-84794
INJECTION MOLDED
BRACKET
(OPTIONAL)



AL-84901
END CAP



AL-84902A
OUTSIDE CORNER



AL-84902C
INSIDE CORNER

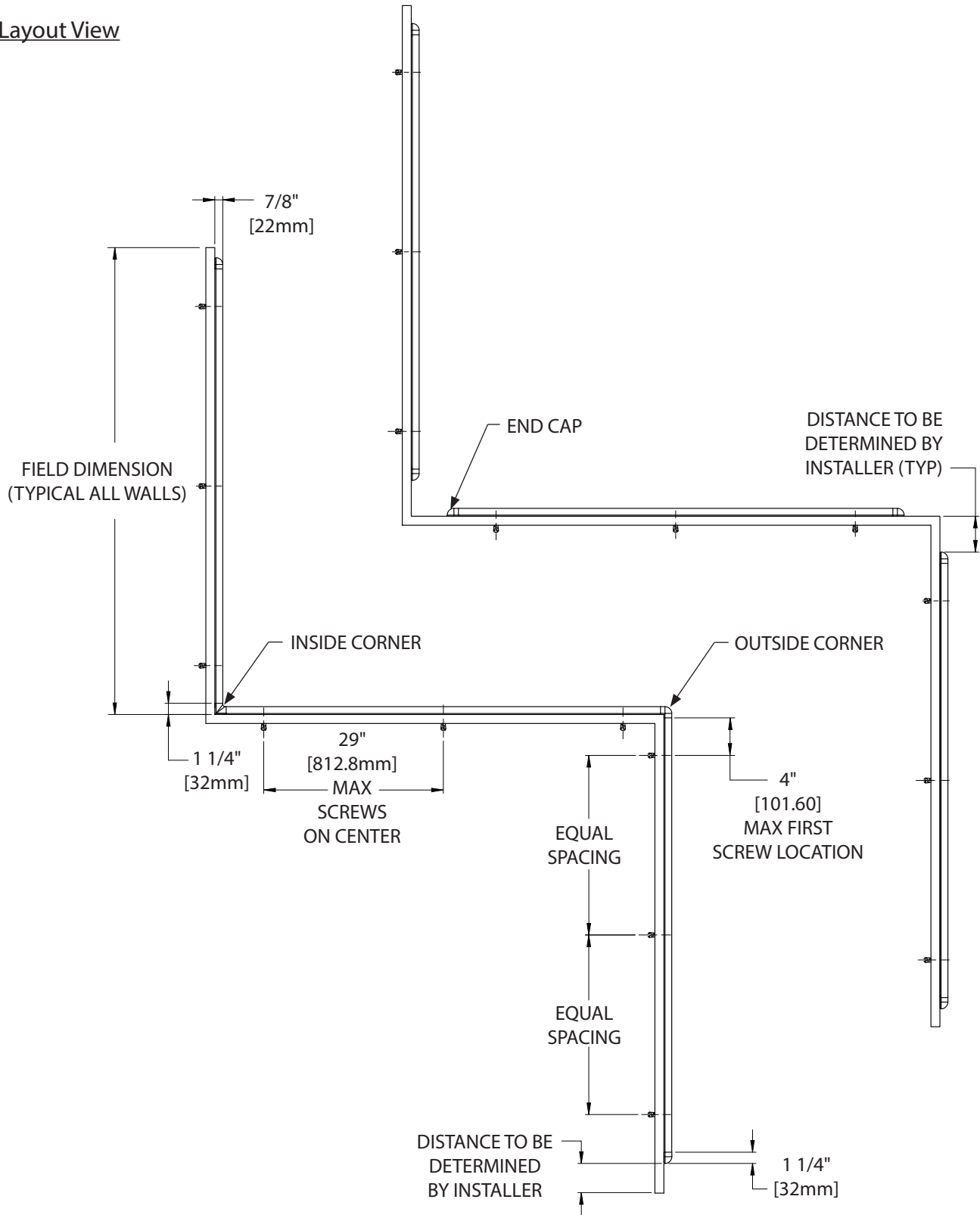
Wall Condition	Specified Fasteners
Infinity Profile Hardware	#10 1 3/4" Phillips pan head sheet metal screw with alligator anchor
Concrete Hardware for End Cap/Corners	#10 1 3/4" Phillips pan head sheet metal screw with alligator anchor
Drywall Hardware for End Cap/Corners	#8 x 1 1/2" Phillips Indented Hex Washer Self-Drilling Screw #2PT ZP

Installation Instructions

AL-84900 Wall Guards

Please read all instructions before installing wallguard.

Layout View

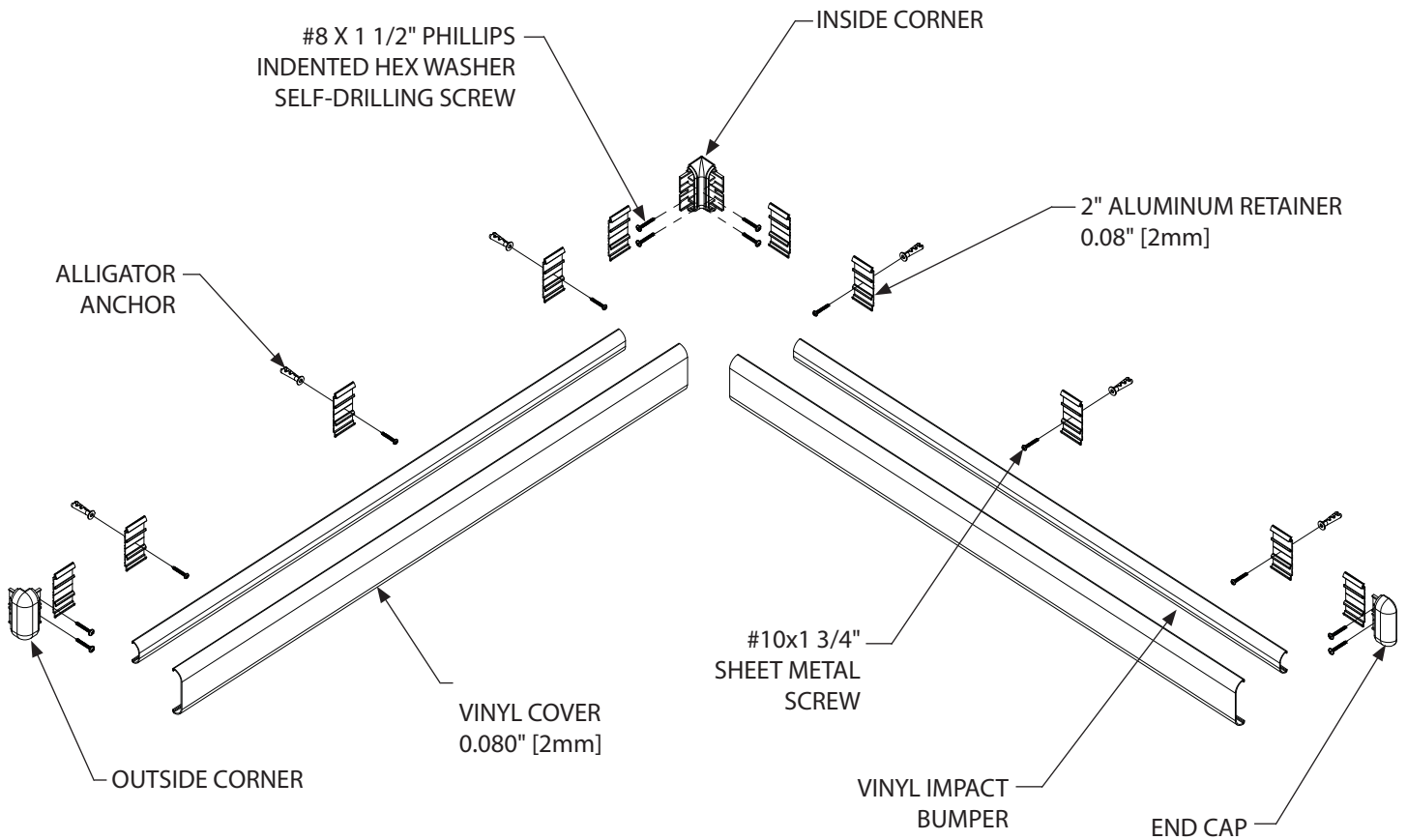


Installation Instructions

AL-84900 Wall Guards

Please read all instructions before installing wallguard.

Exploded Assembly View

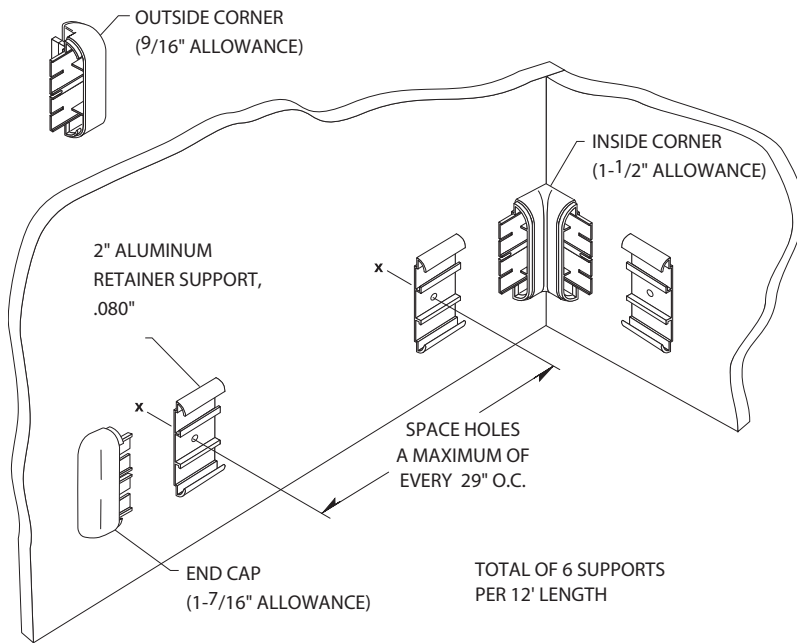


Installation Instructions

AL-84900 Wall Guards

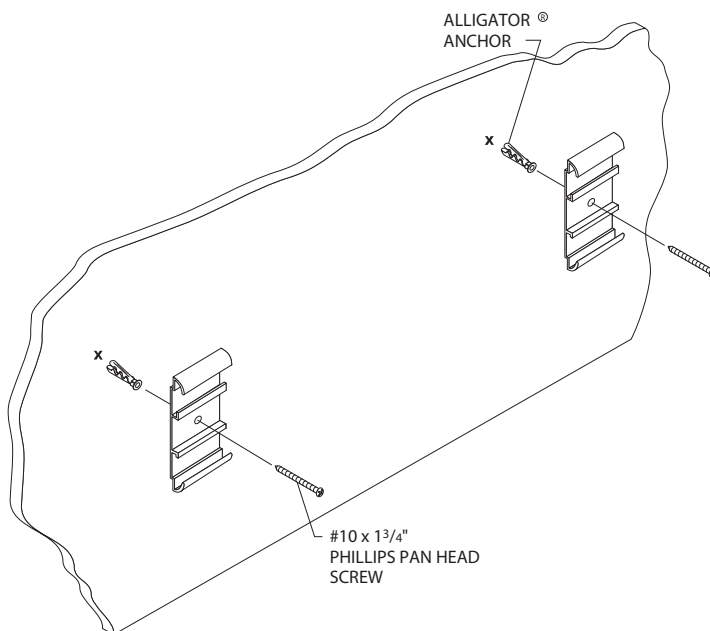
Please read all instructions before installing wallguard.

FIG. 1



1. Determine height of wall guard on wall. Measure down 2" and snap chalk line. Mark mounting holes leaving allowance for returns, outside corners and inside corners. SEE FIG. 1

FIG. 2



2. Drill marked holes on wall using a 1/4" [6mm] drill bit and position Alligator anchors into holes. Mount retainer supports on wall and tighten screws to secure. SEE FIG. 2

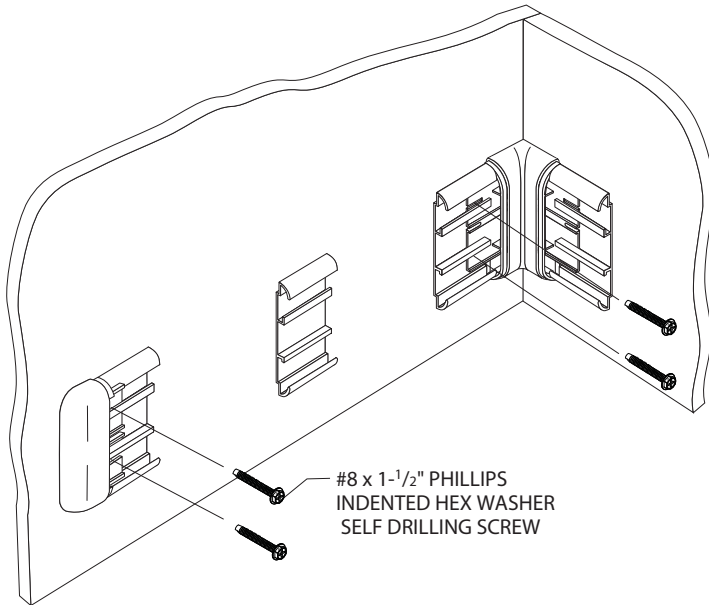
NOTE: For concrete or brick wall installation, drill 1/4" [6mm] holes, 3/8" [10mm] from end of retainer for end caps/corners.

Installation Instructions

AL-84900 Wall Guards

Please read all instructions before installing wallguard.

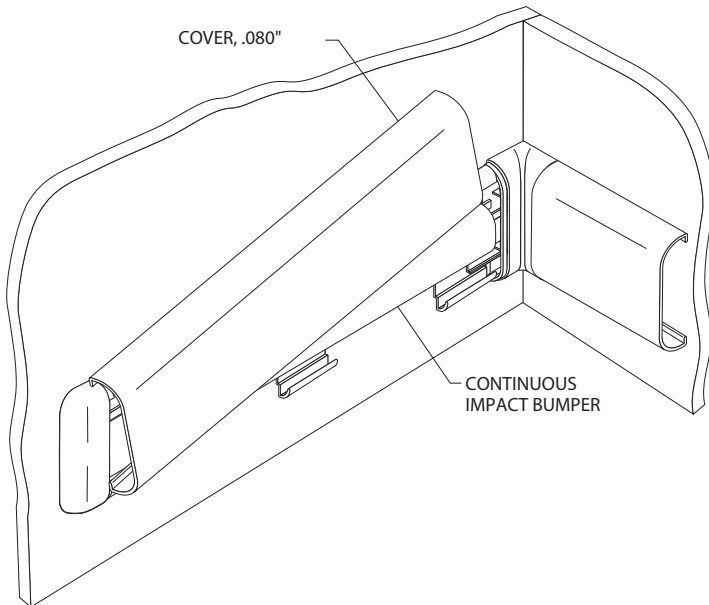
FIG. 3



- Slide end caps and corners onto the retainer support and secure, leaving a 1/16" [1.5mm] gap between returns/corners and retainer to allow for adjustment. SEE FIG. 3

NOTE: For concrete or brick wall installation, use #10 x 1-3/4" Phillips pan head screws to secure retainer to the wall.

FIG. 4



- Cut the impact bumper to the length between the inside edge of the end caps/corners. Position and snap bumper in place. Cut the cover to length between end caps and/or corners. (Note: Trim factory edges square before installation). Position cover on retainer and adjust returns and/or corners for a tight fit. Starting at one end of retainer supports, push cover over the retainer supports until it snaps into place. SEE FIG. 4

info@alcosales.com

800.323.4282

www.alcosales.com

