

# Installation Instructions

## AL-84895 WALL GUARD



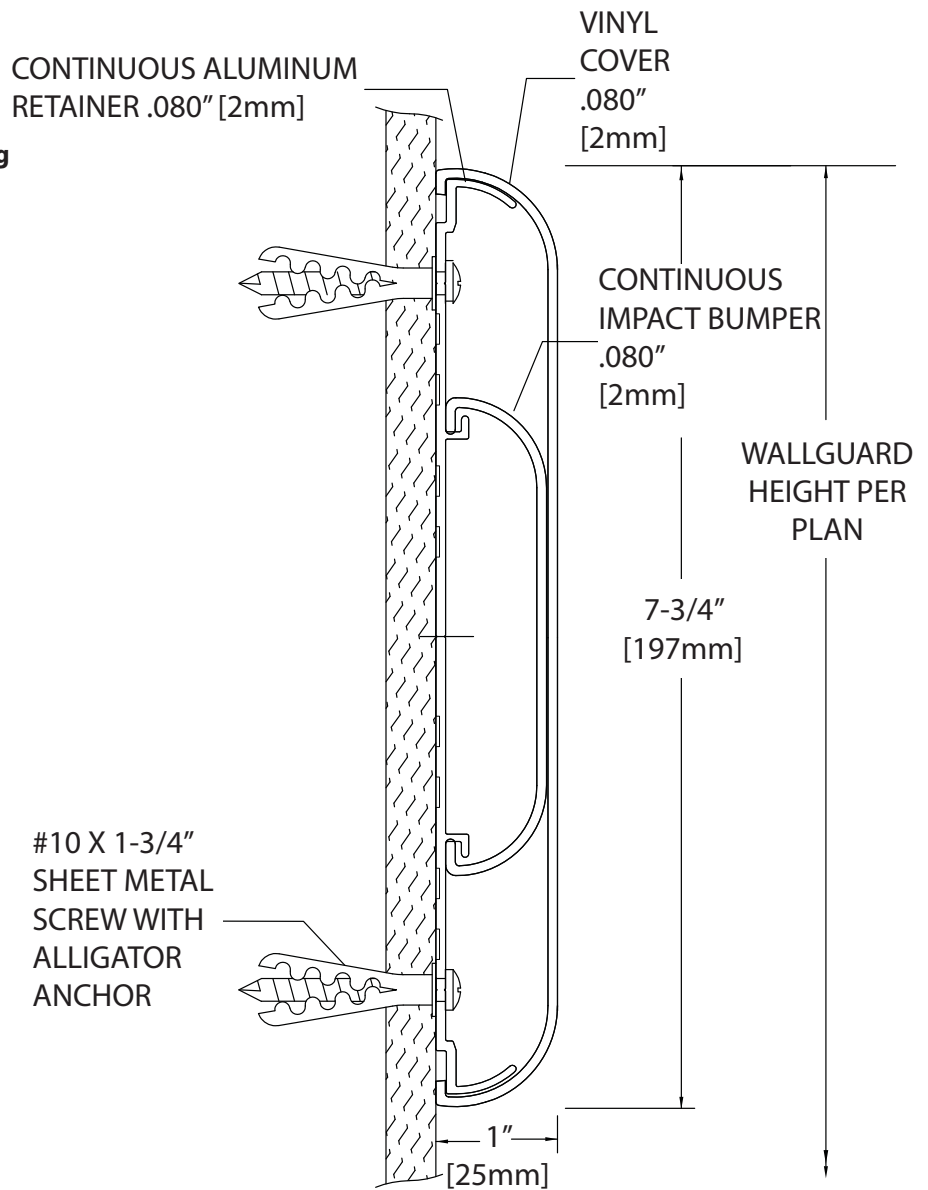
Please read all instructions before installing wallguard.

### Important

1. Acclimate materials 24 hrs before installation. Maintain temperature controlled environment after installation
2. Install in accordance with manufacturer's installation instructions. Failure to do so will void the warranty.

### Installation tips

1. Cut covers up to 1/16" (1.6mm) longer to ensure a tight fit.
2. Lubricate blades when cutting aluminum to reduce burrs.



### SECTION VIEW

#### Recommended tools

Safety Glasses, Tape Measure, Phillips bit for self drilling and sheet metal screws, Level, Power Drill, Drill Bits - 1/4" masonry (concrete/concrete block) bit, Power Miter Saw, 10" Blade with 60-80 Cabide Tipped Teeth

# Installation Instructions

## AL-84895 WALL GUARD

Please read all instructions before installing wallguard.

### Components and fasteners



COVER



OPTIONAL  
REVEAL



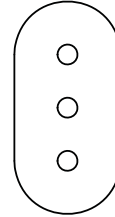
IMPACT  
BUMPER



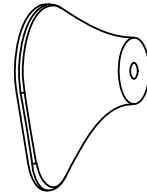
SPLICE



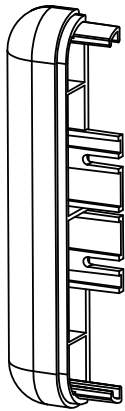
CONTINUOUS  
ALUMINUM  
RETAINER



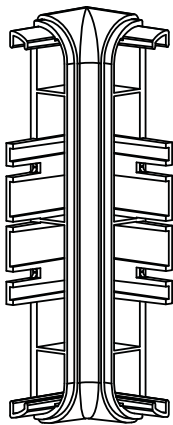
AL-84899  
OPTIONAL  
OVAL  
SPACER



AL-84794  
OPTIONAL  
MOUNTING  
BRACKET



AL-84896  
END  
CAP



AL-84897C  
INSIDE  
CORNER



AL-84897A  
OUTSIDE  
CORNER



#8 1-1/2" PHILLIPS INDENTED  
HEX WASHER SELF-DRILLING  
SCREW



#10 1-3/4" SHEET METAL  
SCREW



ALLIGATOR  
ANCHOR

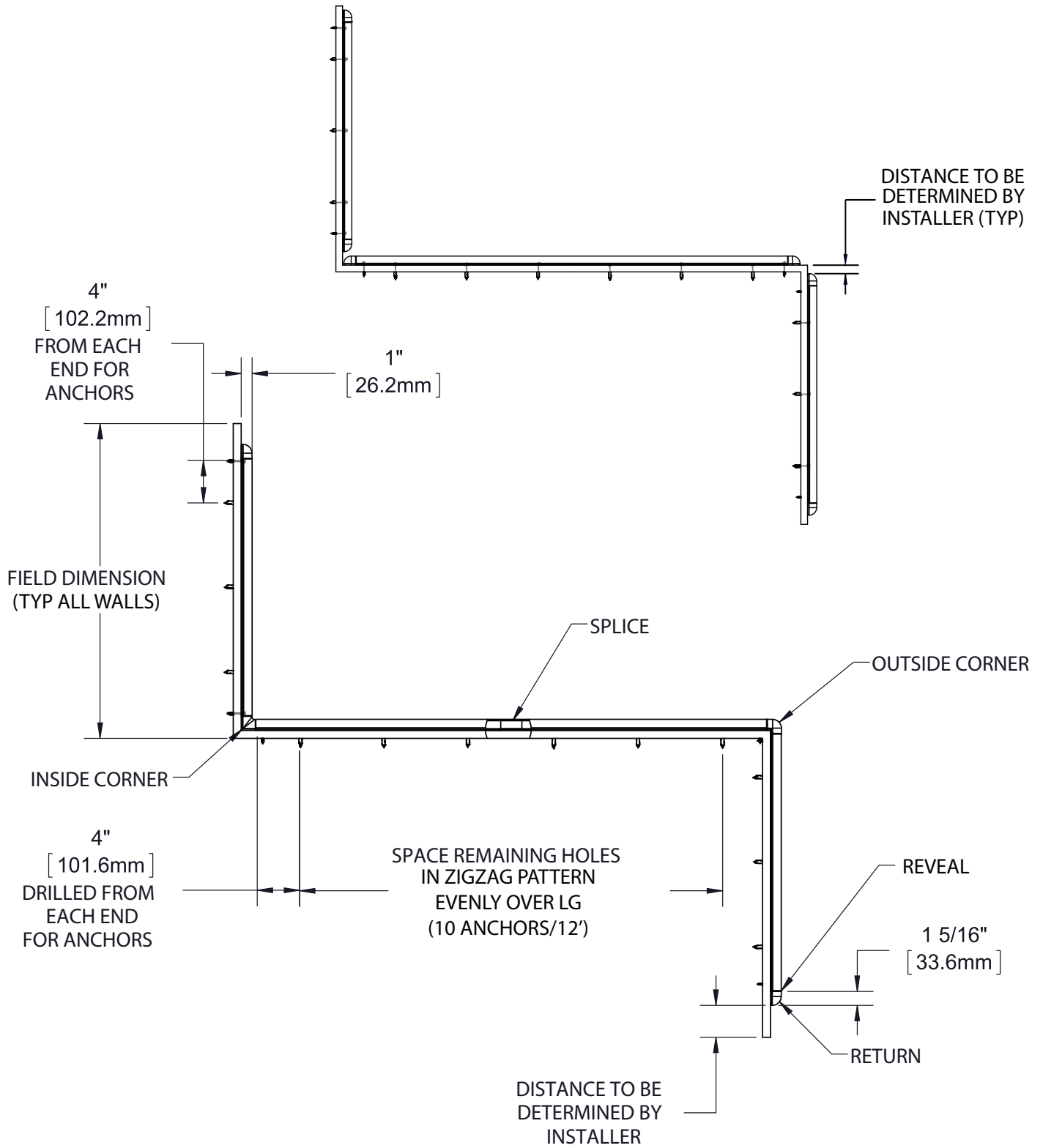
Conditions	Specified Fasteners
Wallguard Profile Hardware	#10 x 1-3/4" Phillips Pan Head sheet metal screw, 1/4" Plastic Alligator anchor
Concrete Hardware for End Caps	#10 x 1-3/4" Phillips Pan Head sheet metal screw, 1/4" Plastic Alligator anchor
Drywall Hardware for End Caps	#8 1-1/2" Phillips Indented Hex Washer Self-Drilling Screws #2PT ZP
Concrete Hardware for Corners	#10 x 1-3/4" Phillips Pan Head sheet metal screw, 1/4" Plastic Alligator anchor
Drywall Hardware for Corners	#8 1-1/2" Phillips Indented Hex Washer Self-Drilling Screws #2PT ZP

# Installation Instructions

## AL-84895 WALL GUARD

Please read all instructions before installing wallguard.

### Layout view

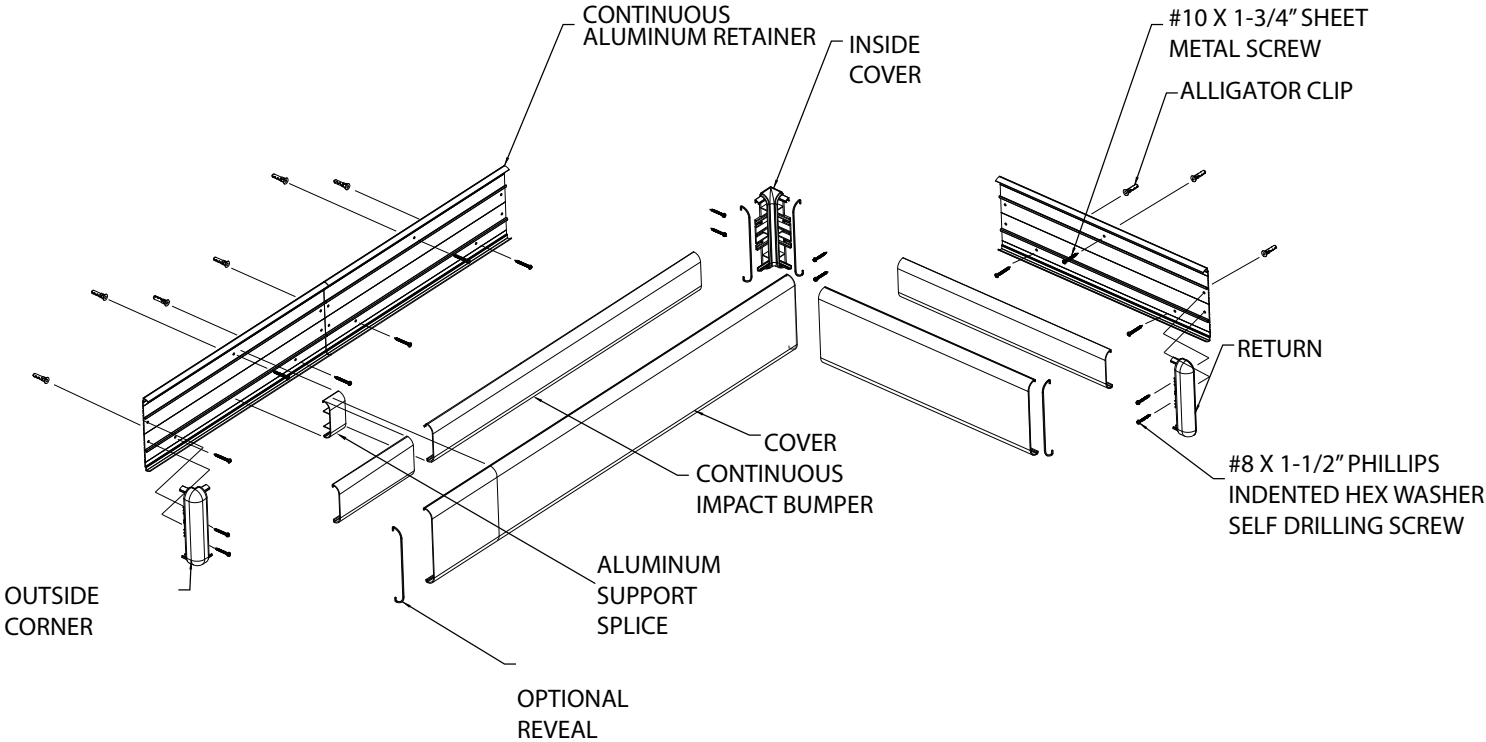


# Installation Instructions

## AL-84895 WALL GUARD

Please read all instructions before installing wallguard.

### Exploded view assembly

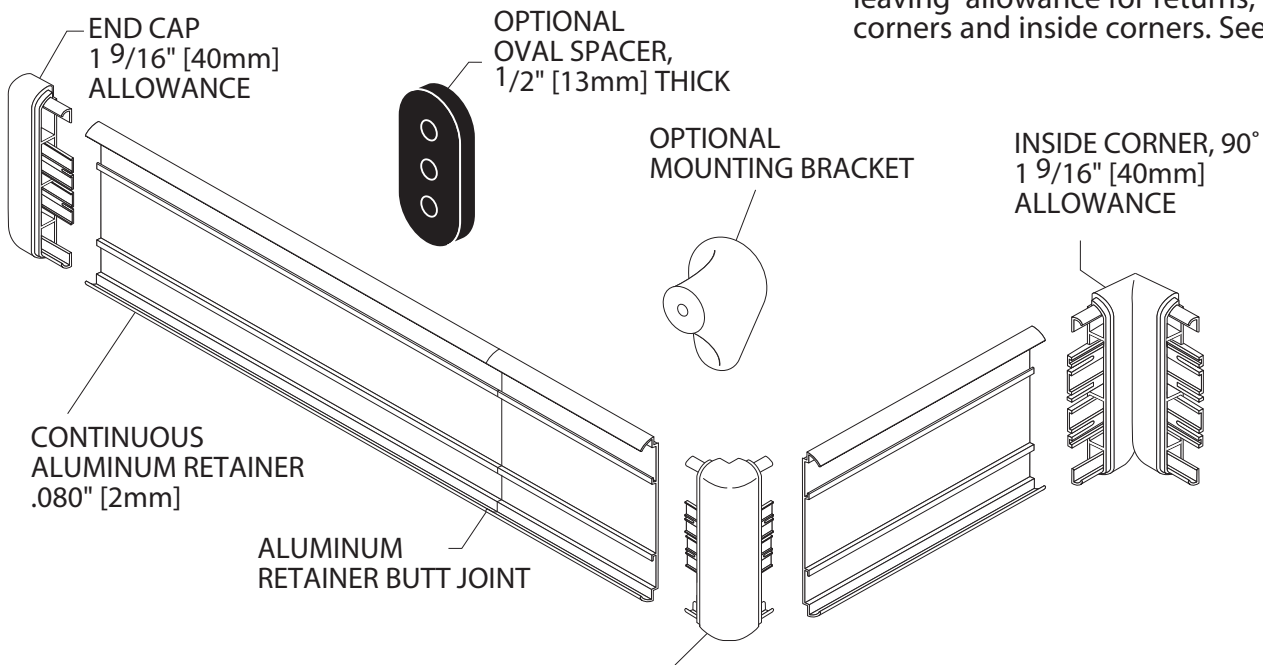


# Installation Instructions

## AL-84895 WALL GUARD

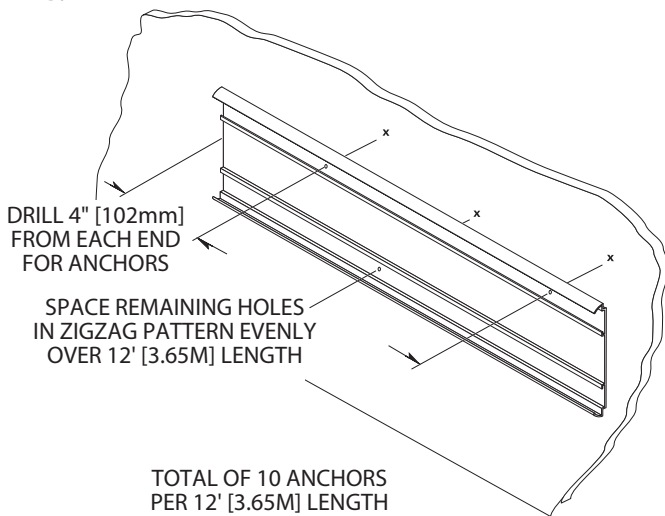
Please read all instructions before installing wallguard.

FIG. 1



1. Cut aluminum retainer to desired length, leaving allowance for returns, outside corners and inside corners. See Figure 1.

FIG. 2



2. Drill holes in retainer using 1/4" [6mm] drill bit in a zigzag pattern. Position retainer on wall allowing for end caps/corners. Level and mark holes. See Fig. 2.

NOTE: For concrete or brick wall installation, drill 1/4" [6mm] holes, 3/8" [10mm] from each end of retainer for end caps/corners.

NOTE: If using brackets or rubber spaces, use bracket or spacer as a template to mark holes when drilling retainer.

FIG. 2a

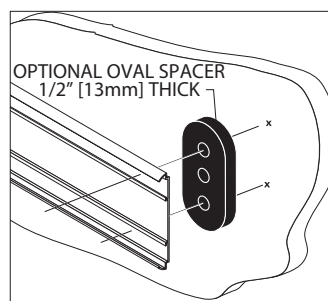
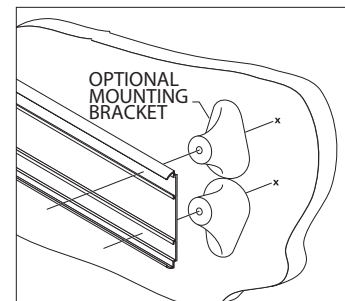


FIG. 2b

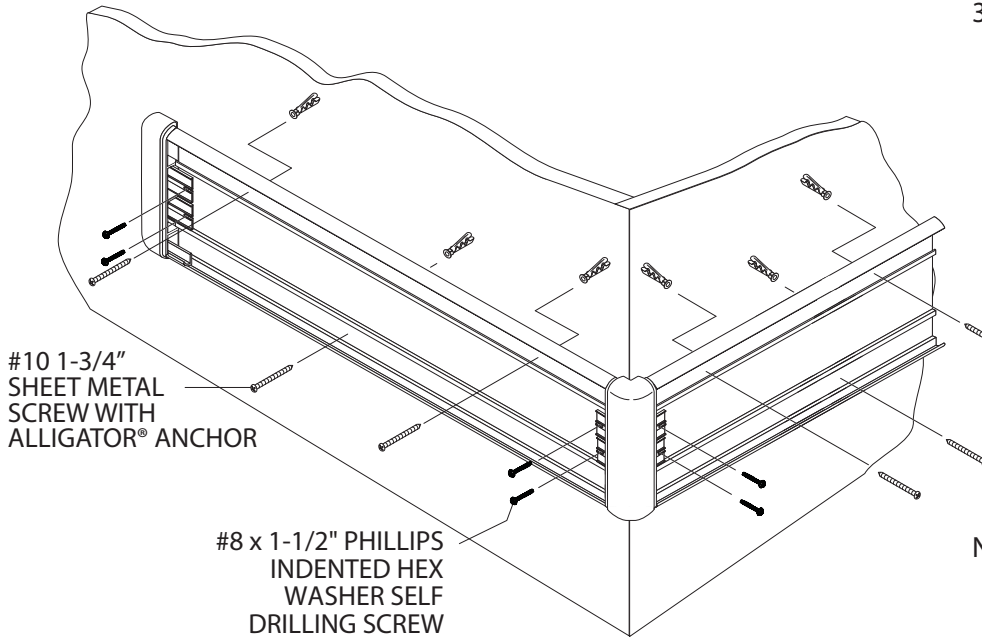


# Installation Instructions

## AL-84895 WALL GUARD

Please read all instructions before installing wallguard.

FIG. 3

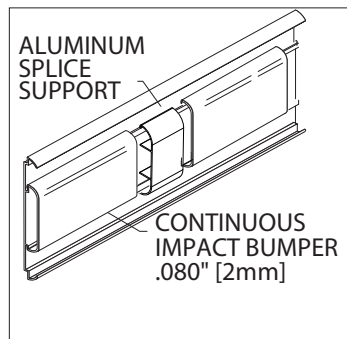


3. Drill marked holes on wall using a 1/4" [6mm] drill bit and position Alligator anchors into holes. Mount retainer on wall and tighten screws to secure. Slide end caps and corners onto the retainer and secure, leaving a 1/16" [1.5mm] gap between returns/corners and retainer to allow for adjustment. See Figure 3.

With lengths over 12' [3.65M], a splice support is recommended between butt joints for added support. See Figure 3a.

NOTE: For concrete or brick wall installation, use #10 x 1 3/4" Phillips pan head screws to secure end caps and corners.

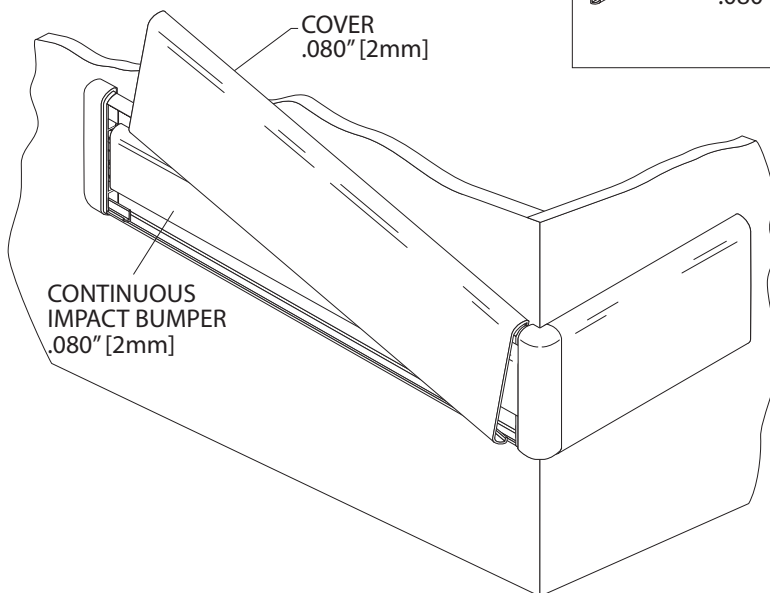
FIG. 3a



NOTE: If rubber spacers are used, attach them behind the retainer at all mounting hole locations, including those for end caps and corners.

NOTE: If brackets are used, use a 3/4" drill bit for toggle wings or a 1/2" drill bit for lead anchors to drill the marked holes on the wall. Attach end caps and corners with 5/8" hex bolt assembly inserted from the back.

FIG. 4



4. Cut the impact bumper to the length between the inside edge of the end caps/corners/splices. Position and snap bumper in place. Cut the cover to length between end caps and/or corners. (Note: trim factory edges square before installation). Position cover on retainer and adjust returns and/or corners for a tight fit. Push cover over the retainer until it snaps into place. See Figure 4.

[info@alcosales.com](mailto:info@alcosales.com)

800.323.4282

[www.alcosales.com](http://www.alcosales.com)

