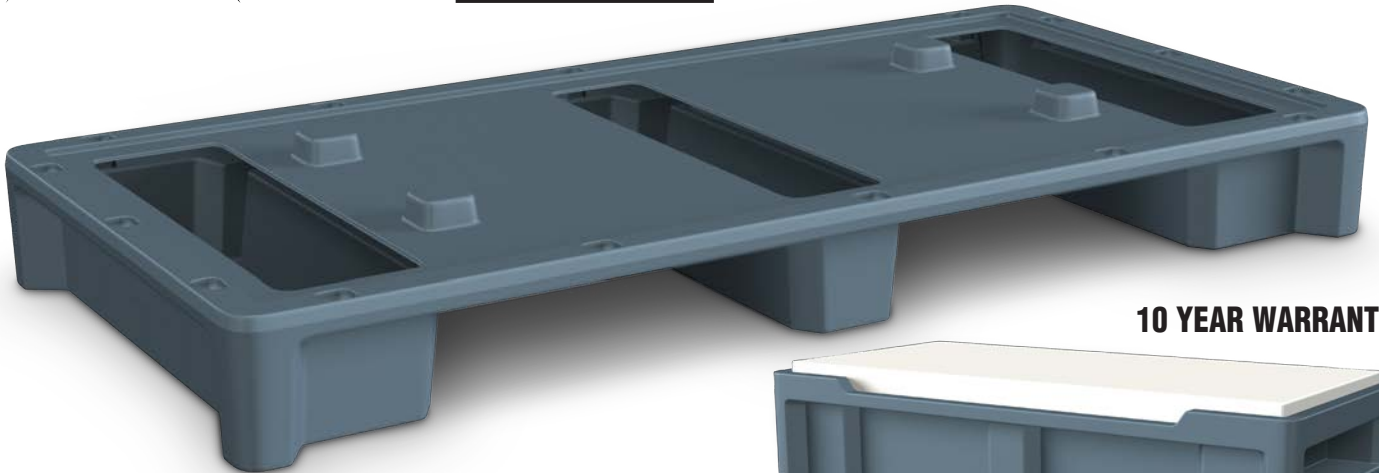


**THE ULTIMATE
COMBINATION OF
FUNCTION AND DESIGN**

Endurance
Bed Riser *Extreme-Use Furniture*

The Endurance Series Furniture line is ideal for continuous use in extreme environments. The ultimate combination of function and design.



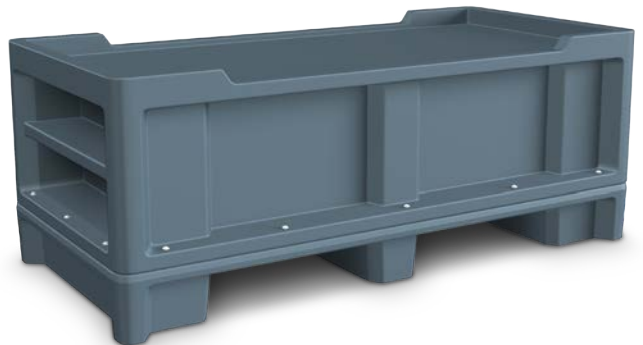
10 YEAR WARRANTY

The Endurance Bed Riser is designed to be combined with the Endurance 2.0 Bed for increased bed height for easier patient care, easier patient entry and exit, as well as allowing for mechanical lift device use.

THE ENDURANCE BED RISER FEATURES:

- Designed for use with Endurance Bed 2.0.
- A 10 Year Warranty.
- Bolts into Endurance Bed 2.0 through existing mounting holes.
- Can be easily filled with sand through ballast door on site to weigh down. Secures with tamperproof screws.
- Can be used in free standing or bolt down scenario.
- Durable, one piece, rotationally molded design for increased strength. Constructed of high impact “no break” polyethylene.
- Can be bolted to the floor via concealed pilot holes with hardware of your choice.
- Manufactured to ISO Quality Standards in the USA.
- Stain resistant.
- Easy to clean and maintain.
- Flame Retardant (passes Cal 133).
Test reports available upon request.

*Shown mounted with floor mount Endurance Bed 2.0.
Mattress sold separately.*



100% AMERICAN MADE



ITEM	DESCRIPTION
AL-84726BK	Black
AL-84726BLG	Blue Grey
AL-84726BR	Brown
AL-84726GR	Green
AL-84726GY	Grey
AL-84726SBL	Slate Blue
AL-84726SD	Sand

Ideal For Use In: Behavioral/Mental Health Facilities, Hospitals & Correctional Facilities.

info@alcosales.com

800.323.4282

www.alcosales.com

