

# preciso<sup>®</sup>

## Medical Supply Carts



AL-83888R

### Features

Aluminum walls and angulars

Numerous drawer configuration and color choices

Wide top surface in injection molded PC/ABS with three-sided push handles

Base with built-in bumper

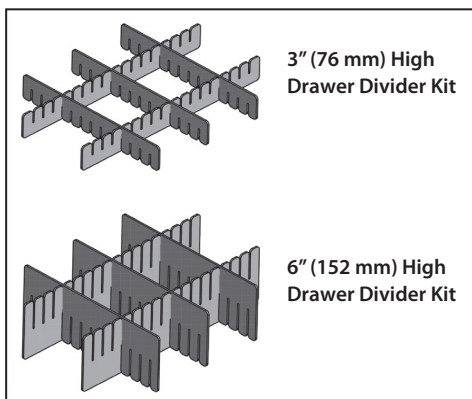
Central key lock system

Self-closing drawers on ball bearing rails with pull handle, label holder and color I.D. tag

Lateral extendable working surface

5" (125 mm) swivel casters with twin swivel wheels, two with brake

### Optional Drawer Dividers



3" (76 mm) High  
Drawer Divider Kit

6" (152 mm) High  
Drawer Divider Kit

Call 800-323-4282 to order

### Standard Side Colors



Yellow

Red

Blue

Gray

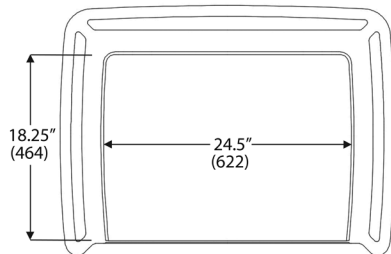
### Drawer Color I.D. Tags

COLOR		COLOR	
Red		Gray	
Green		Orange	
Yellow		White	
Blue		Pink	
Violet		Call 800-323-4282 to order	

**Model Details**

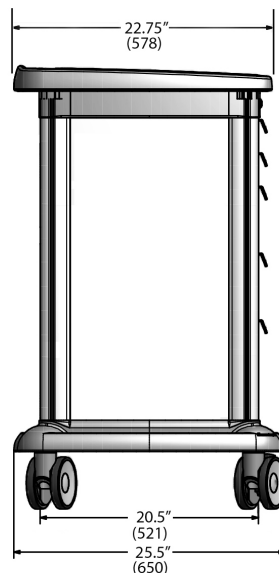
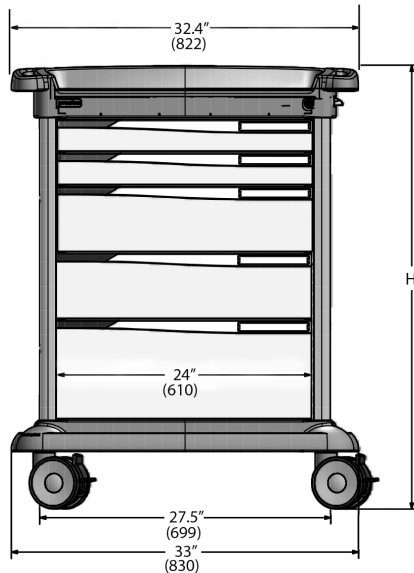
AL#	COLOR	# OF DRAWERS/ DRAWER HEIGHTS*	DRAWER CAVITY SPACE	DIMENSIONS			SHIP WT. LBS (KG)
				WIDTH	DEPTH	HEIGHT	
AL-83886	Add color designation after part number: Y = Yellow BL = Blue R = Red GY = Gray  Contact factory for additional color options.	4 drawers: 1 - 3" (76 mm), 3 - 9" (229 mm)	30" (762 mm)	33" (830 mm)	25.5" (650 mm)	Overall: 44.75" (1137 mm) Work Surface: 42.6" (1080 mm)	144 (65 KG)
AL-83887		3 drawers: 2 - 9" (229 mm), 1 - 12" (305 mm)	30" (762 mm)	33" (830 mm)	25.5" (650 mm)	Overall: 44.75" (1137 mm) Work Surface: 42.6" (1080 mm)	144 (65 KG)
AL-83888		6 drawers: 4 - 3" (76 mm), 1 - 6" (152 mm), 1 - 12" (305 mm)	30" (762 mm)	33" (830 mm)	25.5" (650 mm)	Overall: 44.75" (1137 mm) Work Surface: 42.6" (1080 mm)	170 (77 KG)
AL-83889		6 drawers: 3 - 3" (76 mm), 2 - 6" (152 mm), 1 - 9" (229 mm)	30" (762 mm)	33" (830 mm)	25.5" (650 mm)	Overall: 44.75" (1137 mm) Work Surface: 42.6" (1080 mm)	162 (73 KG)
AL-83890		6 drawers: 4 - 3" (76 mm), 1 - 6" (152 mm), 1 - 9" (229 mm)	27" (686 mm)	33" (830 mm)	25.5" (650 mm)	Overall: 41.55" (1055 mm) Work Surface: 39.4" (1000 mm)	157 (71 KG)
AL-83891		3 drawers: 3 - 9" (229 mm)	27" (686 mm)	33" (830 mm)	25.5" (650 mm)	Overall: 41.55" (1055 mm) Work Surface: 39.4" (1000 mm)	131 (59 KG)
AL-83892		9 drawers: 9 - 3" (76 mm)	27" (686 mm)	33" (830 mm)	25.5" (650 mm)	Overall: 41.55" (1055 mm) Work Surface: 39.4" (1000 mm)	182 (83 KG)
AL-83893		4 drawers: 3 - 6" (152 mm), 1 - 9" (229 mm)	27" (686 mm)	33" (830 mm)	25.5" (650 mm)	Overall: 41.55" (1055 mm) Work Surface: 39.4" (1000 mm)	141 (64 KG)
AL-83894		4 drawers: 2 - 3" (76 mm), 1 - 6" (152 mm), 1 - 12" (305 mm)	24" (610 mm)	33" (830 mm)	25.5" (650 mm)	Overall: 38.45" (977 mm) Work Surface: 36.3" (920 mm)	144 (65 KG)
AL-83895		5 drawers: 3 - 3" (76 mm), 1 - 6" (152 mm), 1 - 9" (229 mm)	24" (610 mm)	33" (830 mm)	25.5" (650 mm)	Overall: 38.45" (977 mm) Work Surface: 36.3" (920 mm)	144 (65 KG)
AL-83896		3 drawers: 1 - 6" (152 mm), 2 - 9" (229 mm)	24" (610 mm)	33" (830 mm)	25.5" (650 mm)	Overall: 38.45" (977 mm) Work Surface: 36.3" (920 mm)	127 (58 KG)
AL-83897		4 drawers: 1 - 3" (76 mm), 2 - 6" (152 mm), 1 - 9" (229 mm)	24" (610 mm)	33" (830 mm)	25.5" (650 mm)	Overall: 41.55" (1055 mm) Work Surface: 39.4" (1000 mm)	136 (62 KG)

\* Drawers are 21.5" (546 mm) wide x 16.25" (413 mm) deep inside.



**Specifications:**

Aluminum and plastic construction in a variety of drawer configurations. Plastic molded self-closing drawers on ball bearing square rails with front pull handle, label holder and choice of color-coded ID tag. Aluminum sides and back with aluminum corner posts. Powder coated aluminum sides in choice of four standard colors. Wide work top surface of injection molded PC/ABS with dual three-sided push handles. Top includes pull-out workshelf. Injection molded PC/ABS base with built in bumper. Central key locking system. Casters are 5" (125 mm) swivel with twin wheels, two with brake.



**Optional Accessories:**

- 3" (76 mm) High Drawer Dividers
- 6" (152 mm) High Drawer Dividers
- Standard Trellis
- Tall Trellis
- 4-Bin Overhead Box\*
- 5-Bin Overhead Box\*
- Solid Tray\*
- Divided Tray\*
- I.V. Hook\*
- Glove Box Holder
- Laptop Computer Tray
- Universal Sharps Container Holder
- Instrument Hook\*
- Lateral Accessory Rail
- Defibrillator Plate Holder
- Stainless Steel Wire Mesh Basket
- Catheter Holder
- I.V. Pole
- Waste Receptacle
- Custom Side Color \_\_\_\_\_

\*For use with standard or tall trellis

Call 800-323-4282 to order

