

Installation and User Manual

AL-83874

**TILT™ Toilet Incline Lift**



Visit [www.alcosales.com](http://www.alcosales.com) for product specifications

1-800-323-4282

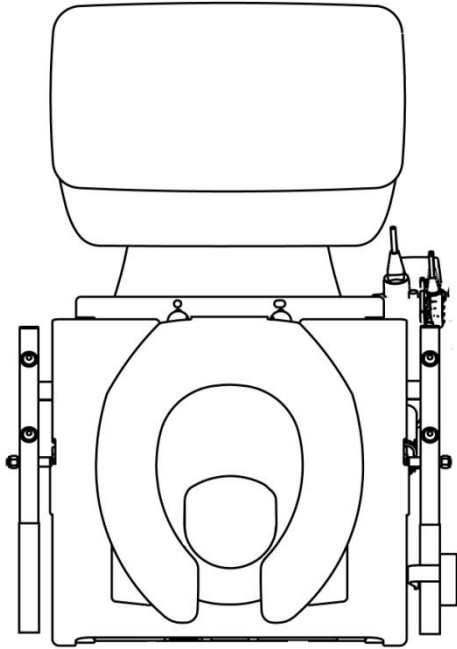


Manufactured in the USA

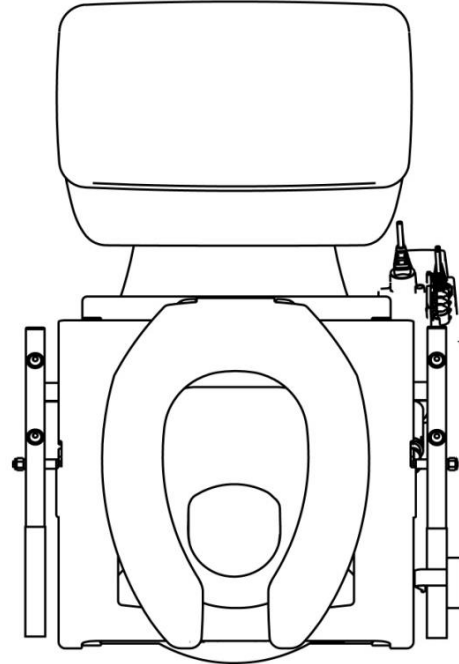


## INTRODUCTION

- ✓ Thank you for purchasing the TILT™ Toilet Incline Lift (TILT). Please read these instructions entirely before installing or using your new TILT.
- ✓ After installation, it's important that you raise and lower the TILT 3-4 times, without sitting on the seat, to learn its functionality.



**TILT™ Standard Seat**



**TILT™ Elongated Seat**

## SYMBOL MEANINGS

- ⚠ The **WARNING** symbol indicates a potentially hazardous condition/situation. The safety warnings throughout this manual, and on your equipment, if any, are for the protection of people and property. Failure by any operator to abide by safety warnings will result in a waiver of all liabilities, loss of your warranty, and could result in equipment damage and or failure, property damage, risk of serious bodily injury, and or death. The symbol may appear in various colors and in conjunction with other symbols.
- ✋ The **NOTE** symbol indicates important information. Failure to obey all notes could result in improper operation, less-than-optimum equipment performance, and at the sole discretion of the equipment manufacturer, may void your warranty. The symbol may appear in various colors and in conjunction with other symbols.

## **WARNING!**

- ⚠ Rated load: 325 lbs. **NEVER EXCEED RATED LOAD.**
- ⚠ Use the TILT only with a qualified helper.
- ⚠ Manufacturer recommends professional installation and maintenance.
- ⚠ Read this manual in its entirety before installation. Understand and learn the location and function of all the features, safety devices, and labels before operating. Correct installation, proper use, and following of instructions and obeying safety warnings of the TILT are necessary for safe operation.
- ⚠ For residential use only.
- ⚠ For use with floor mount toilets only.
- ⚠ Observe and avoid all pinch points and always keep hands above the seat when operating the TILT.
- ⚠ Ensure that there is no interference within the TILT's range of movement.
- ⚠ For safety purposes, it is important to wear footwear with firm, non-skid soles when using the TILT.
- ⚠ Ensure floor is not slick. Remove loose rugs and make sure that the area around the TILT is free of all obstructions and moisture.
- ⚠ The TILT is strictly an assist lift. The patient must have dexterity, strength, and balance in order to use the TILT safely. Non-responsive or combative patients may not be suited for the TILT.
- ⚠ Never use TILT with clothes on as the seat can be slippery!
- ⚠ Never modify the TILT or any of its components. Padded toilet seats cannot be used.
- ⚠ Periodic inspections by a qualified technician are recommended to help prevent unsafe conditions. Regularly check that all parts are in good condition and verify all nuts, bolts, screws and other fasteners are undamaged and secure. If any part of the system is damaged or loose, **DO NOT USE** until repairs can be made by a qualified technician.
- ⚠ Do not use TILT for anything other than its intended purpose.
- ⚠ Do not route power cords near anywhere they may become damaged, pinched, create trip hazards, or cause other safety concerns. Check all TILT cords frequently to be sure they are not worn or frayed. Stop using the TILT immediately and contact your dealer for inspection, repairs, and service if any defect is suspected. **DO NOT** patch a broken or damaged cord.
- ⚠ To reduce risk of shock and or electrical hazard, keep all electrical components free from moisture at all times.
- ⚠ Never play on or near the TILT.
- ⚠ Before and during TILT operation, ensure all hair, jewelry, shirts, ties, shoe laces, and all forms of clothing and other personal ornamentation **are not** and **do not** hang up on anything that may create a hazard.
- ⚠ Maintaining all labels and manuals in legible condition is required by the TILT owner and is essential for safe operation. Contact your dealer for additional information, replacement labels and manuals, or to schedule inspections, repairs or service. For additional care, use or safety information, please call 1-800-323-4282 or visit us at [www.alcosales.com](http://www.alcosales.com).

## **NOTES**

- 🖐 Information in this document is subject to change without notice. The most current version of this manual is available on our website at [www.alcosales.com](http://www.alcosales.com).
- 🖐 Before installation, ensure that there is enough space for proper TILT operation.
- 🖐 The TILT warranty is not transferable. Attempting to tamper with or modify any portion of the TILT will void the warranty. Using the TILT for anything other than its intended purpose will void the warranty.

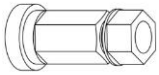


## **BOX CONTENTS**

- ⚠ Open box and inspect contents for shipping damage before use. In case of damage, **DO NOT USE** the Lift. Please call 1-800-323-4282 for further instructions.

## **TOOLS NEEDED**

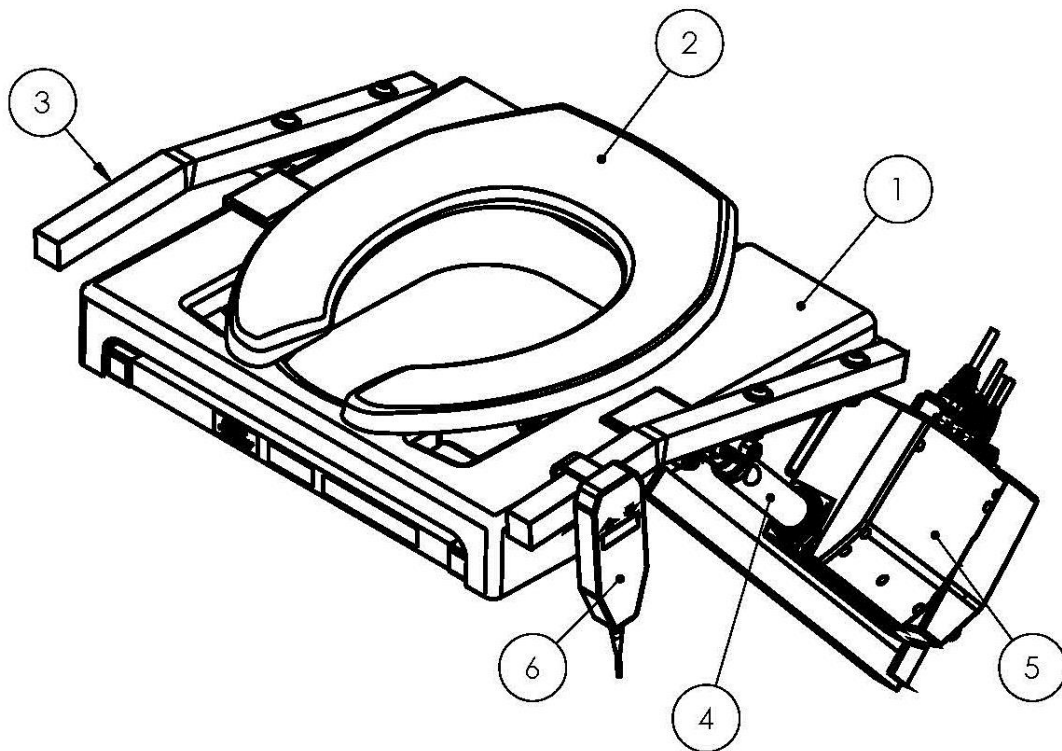
- ✓ 5/8" wrench
- ✓ 9/16" wrench

## HARDWARE CONTENTS

QTY	DESCRIPTION	VISUAL
2	PLASTIC TOWER NUT	
2	WASHER FLAT .375 X .875 X .06 TEFLON	
2	BOLT HEX .375-16 X 1.75 GRADE 18-8, PARTIAL THREAD	

## OVERVIEW

REFERENCE	DESCRIPTION
1	PLASTIC SHIELD - REMOVABLE
2	TOILET SEAT – STANDARD SEAT SHOWN
3	HANDLES WITH FOAM GRIP
4	LINEAR ACTUATOR – MOUNTED TO TILT FRAME
5	120V AC CONTROL BOX
6	PUSH BUTTON CONTROL – HANDHELD DEVICE

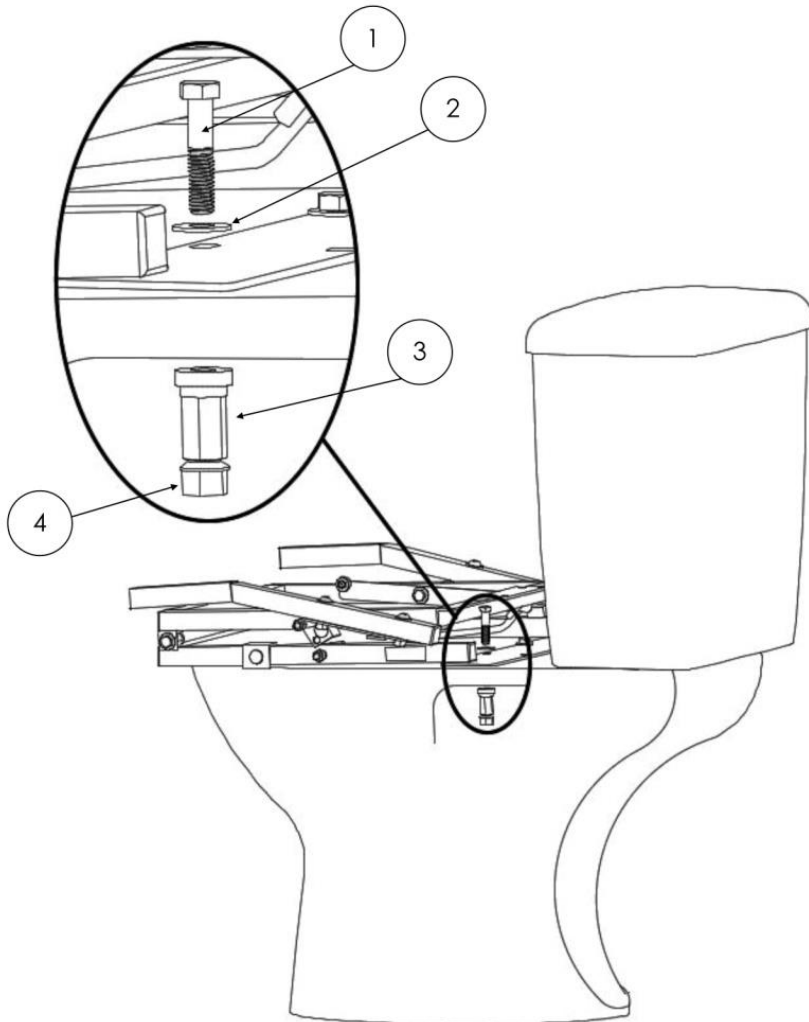


## GETTING STARTED

1. Before installation, ensure that there is enough space for proper TILT operation. Six inches is needed on either side of the toilet bowl, and 7-1/2 inches is needed in front of the bowl.

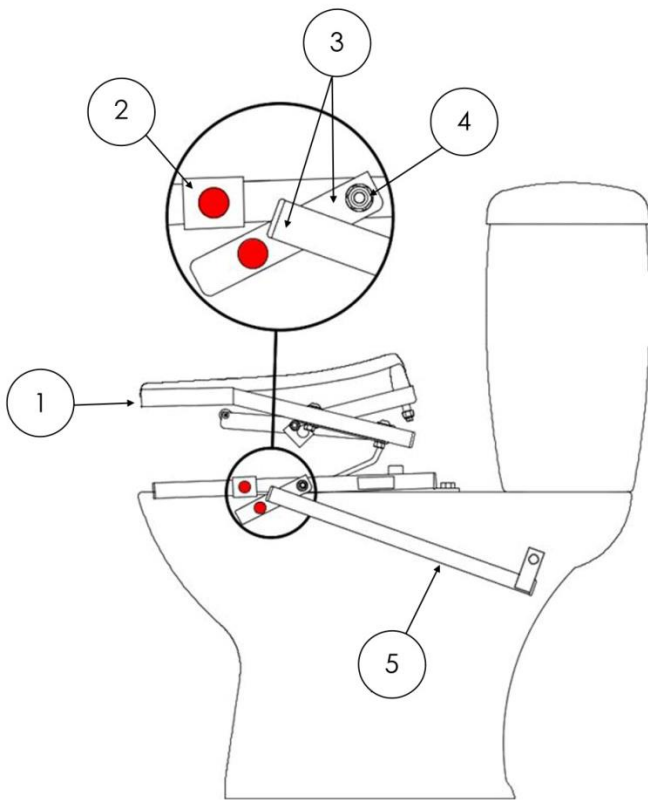
## INSTALLATION

### 2. FRAME INSTALLATION



- 2.1 Remove the existing seat and lid from the toilet bowl, and then set aside.
  - ✎ The TILT ships with its own seat, which will replace your toilet's current seat and lid.
- 2.2 Set the TILT frame on the toilet, in place of the seat that was previously removed. Align the holes on the TILT's mounting plate with the existing two holes on the toilet bowl.
  - ✎ The mounting plate front holes are for a round front STANDARD bowl and the back holes are for an ELONGATED bowl.
- 2.3 Using the hardware provided, place a mounting screw (1) and Teflon washer (2) through each hole in the TILT frame and into the hole on the toilet bowl. Using a 9/16" wrench, hold the top of the mounting screw in place, attach the plastic tower nut (3) to the bottom side of the mounting screw, and finger tighten until snug. Repeat the process for second hole.
- 2.4 Tighten each plastic tower nut (3) by tightening the snap nut (4) with a 5/8" wrench.
  - 2.4.1 The snap nut (4) will snap off the plastic tower nut (3) once the plastic tower nut is properly tightened (torqued).
    - ✎ For clarity, image is shown without Linear Actuator attached.

### 3. CONTROL MOUNT



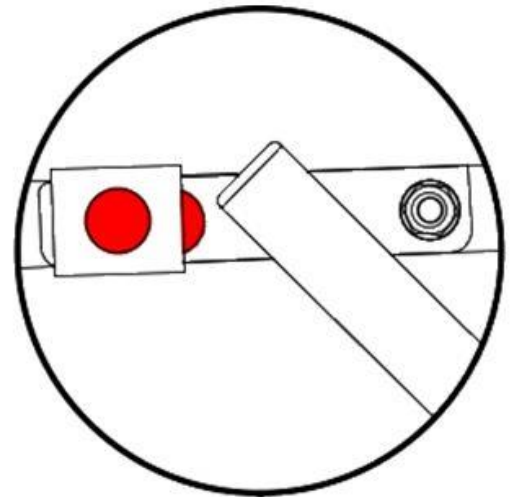
3.1 With the TILT frame bolted to the toilet, pull the two handles ① forward until the seat is fully raised and slightly overextend (this will allow the seat to stay in the “up” position while the motor is being placed and mounted).

✎ For clarity, image is shown without Linear Actuator attached.

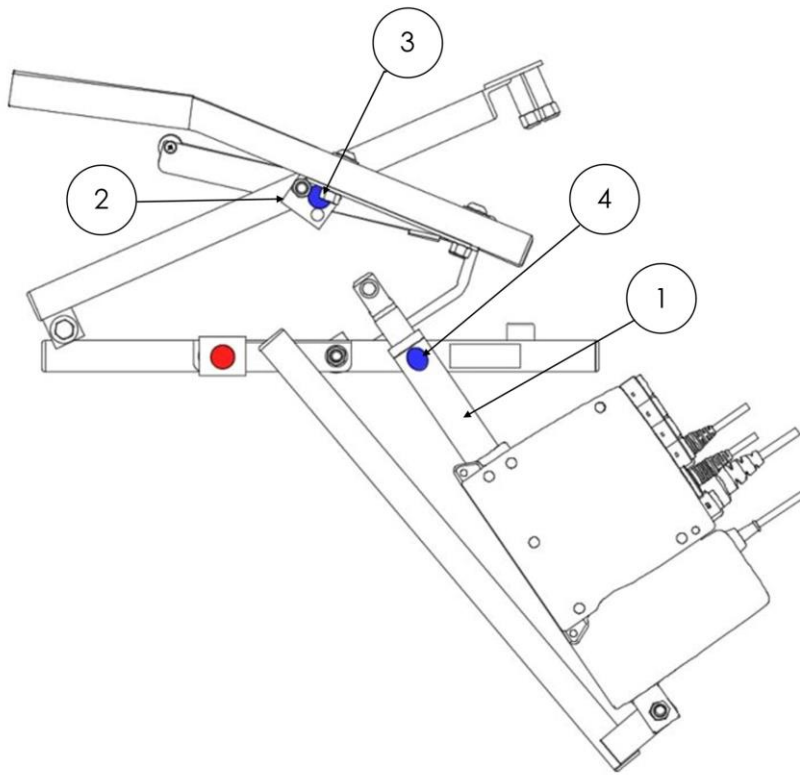
3.2 Slide control mount ③ over bolt ④ as shown. With hand on position ⑤ push control mount down until it slides below and behind frame bracket ②.

3.3 Ensure that the control mounts rest completely inside of the frame.

3.3.1 The red dots should align at this point and when control mount is in proper position, it will look like the image below.

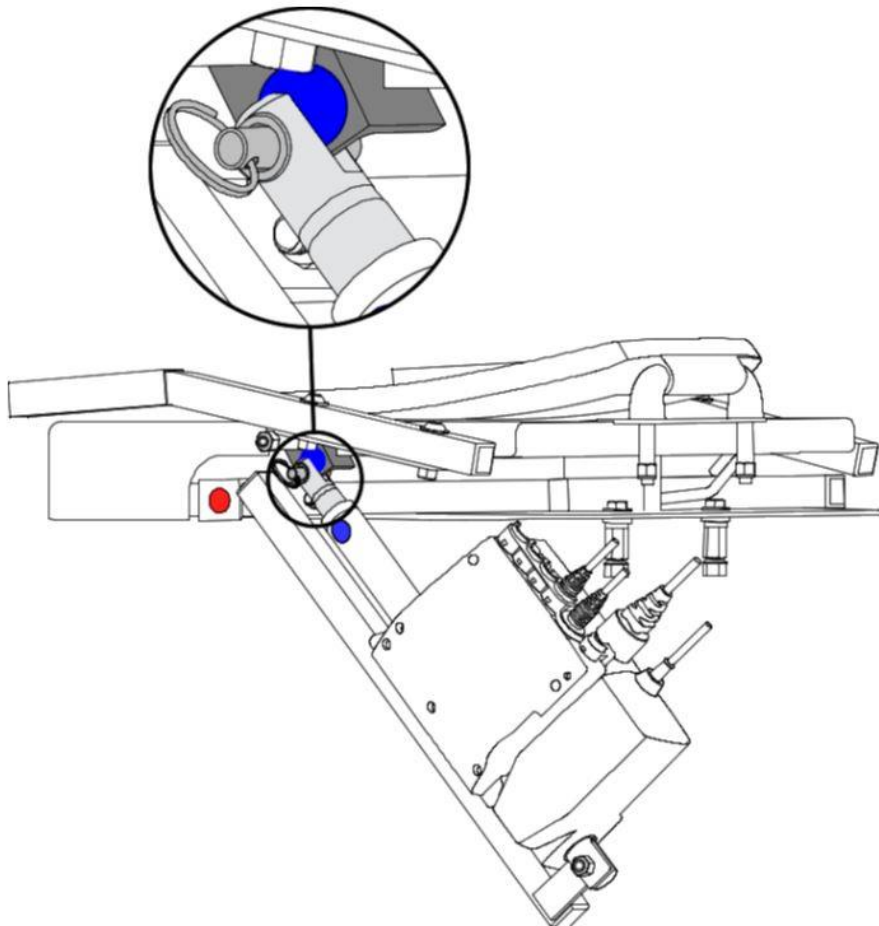


#### 4. LINEAR ACTUATOR



4.1 Using the blue dots on upper actuator bracket (3) and linear actuator (4) as guides, hold linear actuator (1) and lower the seat to align the control mount slot with the top of the actuator bracket (2).

4.2 Once aligned, fully insert the pin into actuator arm until it stops.

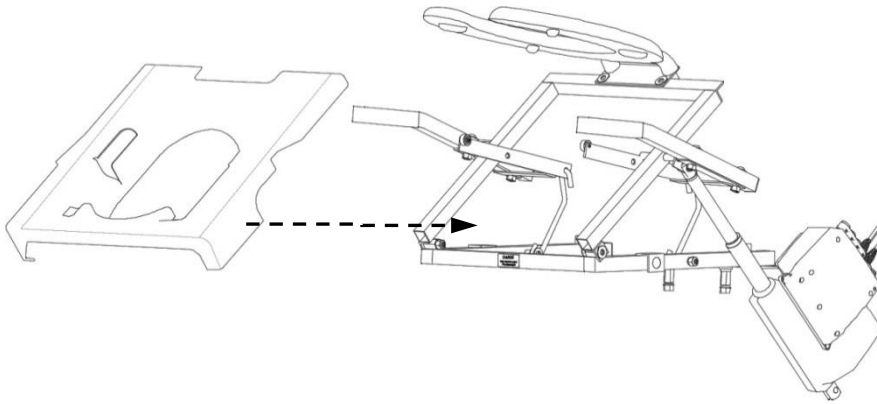


## 5. TEST TILT ACTION

5.1 Plug the 120VAC TILT cord into a properly grounded GFCI protected outlet.

- ⚠ If you are unsure if you have a properly grounded GFCI outlet, contact an electrician for assistance.
- ⚠ Do not remove the round grounding prong from any plug.

## 6. INSERT REMOVABLE PLASTIC SHIELD (SHIPS INSTALLED)

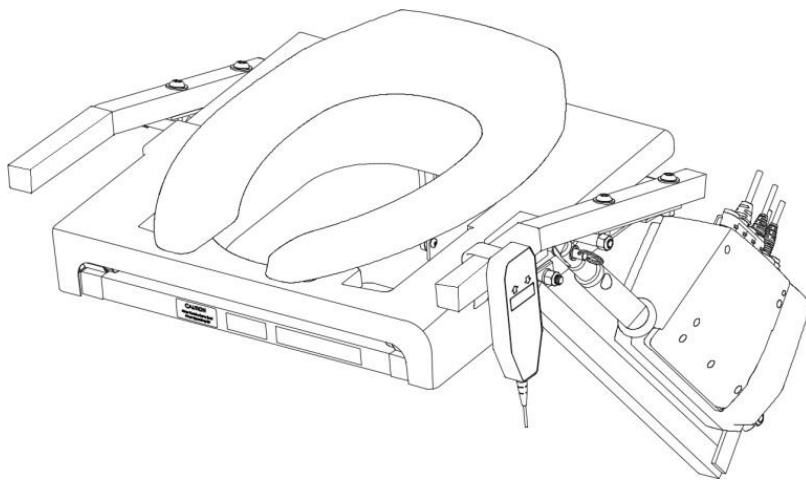


✎ Removable plastic shield ships installed.

6.1 Lift the TILT by using the push button control to raise it into the “up” position, then insert the removable plastic shield as shown.

6.2 Lower the toilet seat.

6.3 Before use, lower and raise the TILT carefully, ensuring nothing obstructs the operation of the lift.



6.4 TILT shown lowered with plastic shield in place.

## 7. HANDHELD CONTROL

7.1 Using the handheld push button control, raise and lower the TILT 3-4 times, without sitting on the seat, to learn its functionality.

7.1.1 Push and hold the “up” button to raise the lift.

7.1.2 Push and hold the “down” button to lower the lift.

7.2 For storage and convenient access, hang the handheld push button control onto TILT’s foam grip handle.





## 8. CLEANING

- 8.1 Do NOT use toilet bowl cleaner to clean the TILT or any of its components.
- 8.2 For hygiene and safety, proper cleaning and inspection of the TILT is essential.
- 8.3 Carefully remove 120V plug from the wall.
- 8.4 To access the removable plastic shield, use the push button control to raise the TILT into its “up” position.
  - 8.4.1 Remove the plastic shield by grabbing it from the front and pulling upward then forward until the shield slides off from the support rollers.
- 8.5 Clean the TILT components using a soft cloth with warm water and mild soap. Ensure all components are dry prior to re-assembly and use of the TILT.

## 9. BEFORE USE INSPECTION

- 9.1 Inspect the TILT to make sure all components are working properly. Use the handheld control to cycle the unit up and down, making sure it’s free from obstructions and working properly. For questions or concerns, please call 1-800-323-4282 or visit us at [www.alcosales.com](http://www.alcosales.com).



[info@alcosales.com](mailto:info@alcosales.com) | 1.800.323.4282 | [www.alcosales.com](http://www.alcosales.com)

