

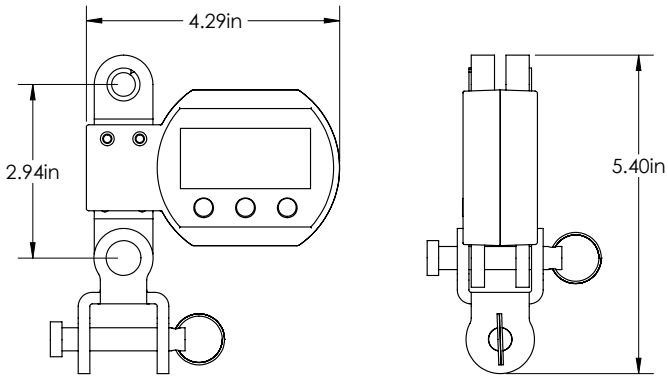
AL-82531

Digital Patient Lift Scale

The AL-82531 is an innovative digital patient lift scale developed by Bestcare that is compatible with Bestcare brand patient lifts. It can read patient weight up to 660 lb. The clear digital LCD display weight units in either lb or kg. Its compact size will not significantly change the lifting range of the patient lift.



DIMENSIONS & SPECIFICATIONS



Max. Capacity	660lbs / 300kg
Resolution	0.2lbs / 0.1kg
Safety Load	120% F.S.
Overload Warning	100% F.S. + 2lbs / +1kg
Zero Range	4% F.S.
Tare Range	100% F.S.
Battery Life	>150 hours
Operational Temperature Range	14°F ~ 104°F
Net Weight	1.5 lb

AL-82531



AL-82505 Shown with AL-82531