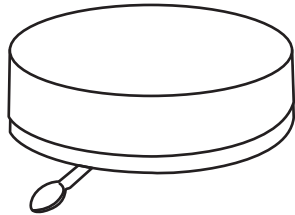


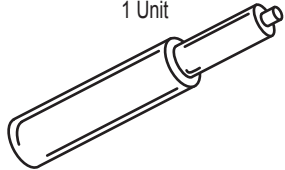
AL-81860 UtiliStool

Parts Listing

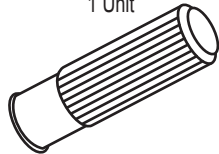
A
Stool Seat
1 Unit



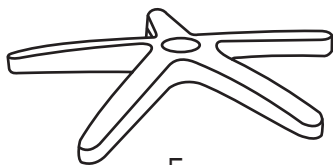
B
Gas Lift
1 Unit



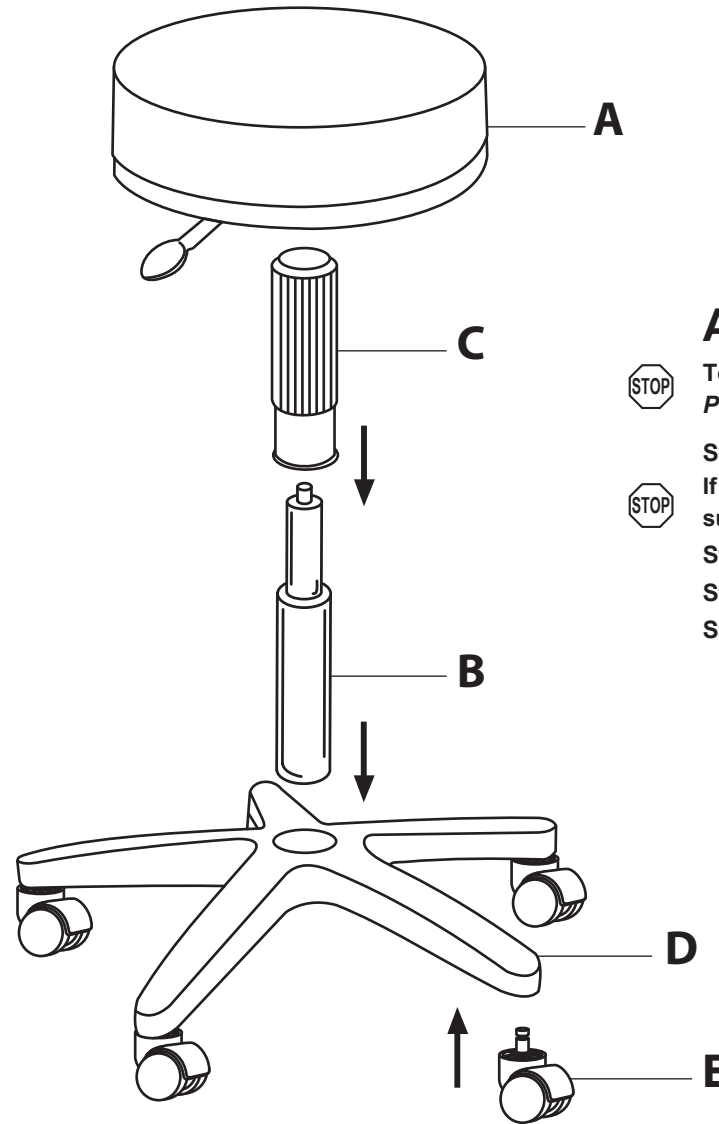
C
Gas Lift Bellows
1 Unit



D
5-Star Base
1 Unit



E
Casters
5 Units



Assembly Instructions:



Tools Needed: Philips Head Screwdriver
Please read all instructions before assembly.



Step 1: Insert Casters (E) into 5-Star Base (D).
If you are assembling a model with a Foot Ring please proceed to subsequent pages for drafting kit assembly instructions.

Step 2: Insert Gas Lift (B) into 5-Star Base (H).

Step 3: Cover Gas Lift (B) with Gas Lift Bellows (C).

Step 4: Carefully place Stool Seat (A) onto the Gas Lift (B), aligning the holes. Press down on Stool Seat (A) to secure onto 5-Star Base (D).

WEIGHT CAPACITY: 250 lbs.

CAUTION:

1. Do not use this stool as a step ladder.
2. Check for loose screws and tighten them every 6 months.

Phone: 800-323-4282
Fax: 800-950-1167

ALCO
Sales & Service Co.

info@alcosales.com
www.alcosales.com



Like us on Facebook at:
facebook.com/ALCOSalesServiceCo

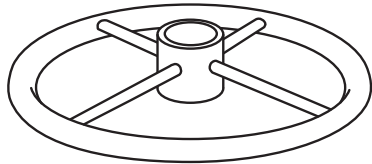


Follow us on Twitter at:
twitter.com/ALCOSales

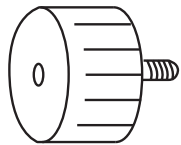
AL-81860 Drafting Kit Assembly

Parts Listing

A
Circular Foot Rest
1 Unit



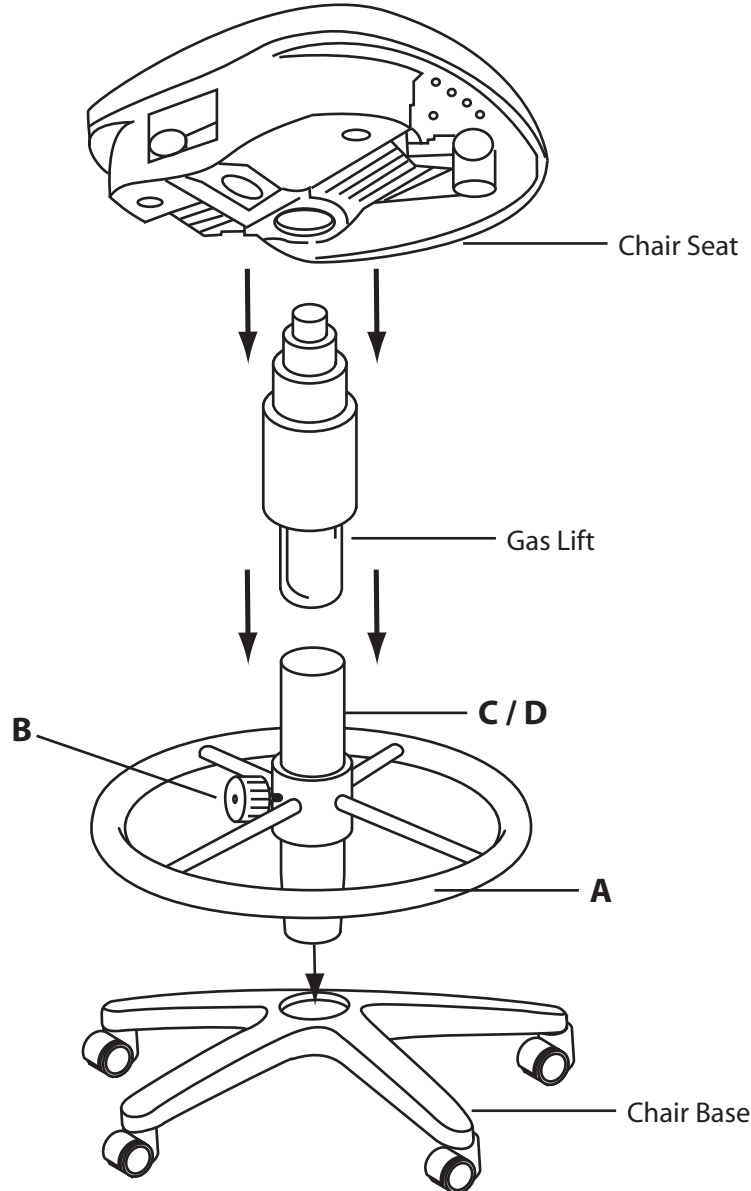
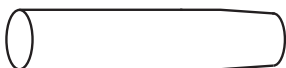
B
Tension Knob
1 Unit



C
9" Extension Tube
1 Unit



D
12" Extension Tube
1 Unit



Assembly Instructions



Please read all instructions before assembly. Prior to assembly, select only one Extension Tube for desired Height

**9" Extension Tube will change seat height from 24"-28"
12" Extension Tube will change seat height from 27-31"**

Step 1: Slide the Circular Foot Rest (A) over the smaller tapered end of your chosen Extension Tube (C / D).

Step 2: Screw in Tension Knob (B) and tighten to lock Foot Rest (A).

Step 3: Place the tapered end of Extension Tube (C / D) into your Chair Base.

Step 4: Insert bottom of Gas Lift Cylinder into the top end of the Extension Tube (C / D).

Step 5: Place the Chair Seat onto the Gas Lift by inserting top of Gas Lift into the hole in the Seat Mechanism.

Step 6: Press down firmly to secure the chair.

Note: Save the left over extension tube for future use.

Phone: 800-323-4282
Fax: 800-950-1167

ALCO
Sales & Service Co.

info@alcosales.com
www.alcosales.com



Like us on Facebook at:
facebook.com/ALCOSalesServiceCo



Follow us on Twitter at:
twitter.com/ALCOSales