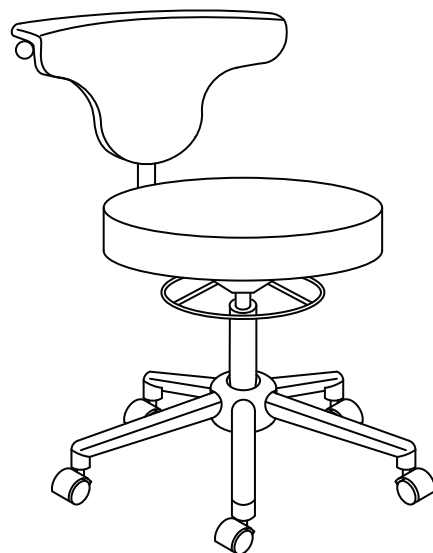
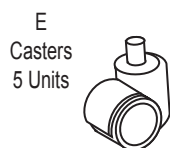
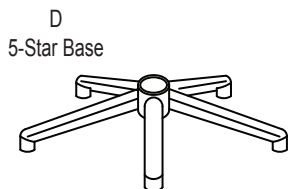
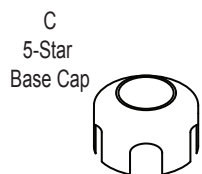
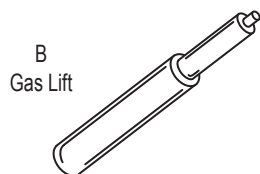
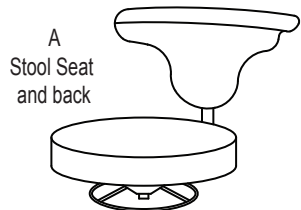


# AL-81858 Anatomy Chair

## Parts Listing



## Assembly Instructions

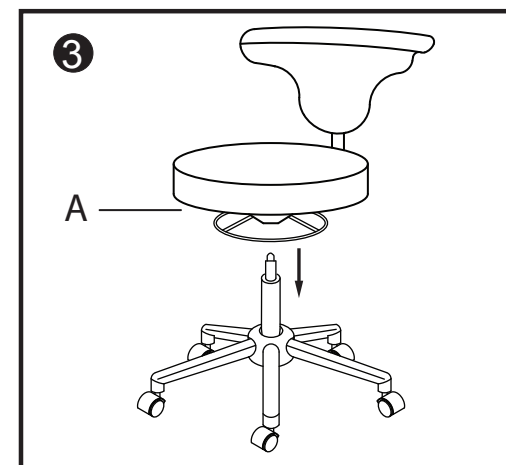
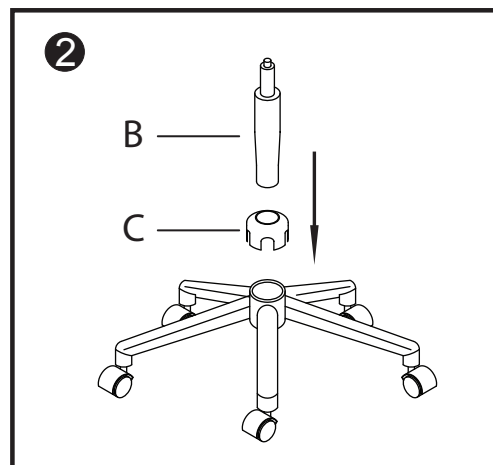
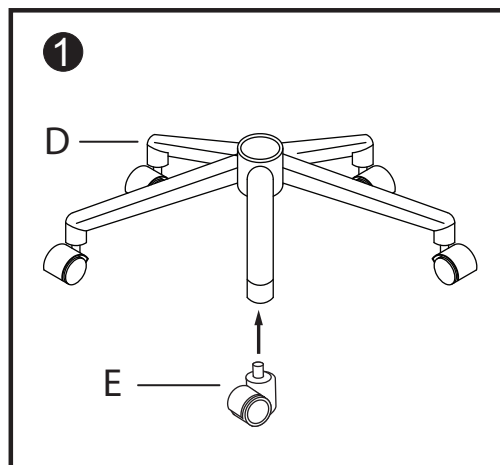


**Please read all instructions before assembly.**

**Step 1:** Insert Casters (E) into 5-Star Base (D).

**Step 2:** Place 5-Star Base Cap (C) over 5-Star Base (D), then insert Gas Lift (B) into hole in 5-Star Base (D).

**Step 3:** Place entire Stool Seat with Back (A) onto top of Gas Lift (B) and push down firmly to lock into place.



**WEIGHT CAPACITY: 250 lbs.**

### Assembly Notes:

#### CAUTION:

1. Do not use this chair as a step ladder.
2. Check for loose screws and tighten them every 6 months.

04.18.2014

Phone: 800-323-4282  
Fax: 800-950-1167

**ALCO**  
Sales & Service Co.

info@alcosales.com  
www.alcosales.com



Like us on Facebook at:  
facebook.com/ALCOSalesServiceCo



Follow us on Twitter at:  
twitter.com/ALCOSales