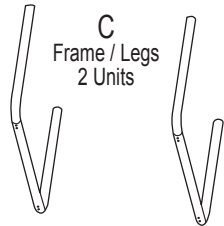
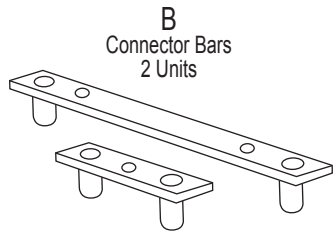
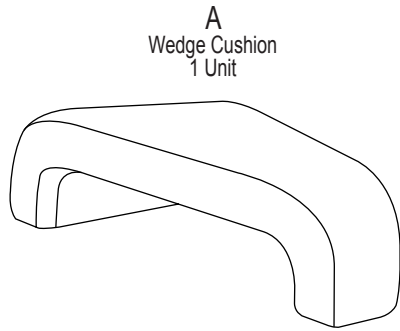


AL-81842 Wedge Seat

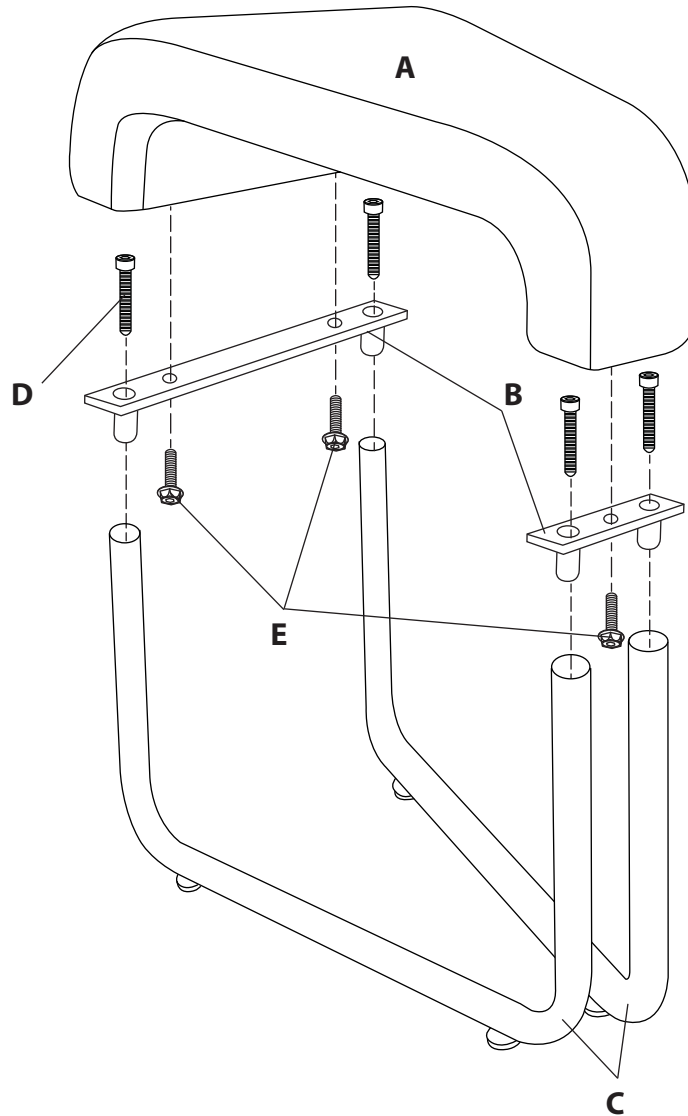
Parts Listing



D
8x60mm Screw
4 Units



E
8x25mm Screw
3 Units



WEIGHT CAPACITY: 250 lbs.

Assembly Notes:

During assembly, hand tighten screw only. When all screws are in place, you may then tighten all screws completely.

CAUTION:

1. Do not use this chair as a step ladder.
2. Check for loose screws and tighten them every 6 months.

Assembly Instructions



Tools Needed: Allen Wrench

- Step 1:** Attach the Connector Bars (B) to the Legs (C) by inserting 8x60mm Screw (D) through bars and into legs using an allen wrench.
- Step 2:** Align the holes in the Connector Bars (B) with the corresponding holes in the Wedge Cushion (A).
- Step 3:** Attach by inserting 8x25mm Screws (E) through Bars (B) and into the Wedge (A) using an allen wrench.

Phone: 800-323-4282
Fax: 800-950-1167

ALCO
Sales & Service Co.

info@alcosales.com
www.alcosales.com



Like us on Facebook at:
facebook.com/ALCOSalesServiceCo



Follow us on Twitter at:
twitter.com/ALCOSales