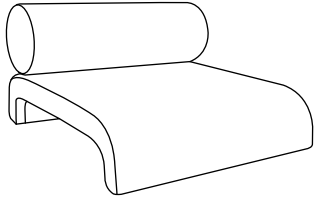


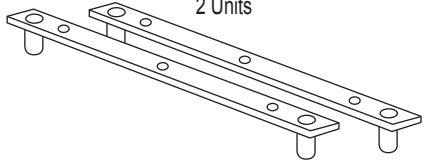
# AL-81840 Pillow-Back Seat

## Parts Listing

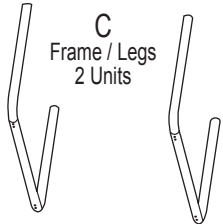
A  
Seat Cushion  
1 Unit



B  
Connector Bar  
2 Units



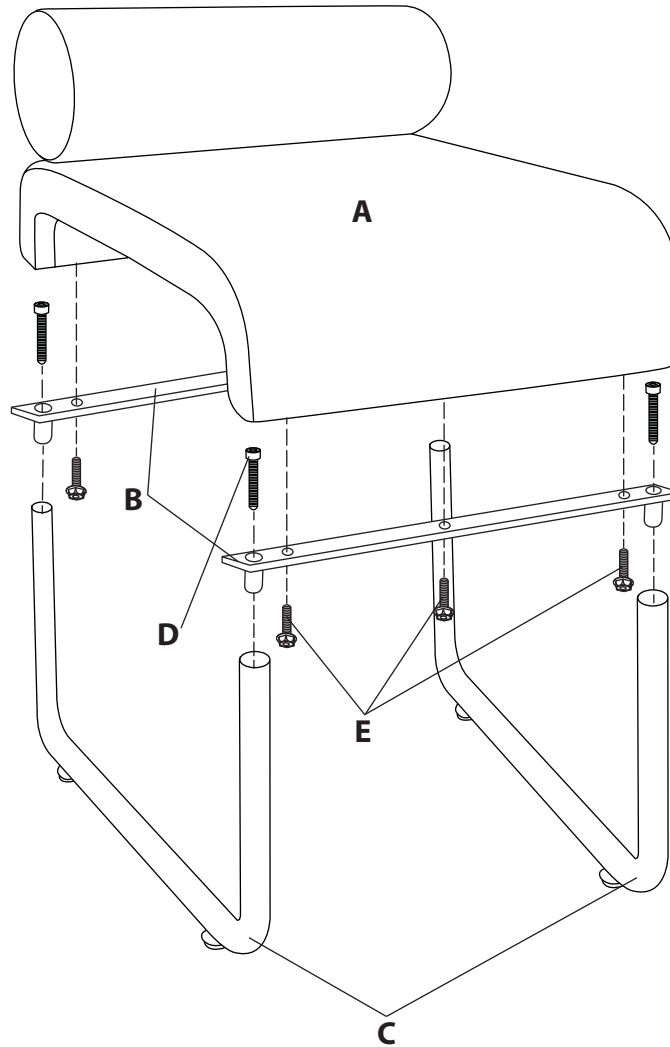
C  
Frame / Legs  
2 Units



D  
8x60mm Screw  
4 Units



E  
8x25mm Screw  
6 Units



## Assembly Instructions



**Tools Needed: Allen Wrench**

- Step 1:** Attach the Connector Bars (B) to the Legs (C) by inserting 8x60mm Screw (D) through bars and into legs using an allen wrench.
- Step 2:** Align the holes in the Connector Bars (B) with the corresponding holes in the Seat Cushion (A).
- Step 3:** Attach by inserting 8x25mm Screws (E) through Bars (B) and into the Seat (A) using an allen wrench.

**WEIGHT CAPACITY: 250 lbs.**

### Assembly Notes:

During assembly, hand tighten screw only. When all screws are in place, you may then tighten all screws completely.

### CAUTION:

1. Do not use this chair as a step ladder.
2. Check for loose screws and tighten them every 6 months.

Phone: 800-323-4282  
Fax: 800-950-1167

**ALCO**  
Sales & Service Co.

info@alcosales.com  
www.alcosales.com



Like us on Facebook at:  
facebook.com/ALCOSalesServiceCo



Follow us on Twitter at:  
twitter.com/ALCOSales