



Achieve

Stability

Safety

Independence

Peace of Mind



ALCO[®]
Sales & Service Co.



Introducing the Translock™ System

The Only System for Wheelchair Stability and Safety

Broken bones. Lacerations. Concussions. Humiliation.

Recent statistics indicate that 80% of injuries suffered by wheelchair users are caused by chair tips or patient falls (among adults 65 and older¹). Besides the physical injuries sustained in these situations, the psychological effects associated with falling are traumatic on wheelchair users, their loved ones and caregivers. While embarrassing to younger wheelchair users, falls among elderly users can be particularly serious and lead to life-threatening circumstances.

As wheelchair users strive to maintain independence and mobility, simple everyday tasks like transferring from wheelchair to bed, toilet, or shower pose injury risk to the chair user and liability to caregivers in managed healthcare settings. It is projected that by year 2020, \$54 billion in global direct and indirect expenses will be incurred for fall related injuries.²

Until now, no product has existed to specifically address the danger of falls related to wheelchair tips during transfers. It took a fall incident by a wheelchair user, his idea to prevent such incidents and the engineering and manufacturing know-how to bring a revolutionary product to the marketplace. From traumatic circumstance, the Translock™ system was conceived, and global wheelchair users are now set to experience the life-improving benefits of this product—enhanced safety, mobility and quality of life.

Improving Safety. Improving the Lives of All Wheelchair Users.

The Translock™

(AL-77731)

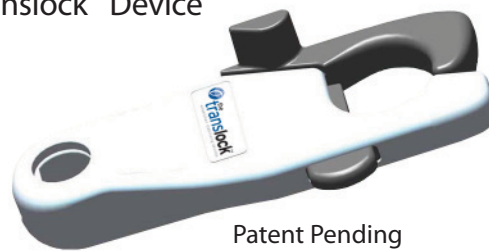
The Translock™ is an innovative device engineered to provide stability, safety, independence and peace of mind to wheelchair users and caregivers. As the primary and essential component of the system, the Translock™ is a durable, lightweight and easy-to-use latching device offering cross functionality in wheelchair user transfers. Its composition of antimicrobial resin is strong and smooth in design, with no dangerous sharp points or edges. Versatile in design, the Translock™ can be combined with the Wheelchair Attachment to remain intact with the chair, and simply engaged for connection to companion attachments (Toilet Attachment, Bed Attachment or Wall Attachment). Alternatively, the Translock™ can be left connected to the chosen attachment (Bed, or Wall). In this configuration, the chair is simply pulled aside the Translock™, and the clamp is attached to the wheelchair from that origin.

The Translock™ features an engineered “lock and dock” design with a pivotal arm clamp engaged through use of the lever button, or through contact and pressure in a hard docking situation. The chair is simply pulled aside the chosen transfer setting equipped with the companion attachments (Toilet, Bed, or Wall). The wheelchair is easily attached, securing and stabilizing the chair from tipping or moving out from under the chair user, and providing enhanced safety and confidence to both chair user and assisting caregiver.

The Translock™ device is the heart of the Translock™ system. Combined with companion attachments, the Translock™ offers wheelchair users stability and independence in daily living. In addition, managed care facilities can reduce fall incident rates, decrease liability and costs and improve safety for residents and staffing through use of this innovative product.

The Translock™ product line includes the following items:

Translock™ Device





Wheelchair Attachment

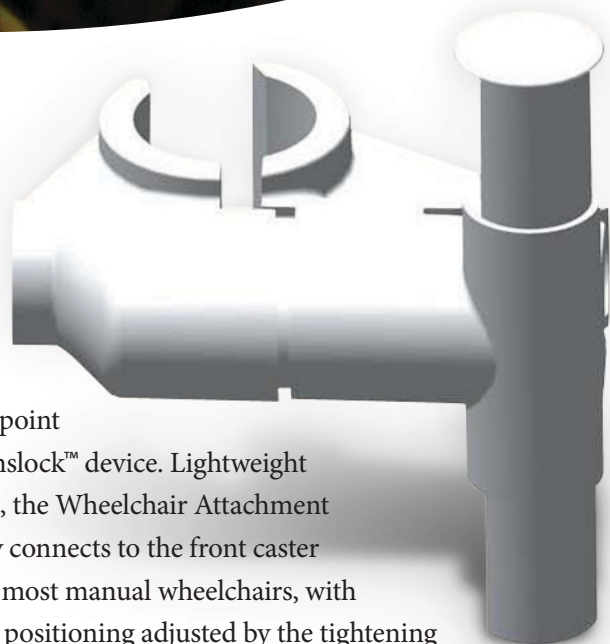
(AL-77734)

The Translock™ is versatile in design. A practical application is to have a single Translock™ device or two Translock™ devices on a wheelchair at all times. The specially-designed Wheelchair Attachment provides the



connection point

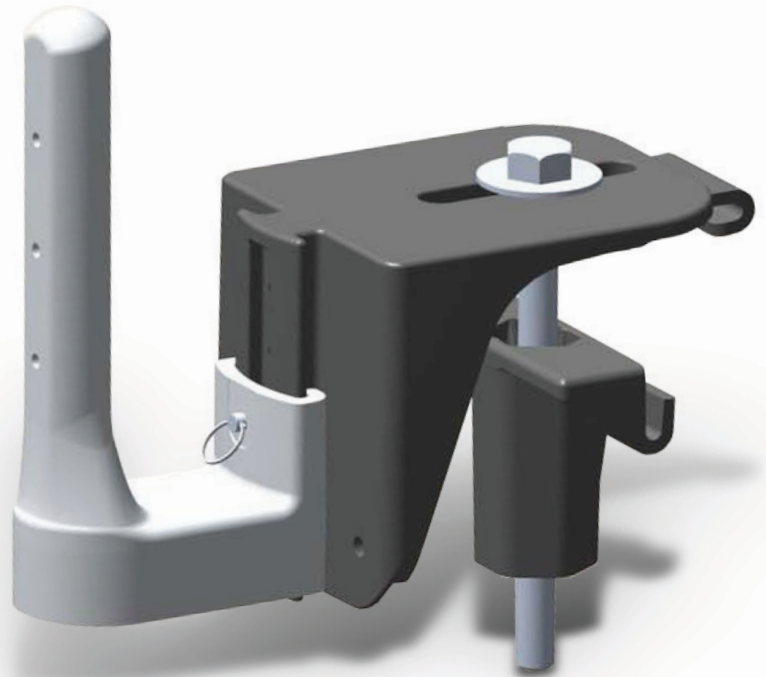
for The Translock™ device. Lightweight and durable, the Wheelchair Attachment clamp easily connects to the front caster housings of most manual wheelchairs, with tension and positioning adjusted by the tightening the hex screw. The sleeve of the Translock™ device is slid over the housing of the Wheelchair Attachment and secured. The Translock™ sleeve is designed to pivot, which allows the user to engage and swivel the Translock™ for use, or leave in place while the chair wheels are rolling. When not engaged for use, the Translock™ device(s) rests inside the width of the chair wheels, preventing door bumps and snags of any type while the chair user is in motion.



Bed Attachment

(AL-77732)

User transfers from wheelchair to bed pose particular challenges, and an environment for potential accidents. The Bed Attachment is an important piece of the Translock™ system. Comprised of metal and durable antimicrobial resin, the Bed Attachment is compatible with standard metal bed frames. It easily and securely attaches to the bed frame, creating a safe and secure transfer setting. The wheelchair is simply pulled alongside the bed, and the Translock™ clamp is latched to the Bed Attachment post. The post height can be adjusted by simply pulling the lock pin, sliding the post and re-inserting into the proper pinhole. Versatile in design, the Bed Attachment can be set up with the Translock™ mounted directly to its post. In this scenario, wheelchairs can be docked to bed by simply engaging the clamp to the front of the wheelchair's footrest or frame.



Toilet Attachment

(AL-77733)

Bathroom environments pose dangers that can cause falls and injuries to wheelchair users and caregivers. Wet slippery floors, confined spaces and hard surfaces present an ominous setting for those with limited mobility. The Toilet Attachment is an essential element of the Translock™ system. Designed to fit most standard bowls, the Toilet Attachment is made with a metal bracket that lays over the toilet rim. A padded clamp secures the attachment through tightening of a large nut with provided wrench. Composed of antimicrobial

resin and metal, the Toilet Attachment is durable, strong and sanitary in composition. A Translock™ equipped wheelchair is moved alongside the toilet, and attached to the bar of the Toilet Attachment.





Wall Attachment

(AL-77746)

A versatile component of the Translock™ system, the Wall Attachment creates a secure connection port when attached to flat surfaces such as those on European style bed frames. The T-Rail is mounted to a flat surface by 2 screws. The post and mount is slid over the T-Rail, and can be positioned by moving up or down the T-Rail. At the desired position, the post and mount is secured by inserting the lock pin into the appropriate pinhole. The Wall Attachment can be mounted to various surface types including wood, concrete and metal. Similar to companion system attachments, a Translock™ equipped wheelchair is simply pulled aside the Wall Attachment and attached to the post, creating a safe and secure transfer setting when used with chair brakes.





The Practical System for All Wheelchair Settings.

The Translock™ System is a practical and secure solution for wheelchair users wishing to remain independent and self-sufficient in residential settings. The system is also a must have for managed health facilities and caregivers seeking to reduce injuries to patients and caregivers, increase efficiency of chair transfers, reduce medical costs and liability associated with patient falls and elevate the physical and mental well-being of patients and employees.

The Translock™ system is a natural application in the following wheelchair environments:

- Residential Homes
- Hospitals
- Assisted Living Facilities
- Nursing Homes
- Government Healthcare Clinics
- Hotels and the Hospitality Industry

Enhanced Safety, Independence and Peace of Mind

The Translock™ is the only wheelchair stabilization system of its kind available in today's marketplace. Its concept and design is set to transform the lives of wheelchair users worldwide. Contact a select retailer near you to obtain the Translock™ system. Achieve stability, safety and peace of mind with this revolutionary, new product.

¹ Xiang H. Chany ADM., Smith G.A. Wheelchair related injuries treated in US emergency departments. BMJ Publishing Group, 2006.

² By 2020, the annual direct and indirect cost of fall injuries is expected to reach 54.9 billion (in 2007 dollars). (Englander F, Hodson TJ, Terregrossa RA. Economic dimensions of slip and fall injuries. Journal of Forensic Science 1996; 41(5): 733 -46.trial. The Gerontologist 1994; 34(1): 16 - 23).

Phone: 800-323-4282

Fax: 800-950-1167



Like us on Facebook at:
www.facebook.com/ALCOSalesServiceCo



Follow us on Twitter at:
www.twitter.com/ALCOSales

info@alcosales.com

www.alcosales.com