

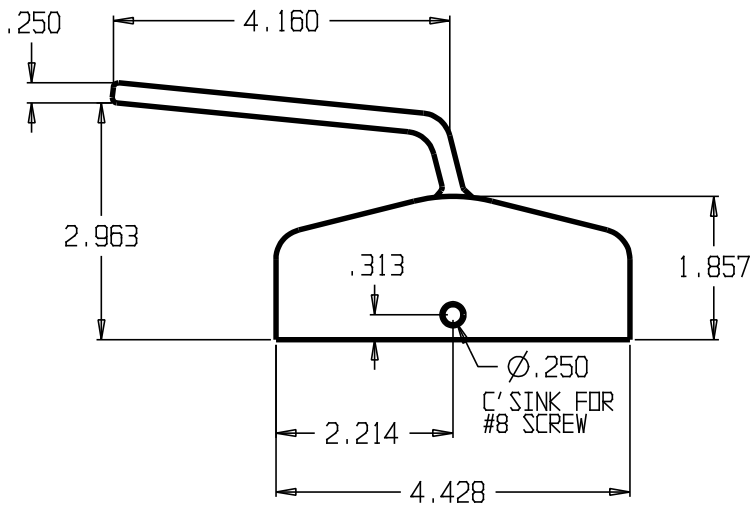
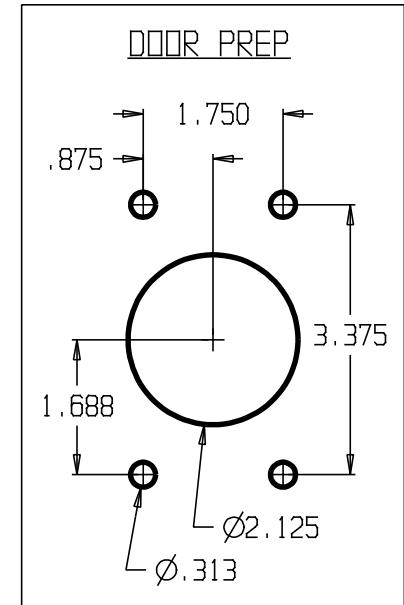
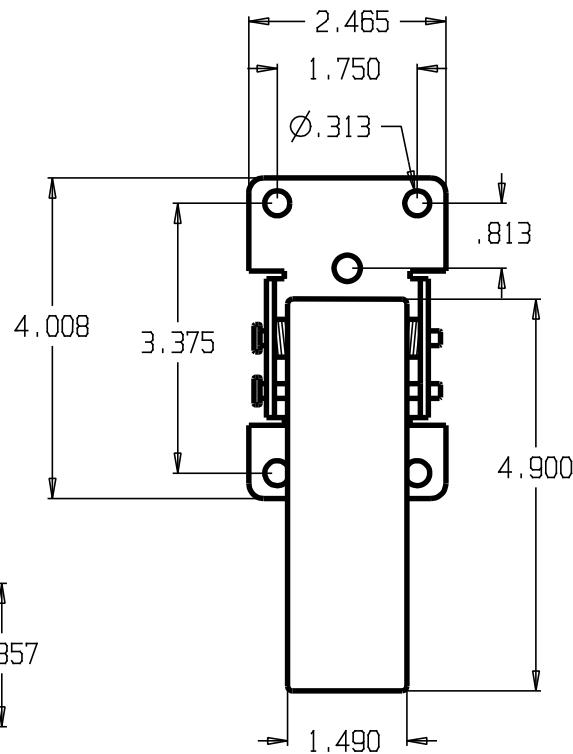
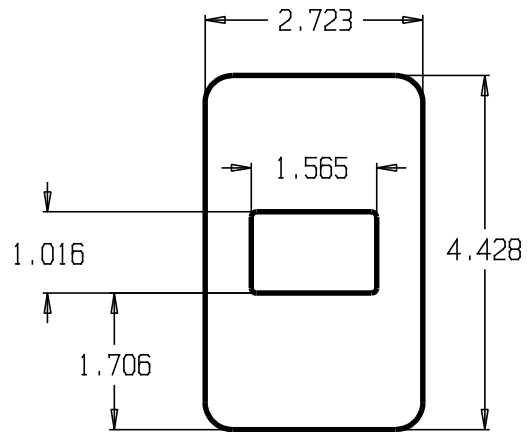
AL-67250SS

Product Specifications

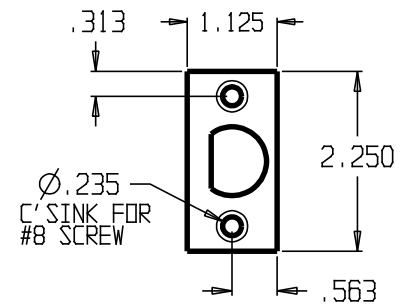


Finishes	Stainless Steel
Product Type	Hospital Latch
Shelf Pack	1
Features	<ul style="list-style-type: none">• UL Listed• Works with 1-3/4" doors• Lever projection 3-1/4"• Non Handed• Push/Pull latch can be mounted with the handles up• down or horizontal without any modification
Material	Brass
Size	2-3/4" x 4-1/2"

REVISIONS				
ZONE	REV	FINISHES:	DATE	APPROVED
		626		



*5" BACKSET



ALCO
Sales & Service Co.

DESIGNER	SCALE
APPROVED	RELEASE DATE

SIZE A	DATE: 3/11/04	PART NO. AL-67250SS	REV
SCALE	RELEASE DATE	WEIGHT	SHEET