

FEATURES

- SOLID STATE CIRCUITRY
- MODULAR DESIGN
- QUALITY SPEAKER-MICROPHONE
- DURABLE FACEPLATE
- MINIMUM SYSTEM WIRING



GENERAL DESCRIPTION

The ALCO model 65970 provides a means of placing a call and completes an audio path for two way communication to the nurses station. This station should be installed in an area to accommodate two patients. Separate call assurance lamps are provided for each patient. All of the solid state call originating circuitry is located on a three gang plate without any sub-assemblies.

ENGINEERS' SPECIFICATIONS

The ALCO model 65970 is a dual patient station having all components mounted on a three gang plate.

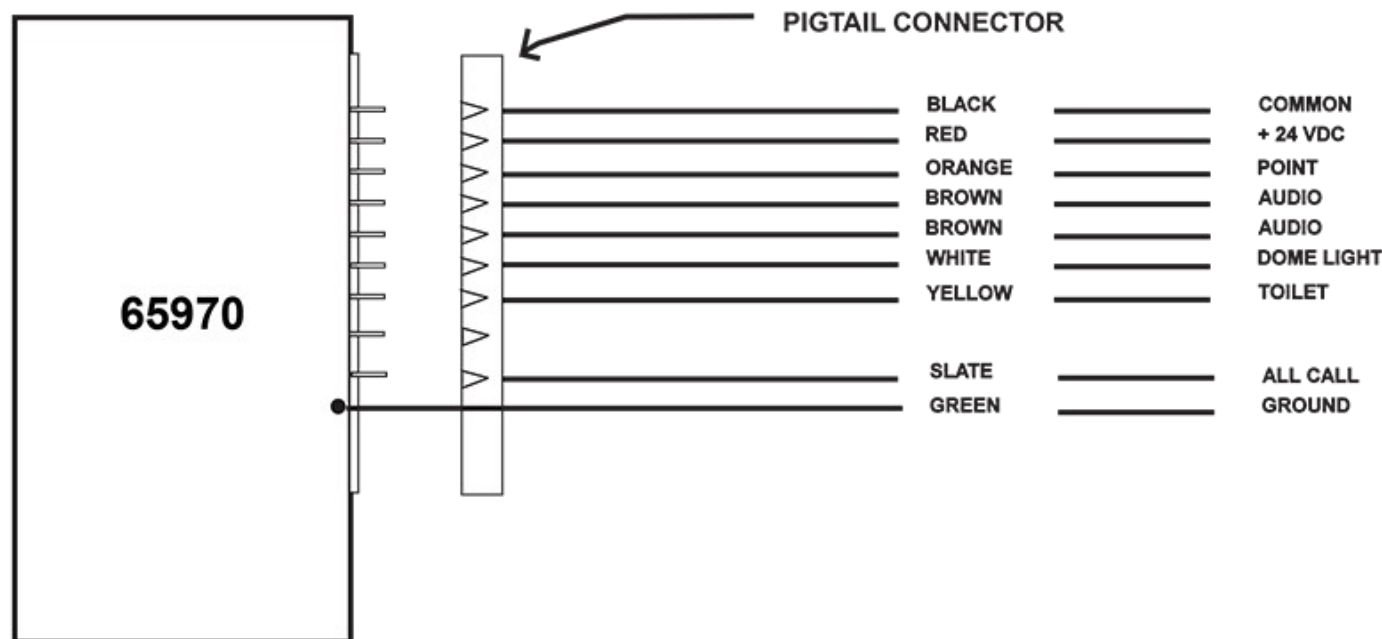
- (1) The equipment described shall be manufactured and assembled entirely in the United States of America.
- (2) The station shall be solid state transistor circuitry.
- (3) Each station shall provide a 3 inch square 45 ohm 1.5 watt speaker with a frequency response from 300 hz - 10khz. The magnet shall be a minimum of .5 oz. Alinco type with a Mylar speaker cone.
- (4) When a call is placed a white call assurance lamp shall illuminate at the station. The lamp shall continue to glow until reset either at the station or at the nurses station.
- (5) All lamps shall be incandescent type with a rated life expectancy of 7,000 hrs. and should be accessible from the front without removing the station or requiring any special tools for replacement.
- (6) When a call is answered or monitored a red lamp shall illuminate indicating that any activity in the room can be heard on the master at the nurses station.
- (7) Two 1/4 inch phone jack receptacles shall be provided to accommodate any type of normally open call cord devices. Each call cord device shall have its own circuitry to place a call but share a common audio path.
- (8) Removal of a call cord either intentionally or by accident shall place a normal call that cannot be reset until both cords are secured in the station. Then the reset switch must be pressed to cancel the call.
- (9) A normal call be resetable at the station by momentarily pressing the black reset switch located on the faceplate of each station.
- (10) All components must be completely isolated from but mounted to a three gang faceplate requiring only four 6/32 machine screw for mounting.
- (11) The location of the station shall be as indicated on the prints _____ inches above the finished floor.
- (12) The station shall be Underwriters' Laboratory, Inc. listed (U.L. 1069).

ASSOCIATED EQUIPMENT

Included

- 1 Pigtail Connector
- 2 Dummy Plug
- 4 1-1/4 inch 6/32 countersunk
 phillips head machine screw.

WIRING DIAGRAM



USABLE BACK BOXES FOR NEW CONSTRUCTION

- Steel City # 3G-1/2 & 3/4 with 3GC Plaster Ring.
- Steel City # H3BD-3/4 & 1 with 3GC Plaster Ring.
- Steel City # GW-325-C or GW-335-C.