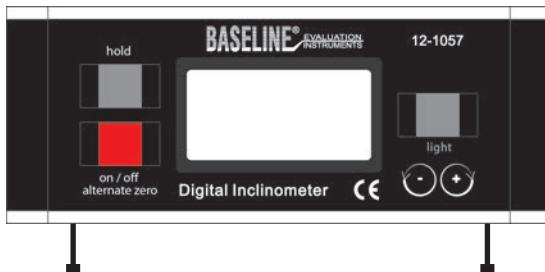


**BASELINE**<sup>®</sup> **EVALUATION  
INSTRUMENTS**

**DIGITAL INCLINOMETER**

**AL-63368**

Digital Inclinator Operating Instructions



**EASY TO USE**

Range-of-motion can be read directly after the joint has been taken through its range. Place inclinometer near the joint to be measured; set the **“alternate zero”**; move joint through its range; press the **“hold”** button. Read range-of-motion.

## Operating Instructions:

**NOTE:** If the unit has been dropped, follow calibration and set-up instructions on following page.

### on / off / alternate zero button

Press once to turn the LCD display screen on. Press the button again to toggle the screen measurement between absolute zero and alternate (relative) zero mode. **REF** icon displays when unit is operating in alternate zero mode. Long press to turn off the LCD.

### hold button

If you want to lock the reading while performing a measurement, simply press the **hold** button once the measurement settles. The angle reading will freeze and you can record the reading. An **H** icon will appear on the LCD. You can cancel this function by pressing the **hold** button a second time. You will now be viewing live angle measurements. **Note:** changing from relative to absolute zero mode cannot be done when the **H** icon is visible.

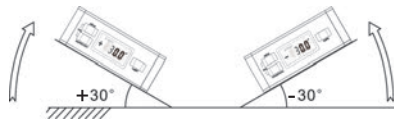
### light button

Press once to open / close the back light.

### absolute zero and alternate (relative) zero

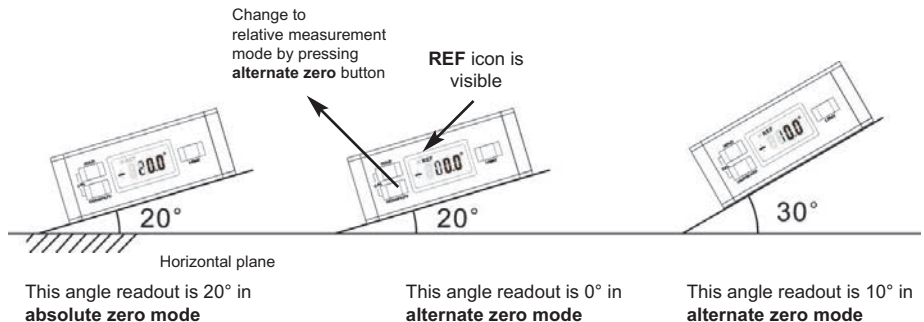
**absolute zero mode:** when in absolute zero mode, there is no **REF** icon on LCD. If **REF** icon is present, short press **on / off / alternate zero** button to enter absolute zero mode. LCD displays angle of absolute horizontal level. If unit is rotated clockwise from absolute zero a + sign is present in front of values. If unit is rotated counterclockwise from absolute zero a - sign is present.

For absolute (horizontal zero) measurement, put the unit near the joint needed to be measured. The inclinometer shows the angle between the inclinometer plane and the horizontal plane. Allow the reading to settle before noting the angle.

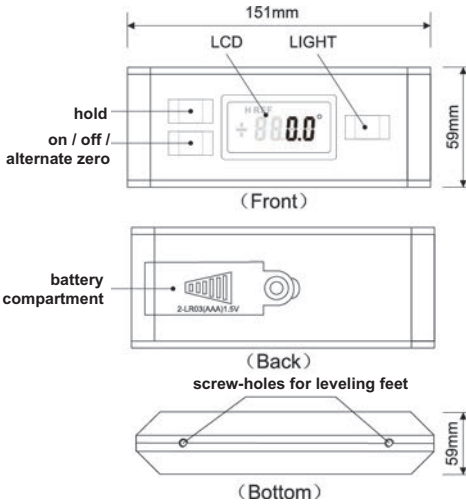


**alternate (relative) zero mode:** Setting an alternate reference point allows you to set any angle to ZERO. This new ZERO is now a reference point from which to take measurements. For instance, you may want a surface that is actually 25° off absolute zero (horizontal) displayed as ZERO so you can measure all other angles relative to that benchmark. See the example below for Relative angle measurement:

1. If the unit is in absolute zero mode, the **REF** icon will not appear on the LCD. Put the inclinometer on the surface that is actually 20° off the horizontal plane. The unit reads 20°.
2. Press the **on / off / alternate zero** button to toggle to alternate zero mode (the icon **REF** is now visible and the angle readout is now ZERO).
3. Put the inclinometer on the surface that is actually 30° off the horizontal. The "10.0" shown on the display is relative to the 20° off the horizontal plane.



## Appearance and technical data



measuring range	0~360°
resolution	0.1°
accuracy	+/- 0.5°
power	DC3V (AAA x 2)
battery life	100 hours continuous working without back-light
working temperature	-10°C to 50°C
working humidity	<85%
transportation and storage temperature	-20°C to 70°C
IP level	IP65
low battery indicator	battery sign flashing when voltage below 2.2V

## LCD screen icons

- Replace batteries when the Battery Power icon is flashing. Only flashing when voltage below 2.2V.
- Indicates that the inclinometer is measuring in alternate zero (relative) mode.
- This icon appears on the screen when the HOLD function is activated.
- 1- Indicates that the inclinometer is calibrated for one direction.
- 2- Indicates that the inclinometer is calibrated for another direction

## Calibration

The digital inclinometer has been pre-calibrated at the factory. The product should only be recalibrated if it has been dropped. (see steps below)

- Place the unit on a flat horizontal surface, press **hold** button and **on / off / alternate zero** button at the same time. The calibration mode is activated and a "-1" will be displayed.
- Press **on / off / alternate zero** button again, "-1-" will flash briefly. Do not move unit until "-2-" displays.
- Rotate unit 180 degrees in the same location and press **on / off / alternate zero** button, "-2-" will flash briefly. Do not move until the unit has completed the calibration and reset the display to the current level.

