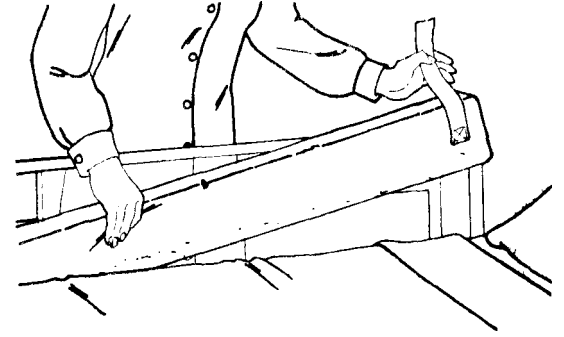


Gap-Guard

AL #	Description	Size	Unit
□AL-62419	Gap-Guard , Full-Length Side Rail	72"	Each
□AL-62420	Gap-Guard , Half-Length Side Rail	36"	Pair

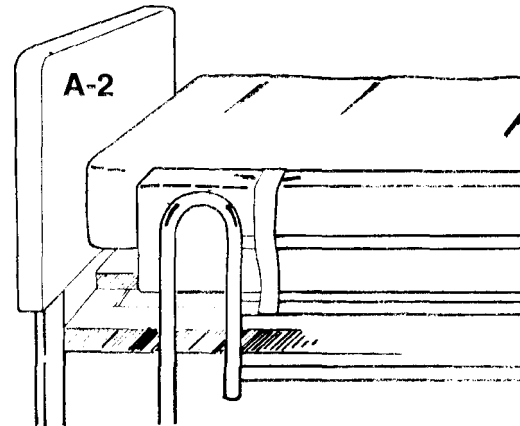
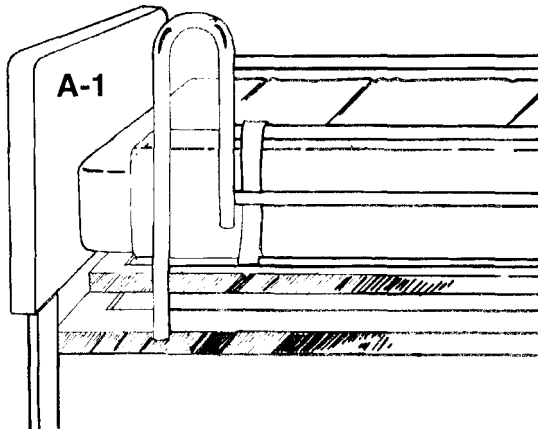


Purpose

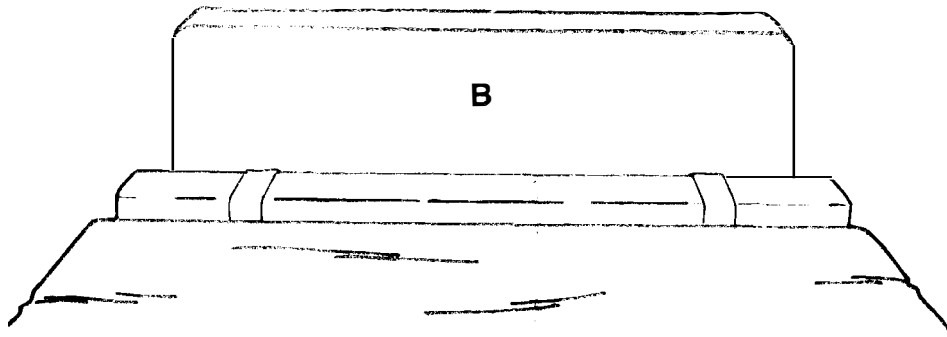
These wedge-shaped bolsters are designed to fill the gap between the mattress and side rail to prevent entrapment of arms and legs. Available for full-length rails (72 inches) and half-length rails (36 inches). Gap-Guard™ bolsters should be used when rails are in the raised or lowered position. The half-length bolsters may also be used to fill the gaps between the mattress and the headboard and footboard.

Easy to Use

1. With rail in raised or lowered position, place the Gap-Guard™ between the side rail and mattress (see illustration at top of sheet), narrow end facing down. Position bolster so that it is level with top of mattress
2. Place the Velcro® strap around the side rail bars and secure the “hook” material to the “loop” material. You may place the Velcro® strap around one or several bars of the side rail. (Illustrations A-1 or A-2.)



3. The 36-inch model may be used to fill the gaps between the mattress and headboard or footboard. (Illustration B.)



Easy Care

Gap-Guard™ bolsters are covered with liquid-proof, durable, wipe-clean nylon. Clean with a spray-and-wipe cleaner and damp cloth. Do not use a cleanser that contains bleach.