

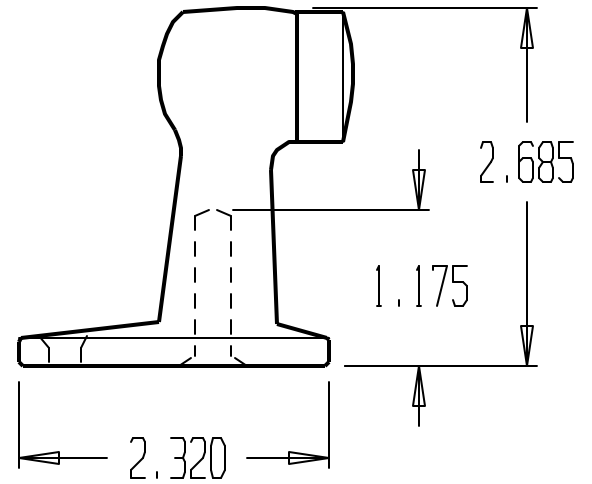
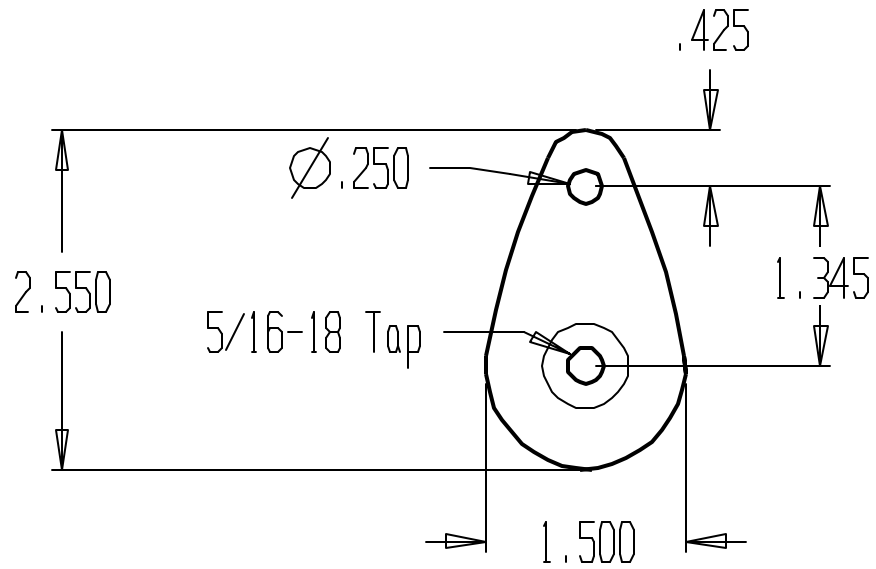
## AL-60720 | AL-60721

### Product Specifications



Finishes	AL-60720 Polished Brass; AL-60721 Satin Chrome
Type of Stop	Floor Stop
ANSI	L12131
Shelf Pack	10
Material	Cast Brass
Fasteners	1 ea. 5/16-18 x 2-5/8" MS Stud, 1 ea. 5/16-18 x 2-5/8" SMS Stud, 1 ea. #10 x 1" SMS, 1 ea. Plastic Anchor, 1 ea. Lead Expansion Shield
Height	2-3/4"
Base	2-1/2" x 1-1/2"

REVISIONS			
ZONE	REV	FINISHES :	DATE
		605,613,619,620,626	
			APPROVED



**ALCO**  
Sales & Service Co.

DESIGNER	
APPROVED	

SIZE A	DATE: 3/15/04	PART NO. AL-60720, 60721	REV
SCALE	RELEASE DATE	WEIGHT	SHEET