

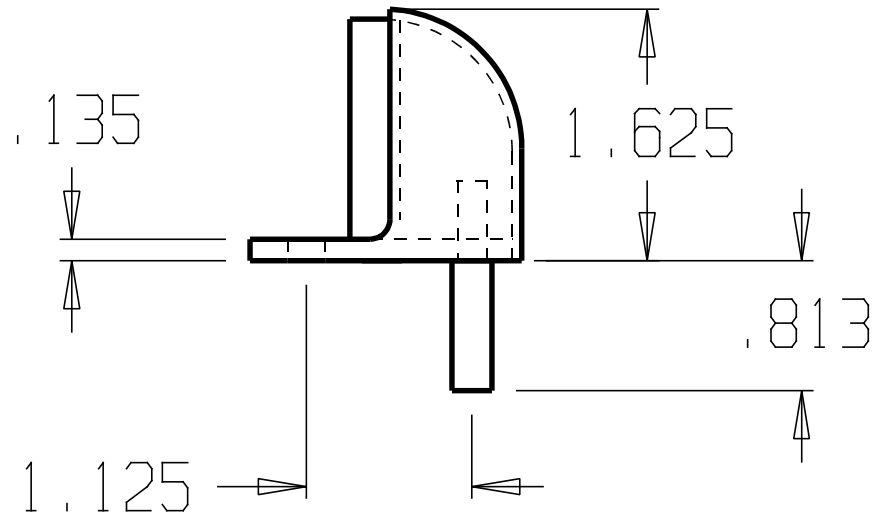
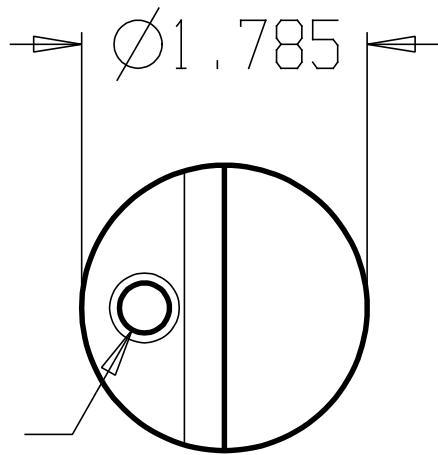
AL-60714 | AL-60715

Product Specifications



Finishes	AL-60714 Polished Brass; AL-60715 Satin Chrome
Type of Stop	Floor Stop
Shelf Pack	10
Material	Cast Brass
Fasteners	1 ea. 1/4-20 x 1-1/4" MS, 1-3/4" 1/4" x 1-1/4" SMS, 1 ea. Plastic Anchor and 1 ea. Lead Expansion Shield
Height	1 5/8"
Base	1/4" x 1 3/4"

REVISIONS				
ZONE	REV	FINISHES :	DATE	APPROVED



ALCO
Sales & Service Co.

DESIGNER
APPROVED

SIZE A	DATE: 10/7/05	PART NO. AL-60714, 60715	REV
SCALE	RELEASE DATE	WEIGHT	SHEET