

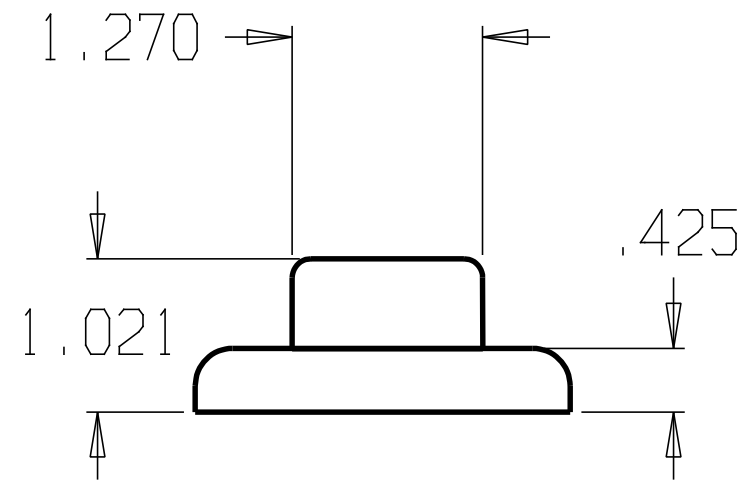
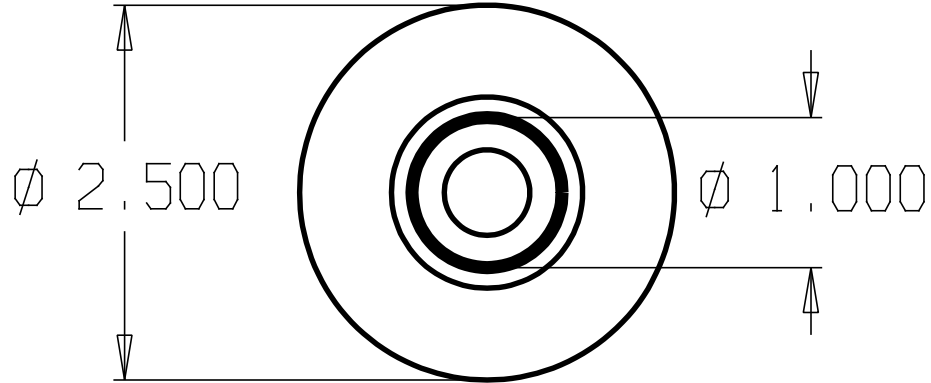
AL-60708 | AL-60709

Product Specifications



Finishes	AL-60708 Polished Brass; AL-60709 Satin Chrome
Type of Stop	Wall Bumper
ANSI	L22251, L52251
Shelf Pack	50
Material	Wrought
Fasteners	1 ea. #8 x 1-1/4" SMS, 1 ea. Plastic Anchor & Plastic Drywall Anchor
Projection	1"
Diameter	2-1/2"

REVISIONS				
ZONE	REV	FINISHES: 605, 606, 612, 613, 619, 620, 625, 626, 630	DATE	APPROVED



ALCO
Sales & Service Co.

DESIGNER	
APPROVED	

SIZE A	DATE: 2/19/04	PART NO. AL-60708, 60709	REV
SCALE	RELEASE DATE	WEIGHT	SHEET