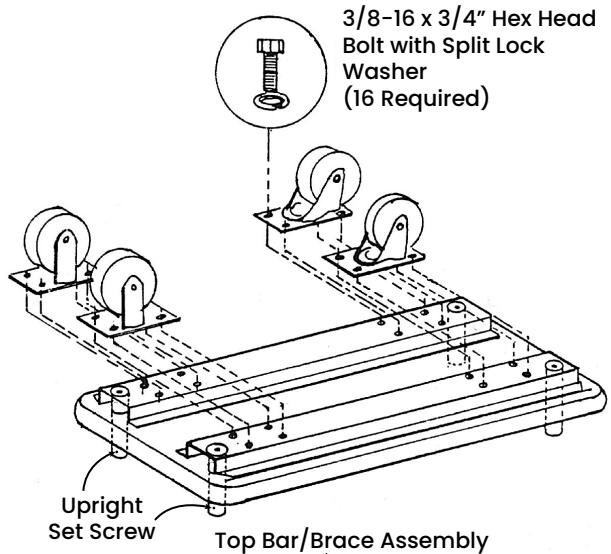


## THE TRAVELERS SERIES™ BELLMAN'S CART

### AL-55123

#### Caster Installation Instructions:

- 1) Unpack carpeted deck and turn upside down on work surface.
- 2) Unpack casters and place on undercarriage, locating the two (2) rigid wheels on one side and the two (2) swivel wheels on the opposite end.
- 3) Bolt each wheel with 3/8-16 x 3/4" L hex head machine bolt and split-lock washer (4 each).



#### Upright Assembly Instructions:

- 1) Unscrew the upright set screw from each of the Lower supporting tubes on the deck.
- 2) Turn deck to its upright position and firmly insert each upright assembly into lower Supporting tubes at each end of deck. Tighten the lower screw set. (**Tip:** Tapping upright into lower tubes with Mallet or block of wood may help.)
- 3) Install mounting screws 1/4-20 x 2-1/2" into top Bar/brace assembly (2 each).

