

# AL-45041L TILT TOP OVER BED TABLE ASSEMBLY AND OPERATING INSTRUCTIONS



Fig1

## PARTS LIST

1	Release Handle (101044)	8	Bolt Plate (101023)
2	15 x 30 Table Top	9	3/8 -16 x 2 bolts (BT01)
3	Tilt Lock Lever (093025)	10	Casters (CA02)
4	3/8 -16 x 2 ¼ bolt (BT05)	11	Top Bracket (093008)
5	3/8-16 Lock Nut (N06)	12	Black Shipping Screw
6	Column Assembly (95001)	13	Zinc Screw (do not remove) (SC12)
7	Base with Caster Plugs		

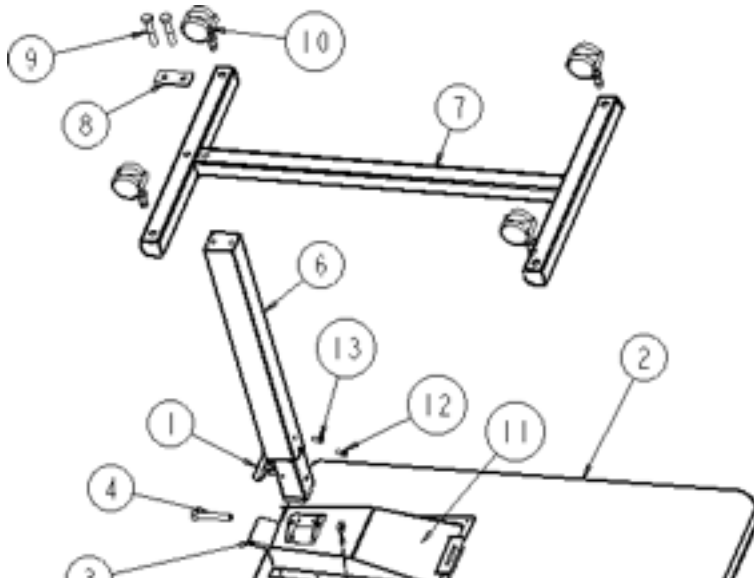
## TOOLS REQUIRED

9/16" WRENCHES

PHILIPS SCREW DRIVER

California Prop 65  
Warning: The items and packaging in this shipment contain chemicals known to the state of California to cause cancer, birth defects or other reproductive harm.  
\*This product meets or exceeds all federal safety and environmental regulations.

## ASSEMBLY INSTRUCTIONS



- 1 Lay tabletop Assembly (#2 & #11) on workbench or floor with top bracket assembly facing up, as shown in Fig. 2.
- 2 Install column assembly into top bracket as shown with release handle facing away from table top edge (fig. 2). Insert 2 ¼" bolt (#4) through top bracket and column assemblies. Fasten with locknut (#5)
- 3 Lay the base flat with holes facing up and insert a caster (#10) into each hole. (4 casters total)
- 4 Place the two bolts (#9) into the bolt plate (#8) and place through the base (#7). Hold base steady while hand tightening bolts (#9) into column (#6).
- 5 Align the base and top assembly by laying the table on its side, resting on the edge of the top and the black caster plugs. Tighten the bolts (#9) with a 9/16" wrench.

# AL-45041L TILT TOP OVER BED TABLE ASSEMBLY AND OPERATING INSTRUCTIONS

- 2 -

- 6 Stand the table up on its casters.
- 7 Remove black lock screw in the column and discard. Replace with the extra zinc plated screw shipped with unit, using a Phillips screwdriver.

## OPERATING INSTRUCTIONS

- 1 Pull the release handle (#1) up to raise and lower the tabletop.
- 2 To tilt the tabletop in either direction, squeeze the tilt lock lever (#3) up and rotate the tabletop. Release Tilt Lever to lock the top into place.

**Rev.B 03/03/16**

Fig. 2

