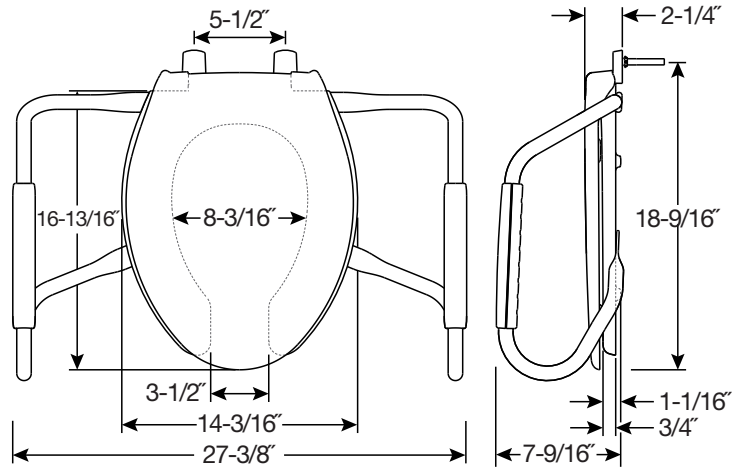
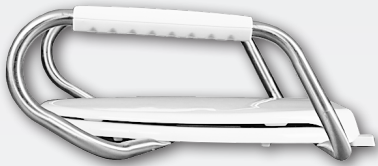


AL-40545

MEDIC-AID[®] HEAVY-DUTY
PLASTIC TOILET SEAT



FEATURES:

- **STA-TITE[®] Commercial Fastening System[™]**
Eliminates callbacks for loosened seats
- **DuraGuard[®] Antimicrobial ***
Built-In Seat Protection[™]
- **Medic-Aid[®] Side Arms**
ADA tested stainless steel safety side arms with contoured plastic grips

** DuraGuard Antimicrobial does not protect users against bacteria, viruses, or other disease organisms. Always clean and wash this product thoroughly before and after each use.*

SPECIFICATIONS:

- Size:** Elongated
- Material:** Plastic
- Style:** Open Front with Cover
- Ring Bumpers:** Four
- Hinges:** Plastic with Non-Corroding 300 Series Stainless Steel Posts and Pintles
- Hardware:** STA-TITE[®] Commercial Fastening System[™]
- Side Arms Weight Capacity:** ADA tested to 250 lbs

Codes & Standards:



Complies with
IAPMO/ANSI Z124.5
Performance Standards
Heavy-Duty Commercial



Proudly Made in the USA

Eco-Friendly

