

2" LIFT HINGES  
AND BUMPERS



STA-TITE® COMMERCIAL  
FASTENING SYSTEM™

AL #

40541

COLOR #

**DESCRIPTION :**

Open front less cover, round, heavy-duty, injection molded solid plastic toilet seat. Features two large 2" lift bumpers, check hinges with non-corrosive 300 Series stainless steel posts and pintles and STA-TITE® Commercial Fastening System™. Seat contains DuraGuard® Antimicrobial Built-In Seat Protection™. This seat complies with IAPMO/ANSI Z124.5-2013 Plastic Toilet Seats as a class Commercial Heavy Duty.

\* DuraGuard® Antimicrobial does not protect users against bacteria, viruses, or other disease organisms. Always clean and wash this product thoroughly before and after each use.

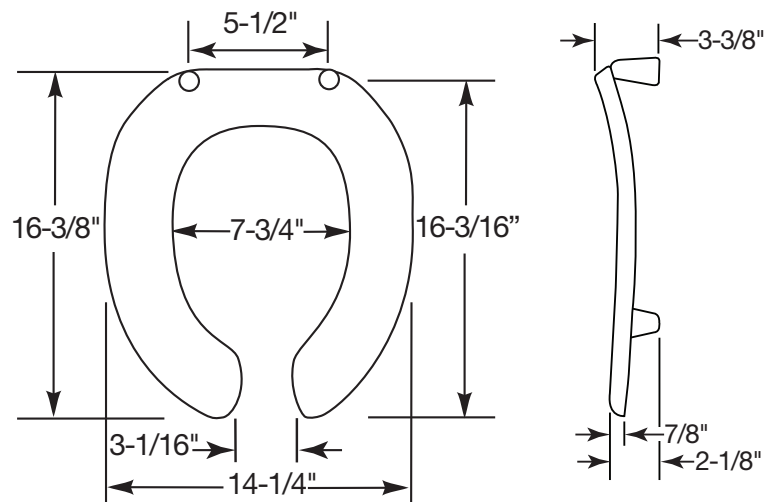
**SPECIFICATIONS :**

Size: Round  
Material: Plastic  
Style: Open Front less Cover  
Bumpers: Two  
Hinges: Plastic with 300 Series Stainless Steel Posts and Pintles  
Fastening System: STA-TITE® Commercial Fastening System™

**FEATURES :**

STA-TITE® Commercial Fastening System™  
DuraGuard® Antimicrobial Built-In Seat Protection™  
2" Lift Hinges and Bumpers  
Non-Corrosive 300 Series Stainless Steel Posts and Pintles

**DIMENSIONS :**



Proudly Made in the USA

Phone: 800-323-4282  
Fax: 800-950-1167

Like us on Facebook at:  
[facebook.com/ALCOSalesServiceCo](https://facebook.com/ALCOSalesServiceCo)

Follow us on Twitter at:  
[twitter.com/ALCOSales](https://twitter.com/ALCOSales)

[info@alcosales.com](mailto:info@alcosales.com)  
[www.alcosales.com](http://www.alcosales.com)