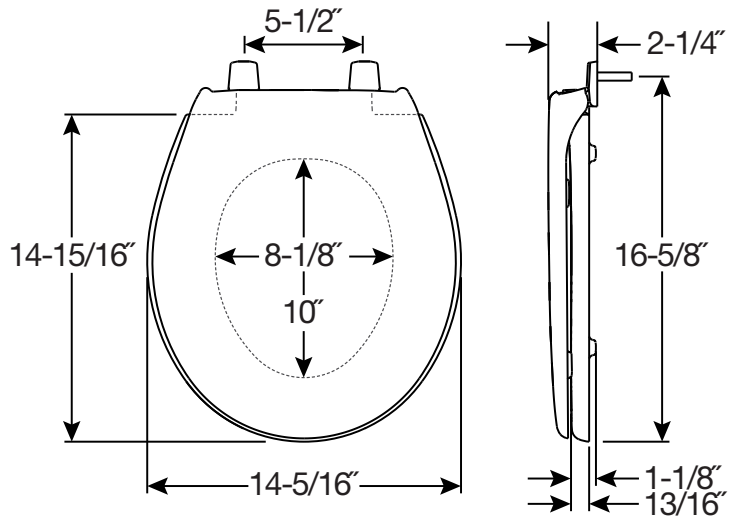


### FEATURES:

- **Top-Tite<sup>®</sup> Hinges**  
Seat installs easily from above the bowl



### SPECIFICATIONS:

**Size:** Round

**Material:** Plastic

**Style:** Closed Front with Cover

**Ring Bumpers:** Four

**Hinges:** Plastic

**Hardware:** Non-Corroding Hex-Tite<sup>™</sup> Bolts and Wing Nuts

**Codes & Standards:**



Complies with  
IAPMO/ANSI Z124.5  
Performance Standards  
Heavy-Duty Commercial



Proudly Made in the USA

Eco-Friendly

