

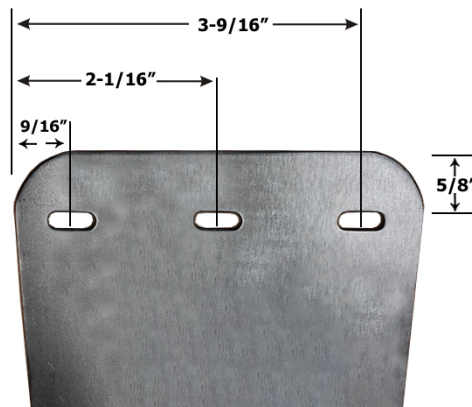
### Antimicrobial Dispenser Stand



Backplate A Mounting Dimensions



Backplate C Mounting Dimensions



#### Features:

- ◆ Antimicrobial powder coating in grey
- ◆ Easy assembly
- ◆ Laser cut notched slotting system to accommodate most dispensers

#### Specifications:

- ◆ Ships efficiently knocked-down
- ◆ 15-3/4" x 15-3/4" base
- ◆ Backplate A: 8" x 5", accommodates dispensers that are 8"H
- ◆ Backplate C: 10" x 4.25", accommodates dispensers that are 10"H

AL-85833