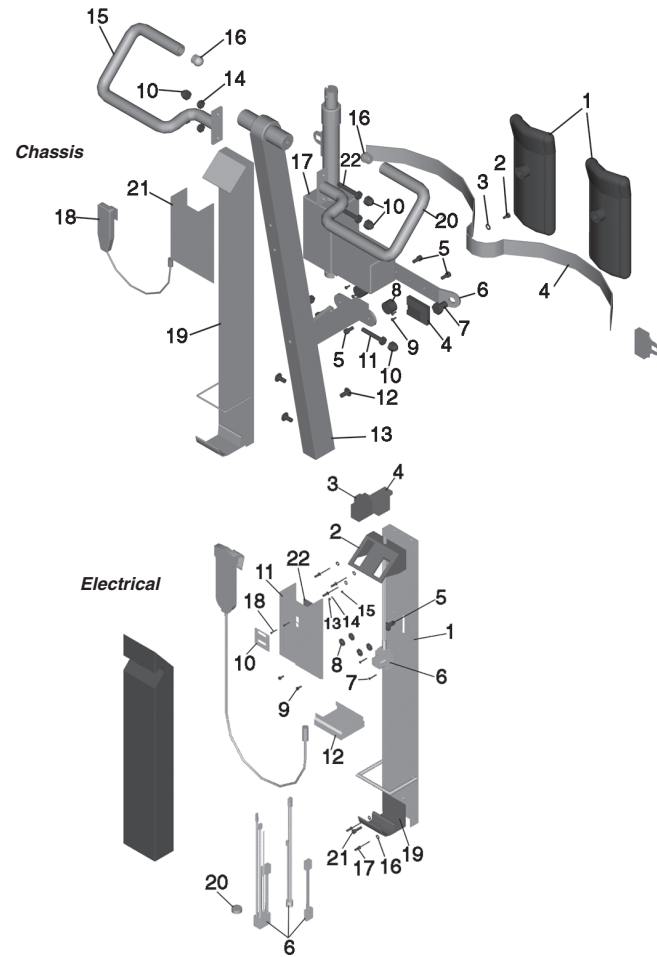
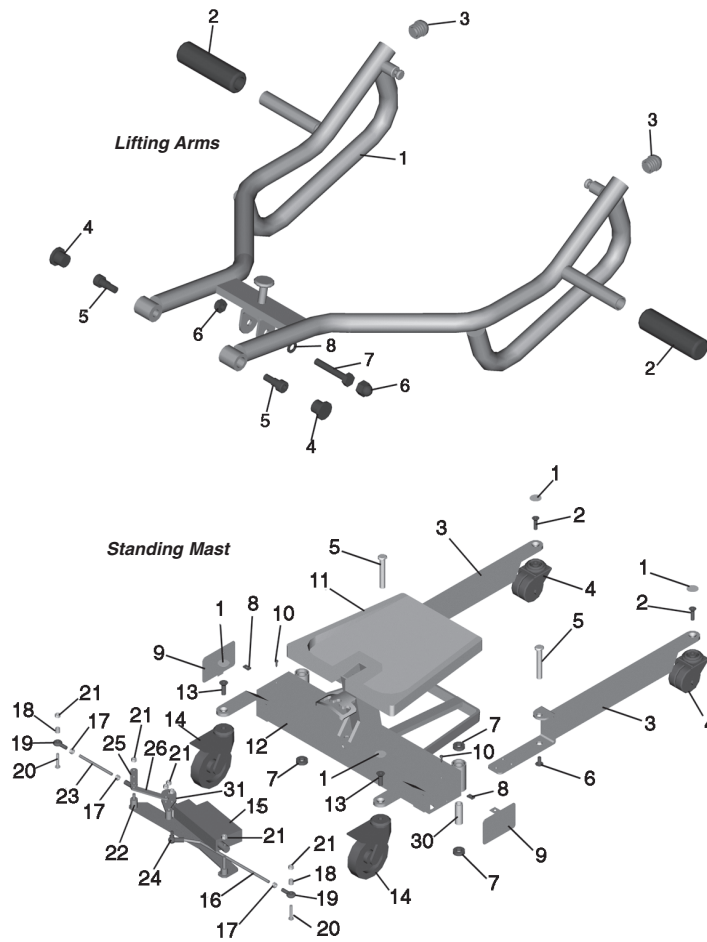


Sara 3000 by Arjo Huntleigh
BUY 11 GET 1 FREE!

Call For Pricing



Lifting Arms/Standing Mast/Chassis/Electrical								
Fig.	Description	ALCO Part No.	Fig.	Description	ALCO Part No.	Fig.	Description	ALCO Part No.
1	Lifting Arm	AL-73745	22	M10 x 60 Hexagon Bolt	AL-73774	27	M10 Lock Nut	AL-73802
2	Handgrip Flexigrip	AL-73746	N/S	Battery (not shown)	AL-73775	N/S	Trespa Footplate	AL-73803
3	Cap Round D – 25mm	AL-73747	1	Anti-slip Cover Disk	AL-73776	N/S	M12 Lock Nut	AL-73804
4	Cap Flat D – 22 mm	AL-73748	2	M10 x 35 Bolt Hex. Socket	AL-73777	30	Distance Bus (Low)	AL-73805
5	M10 x 12 x 12 Inside Head Bolt	AL-73749	3	Leg	AL-73778	31	Turning Plate El. Powered Chassis Adj.	AL-73806
6	Cap Disk SLW17	AL-73750	4	Castor D – 75 mm (Ral7001)	AL-73779	1	Back Plate	AL-73807
7	Bolt M10 x 75	AL-73751	5	Bolt Bearing	AL-73780	2	Switch Plate Molding	AL-73808
8	M10 Lock Washer	AL-73752	6	M10 x 20 Inside Head Screw/Bolt BK w/Flange	AL-73764	3	Emergency Switch	AL-73809
1	Excelsior Knee Support	AL-73753	7	M10 x 20 Inside Head Screw/Bolt BK w/Flange	AL-73782	4	Dual Control Switch	AL-73810
2	M6 x 12 Cylindrical Bolt	AL-73754	8	48 mm Speednut	AL-73783	5	M10 x 20 Hex. Socket	AL-73811
3	M6 x 25 Washer	AL-73755	9	Cover Plate Chassis Excelsior	AL-73784	6	Cable Loom	AL-73812
4	Leg Fixation Strap (2 Straps/Set)	AL-73756	10	Screw 48 mm x 19 mm Long	AL-73785	7	Bolt M3 x 20	AL-73813
5	M8 x 16 inside head bolt	AL-73757	11	Plastic Footplate	AL-73786	8	Washer D4.3 x 18 x 2	AL-73814
6	Knee Support Plate	AL-73758	12	Chassis	AL-73787	9	Bolt M4 x 10	AL-73815
7	M16 x 20 Bolt	AL-73759	13	M12 x 30 Inside Head VK	AL-73788	10	Life Counter Label	AL-73816
8	Silent Blocks	AL-73760	14	Castor D – 125 mm Braked	AL-73789	11	Electrical Cover	AL-73817
9	M4 x 8 Cylindrical Bolt	AL-73761	15	Actuator Linak 75 mm	AL-73790	12	Motor Control PCB	AL-73818
10	Cap Disk SLW17	AL-73762	16	Tie Bar (Bent)	AL-73791	13	Spacer	AL-73819
11	M10 x 40 Bolt	AL-73763	17	M8 Nut	AL-73792	14	Washer M2.5	AL-73820
12	M10 x 20 Inside Head Screw/Bolt BK w/Flange	AL-73764	18	Distance Bus Electric Spreading	AL-73793	15	Nut M2.5	AL-73821
13	Mast	AL-73765	19	M8 Bar Head (Bearing)	AL-73794	16	Washer M5	AL-73822
14	M10 Lock Nut	AL-73766	20	M8 x 40 Bolt	AL-73795	17	Pop Rivet 4.8 x 12	AL-73823
15	Handle Bar (Left)	AL-73767	21	M8 Lock Nut	AL-73796	18	Bolt M2.5 x 16VK	AL-73824
16	Cap Round D – 28 mm	AL-73768	22	Base Plate Electric Powered Chassis Adj.	AL-73797	19	Battery Locator Molding	AL-73825
17	Actuator Linak – 230 mm	AL-73769	23	Tie Bar (Straight)	AL-73798	20	Piezo Electric Speaker	AL-73826
18	Handset	AL-73770	24	Ball Joint M8 (Right)	AL-73799	21	Bolt M8 x 12	AL-73827
19	Compartment Unit – Battery – Electronics	AL-73771	25	Support El. Leg Adj. – Adjustment Part	AL-73800	22	Battery Discharge Indicator	AL-73828
20	Handle Bar (Right)	AL-73772	26	Support El. Leg Adj. – Pushing Part	AL-73801	N/S	Foam Rubber Strip (not shown)	AL-73829
21	Plastic Cover Electronics	AL-73773						